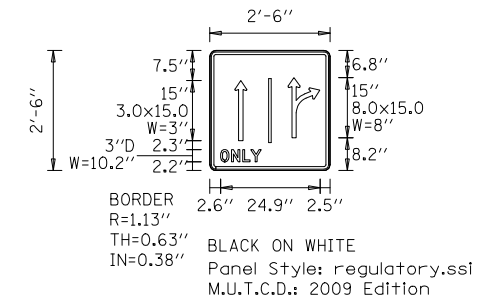
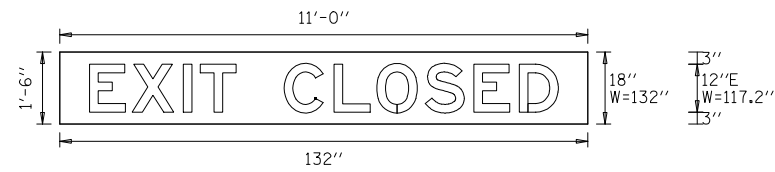


**SIGN 18T.02**



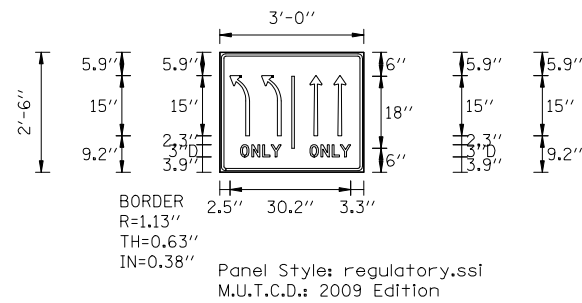
**SIGN 17T.03**

**SIGN 18T.03**

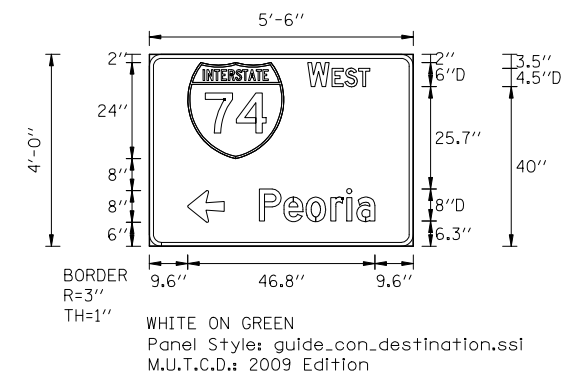


BLACK ON ORANGE  
Panel Style: box3.bsi  
M.U.T.C.D.: 2009 Edition

**SIGN 22.02-0.1 SIGN 21.14-0.1**



**SIGN 18T.05**



**SIGN 19T.01**

FILE NAME = D468620-sh1-sign15-gn.dgn	DESIGNED - HTL	REVISED -		<b>STATE OF ILLINOIS DEPARTMENT OF TRANSPORTATION</b>	<b>MAINTENANCE OF TRAFFIC SIGN DETAILS</b>	F.A.I. RTE.	SECTION	COUNTY	TOTAL SHEETS	SHEET NO.		
USER NAME = TERRA	DRAWN - HTL	REVISED -				90-[14R(14HB-4,14,14HB)BR]	TAZEWELL	2433	272	CONTRACT NO. 68620		
PLOT DATE = 7/16/2012	CHECKED - DA/LVA	REVISED -				SCALE:		SHEET NO. 13 OF 14 SHEETS	STA.	TO STA.	ILLINOIS FED. AID PROJECT	
DATE - 7/20/2012	REVISOR -	REVISED -				• 74 & 155						