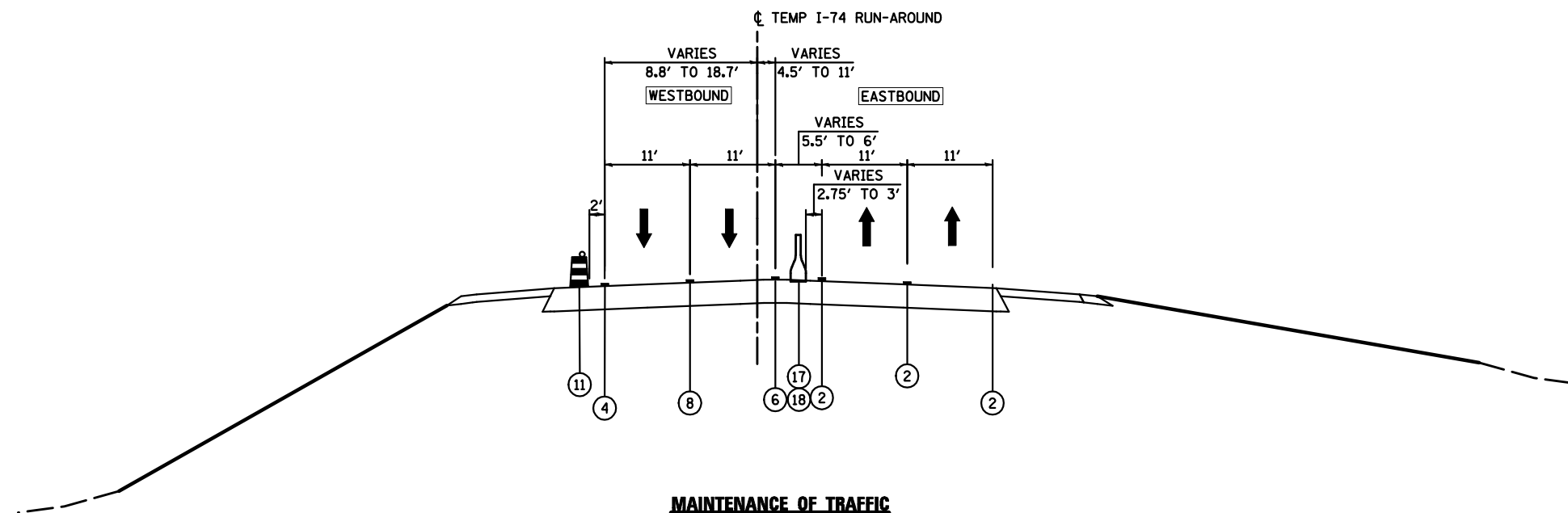


**MAINTENANCE OF TRAFFIC
TYPICAL SECTION STAGE 7A
I-74**




STA 517+80.78 TO STA 523+02.74 (STA 705+19.19 TEMP I-74 RUNAROUND)
STA 546+00.52 TO STA 552+00



**MAINTENANCE OF TRAFFIC
TYPICAL SECTION - STAGE 7A
TEMPORARY RUN-AROUND**

STA 705+19.19 TO STA 729+34.19 (STA 546+00.52 I-74)

LEGEND:

- ① EXISTING PAVEMENT MARKING
- ② TEMPORARY PAVEMENT MARKING FROM PREVIOUS STAGE
- ③ PROPOSED PAVEMENT MARKING IN PLACE
- ④ PAVEMENT MARKING, 4" SOLID WHITE
- ⑤ PAVEMENT MARKING, 8" SOLID WHITE
- ⑥ PAVEMENT MARKING, 4" SOLID YELLOW
- ⑦ PAVEMENT MARKING, 4" DOTTED WHITE (3' SKIP, 9' DASH)
- ⑧ PAVEMENT MARKING, 4" SKIP-DASH WHITE (30' SKIP, 10' DASH)
- ⑨ DRUMS WITH STEADY BURNING WARNING LIGHTS AT 25' CENTERS
- ⑩ DRUMS WITH STEADY BURNING WARNING LIGHTS AT 50' CENTERS
- ⑪ DRUMS WITH STEADY BURNING WARNING LIGHTS AT 100' CENTERS
- ⑫ DRUMS WITH STEADY BURNING WARNING LIGHTS 1000' CENTERS
- ⑬ PAVEMENT MARKING, 4" SOLID DOUBLE YELLOW
- ⑭ VERTICAL DELINEATOR PANELS
- ⑮ TEMPORARY GEOTEXTILE RETAINING WALL
- ⑯ PROPOSED CONCRETE BARRIER
- ⑰ TEMPORARY CONCRETE BARRIER
- ⑱ GLARE SCREEN
-  PROPOSED PAVEMENT CONSTRUCTION
-  TEMPORARY PAVEMENT CONSTRUCTION
-  ON-GOING EARTHWORK FOR PROPOSED PAVEMENT

FILE NAME =	DESIGNED - HTL	REVISED -
D468620-sh-typical02-07.dgn	DRAWN - KV	REVISED -
USER NAME = TERRA	CHECKED - DA/LVA	REVISED -
PLOT DATE = 7/16/2012	DATE - 7/20/2012	REVISED -



**STATE OF ILLINOIS
DEPARTMENT OF TRANSPORTATION**

MAINTENANCE OF TRAFFIC STAGE 7A - TYPICAL SECTIONS - I-74	
SCALE:	SHEET NO. 4 OF 11 SHEETS STA. TO STA.

F.A.I. RTE.	SECTION	COUNTY	TOTAL SHEETS	SHEET NO.
90-[14R(14HB-4,14,14HB)BR]	TAZEWELL	2433	874	
CONTRACT NO. 68620			ILLINOIS FED. AID PROJECT	