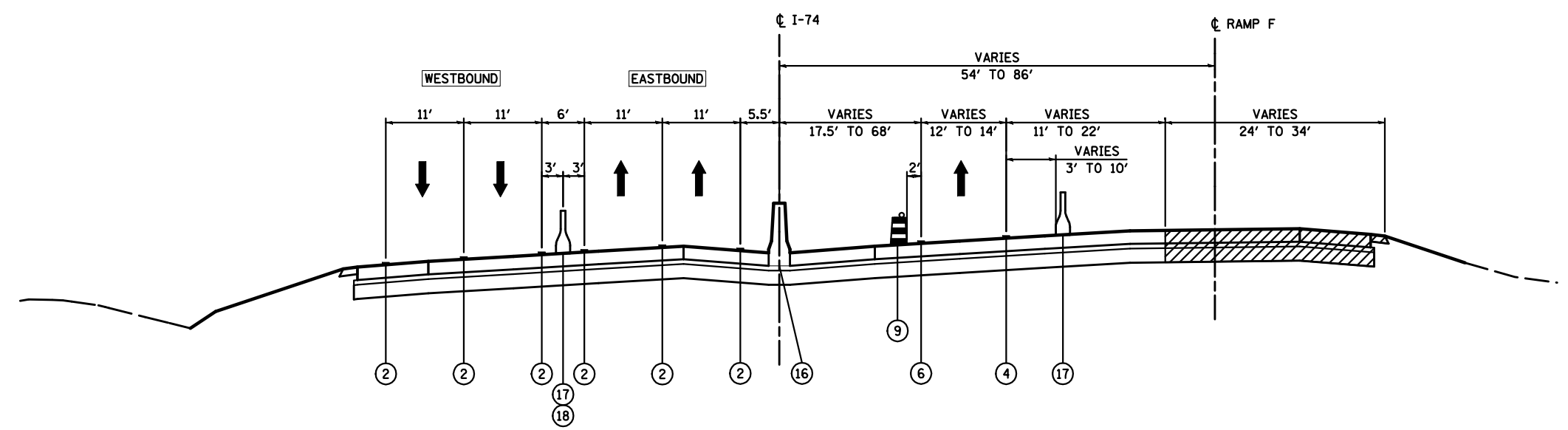


**MAINTENANCE OF TRAFFIC  
TYPICAL SECTION STAGE 12  
I-74**

STA 505+96.33 TO STA 517+80.78  
STA 552+00 TO STA 561+74.92



**MAINTENANCE OF TRAFFIC  
TYPICAL SECTION STAGE 12  
I-74**

STA 517+80.78 TO STA 526+81.48

- LEGEND:**
- ① EXISTING PAVEMENT MARKING
  - ② TEMPORARY PAVEMENT MARKING FROM PREVIOUS STAGE
  - ③ PROPOSED PAVEMENT MARKING IN PLACE
  - ④ PAVEMENT MARKING, 4" SOLID WHITE
  - ⑤ PAVEMENT MARKING, 8" SOLID WHITE
  - ⑥ PAVEMENT MARKING, 4" SOLID YELLOW
  - ⑦ PAVEMENT MARKING, 4" DOTTED WHITE (3' SKIP, 9' DASH)
  - ⑧ PAVEMENT MARKING, 4" SKIP-DASH WHITE (30' SKIP, 10' DASH)
  - ⑨ DRUMS WITH STEADY BURNING WARNING LIGHTS AT 25' CENTERS
  - ⑩ DRUMS WITH STEADY BURNING WARNING LIGHTS AT 50' CENTERS
  - ⑪ DRUMS WITH STEADY BURNING WARNING LIGHTS AT 100' CENTERS
  - ⑫ DRUMS WITH STEADY BURNING WARNING LIGHTS 1000' CENTERS
  - ⑬ PAVEMENT MARKING, 4" SOLID DOUBLE YELLOW
  - ⑭ VERTICAL DELINEATOR PANELS
  - ⑮ TEMPORARY GEOTEXTILE RETAINING WALL
  - ⑯ PROPOSED CONCRETE BARRIER
  - ⑰ TEMPORARY CONCRETE BARRIER
  - ⑱ GLARE SCREEN
  - ▨ PROPOSED PAVEMENT CONSTRUCTION
  - ▩ TEMPORARY PAVEMENT CONSTRUCTION
  - ⊞ ON-GOING EARTHWORK FOR PROPOSED PAVEMENT

FILE NAME = D468620-sh-typical01-12.dgn	DESIGNED - HTL	REVISED -		<b>STATE OF ILLINOIS DEPARTMENT OF TRANSPORTATION</b>	<b>MAINTENANCE OF TRAFFIC STAGE 12 - TYPICAL SECTIONS - I-74</b>	F.A.I. SECTION COUNTY TOTAL SHEETS SHEET NO.	
USER NAME = TERRA	DRAWN - KV/JP	REVISED -				• 90-[14R(14HB-4,14,14HB)BR]	TAZEWELL 2433 1873
PLOT DATE = 7/16/2012	CHECKED - DA/LVA	REVISED -				CONTRACT NO. 68620	
DATE - 7/20/2012	REVISED -	SCALE: SHEET NO. 3 OF 13 SHEETS STA. TO STA.				ILLINOIS FED. AID PROJECT	