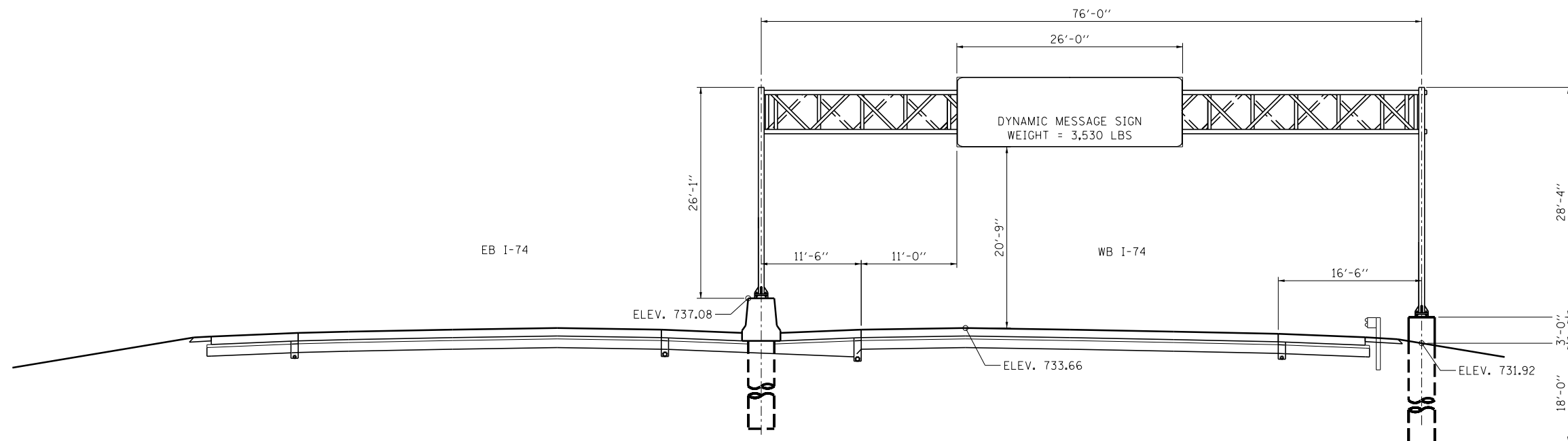


PROPOSED SIGN TRUSS
WB I-74 STA 482 + 66.50
STR 4S0901074L100.0
(LOOKING WEST)



PROPOSED SIGN TRUSS
WB I-74 STA 495 + 10.00
STR 4S0901074L100.3
(LOOKING WEST)

benesch
 engineers · scientists · planners
 Alfred Benesch & Company
 205 North Michigan Avenue, Suite 2400
 Chicago, Illinois 60601
 312-565-0450 Job No. 10056

FILE NAME =
 xxxxxx_68620_28.spl.dgn

USER NAME = mbecker
 PLOT SCALE =
 PLOT DATE = 7/16/2012

DESIGNED - MFB
 CHECKED - KJN
 DRAWN - MFB
 CHECKED - KJN

REVISED -
 REVISED -
 REVISED -
 REVISED -

STATE OF ILLINOIS
DEPARTMENT OF TRANSPORTATION

SIGN PANEL PLACEMENT
OVERHEAD SIGN STRUCTURES

SHEET NO. SS28 OF SS32 SHEETS

F.A.I. RTE.	SECTION	COUNTY	TOTAL SHEETS	SHEET NO.
74	90-[14R;14HB-4,14,14HVB]BR	TAZEWELL	2433	1648
CONTRACT NO. 68620				

ILLINOIS FED. AID PROJECT