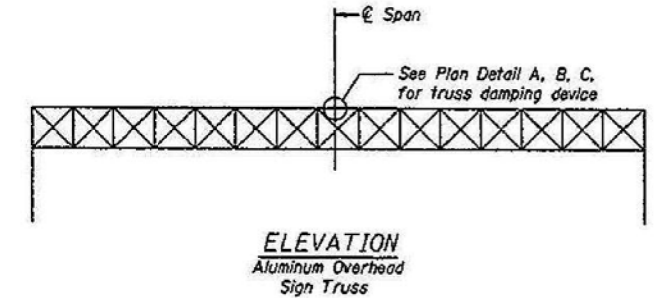
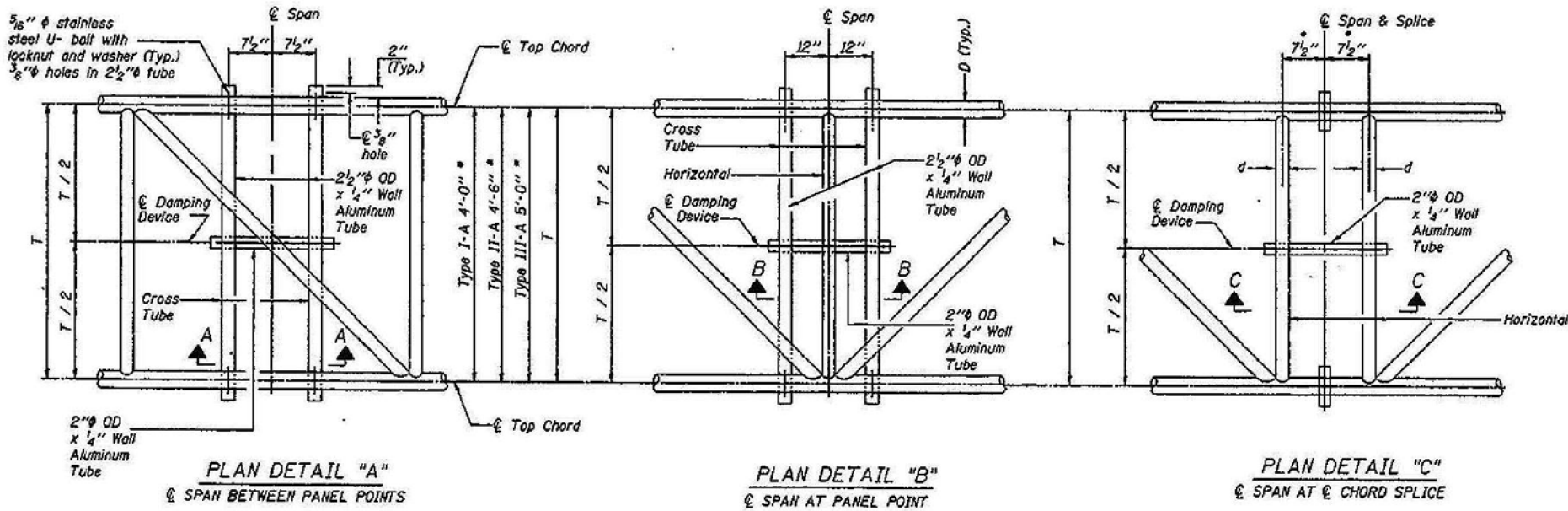


F.A.I. RTE.	SECTION	COUNTY	TOTAL SHEETS	SHEET NO.
74	D4 I-74 ITS SYSTEM-1	PEORIA & TAZEWELL	98	30
STA. TO STA.		ILLINOIS FED. AID PROJECT		
FED. ROAD DIST. NO.		ILLINOIS FED. AID PROJECT		

FOR INFORMATION ONLY

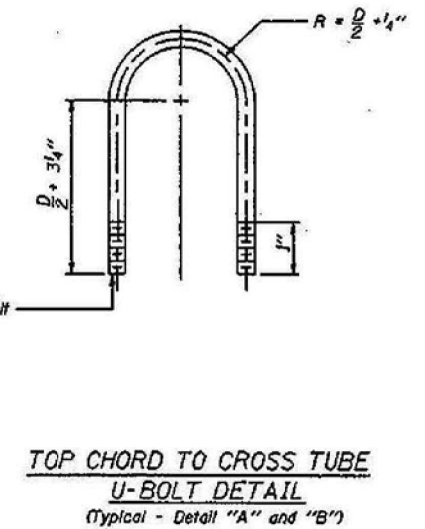
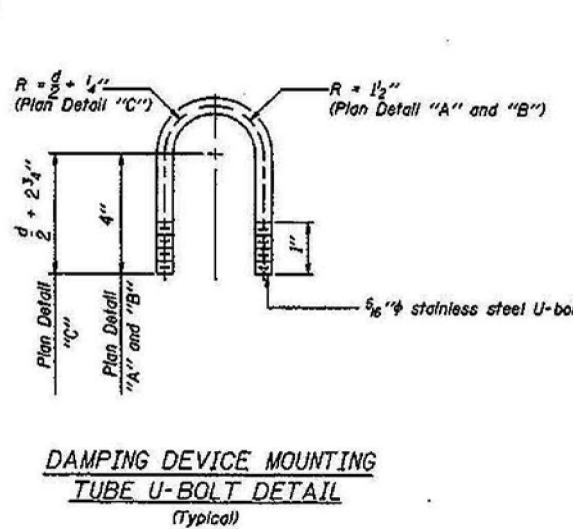
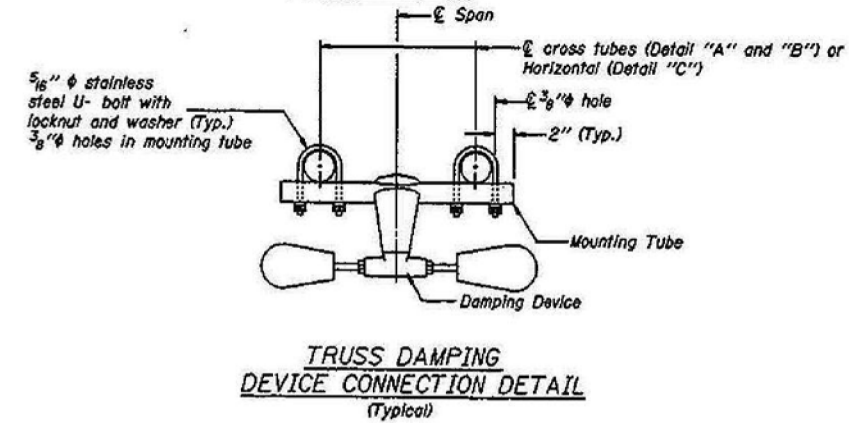
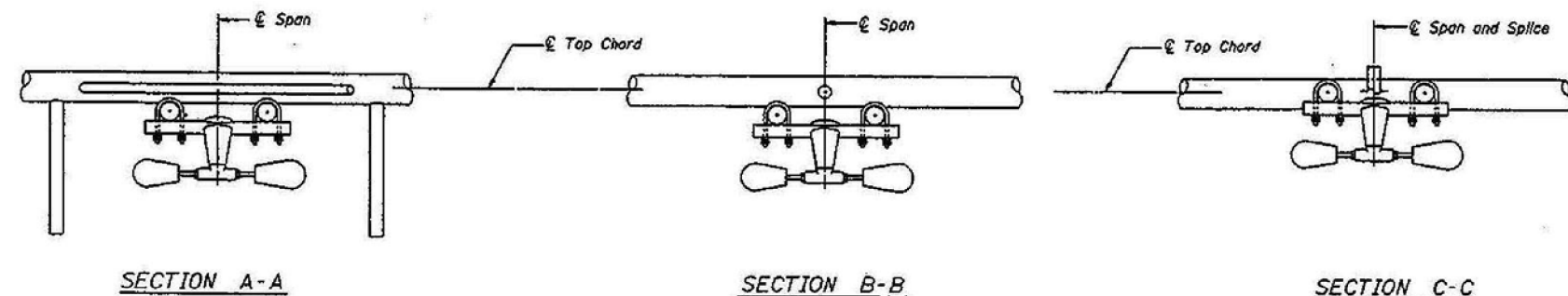
\* Center of horizontal to center of splice dimension may vary. Verify before drilling holes in mounting tube.



**NOTES**

Damper: One damper per truss.  
(31 lbs. Stockbridge-Type Aluminum)  
Cost included in "Overhead Sign Structure..."

Materials: Aluminum tubes shall be ASTM B221 alloy 6061 temper T6. Cost included in "Overhead Sign Structure..."



ITS SHEET 30 OF 98

**OVERHEAD SIGN STRUCTURE DAMPING DEVICE**

ILLINOIS DEPARTMENT OF TRANSPORTATION  
F.A.I. 74  
D4 I-74 ITS SYSTEM-1  
PEORIA & TAZEWELL COUNTIES

10/14/02  
**EDWARDS AND KELCEY**

DESIGNED	TCG
CHECKED	AJN
DRAWN	ABW
CHECKED	TCG

OS-A-D 7/1/2001