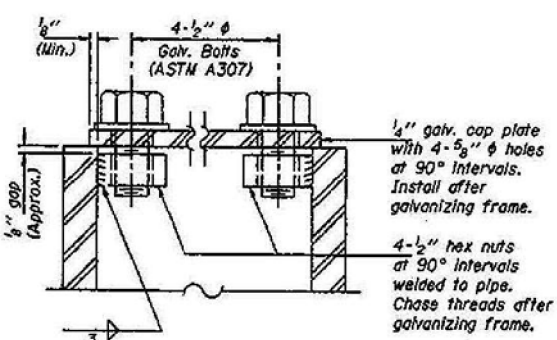
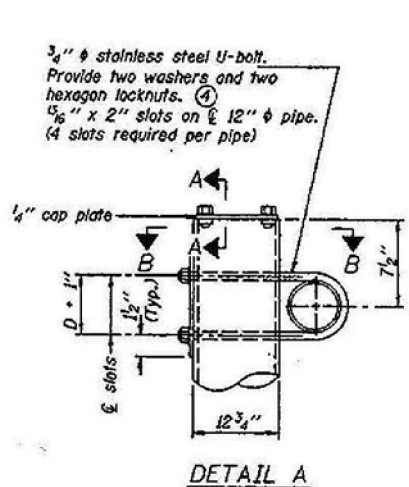
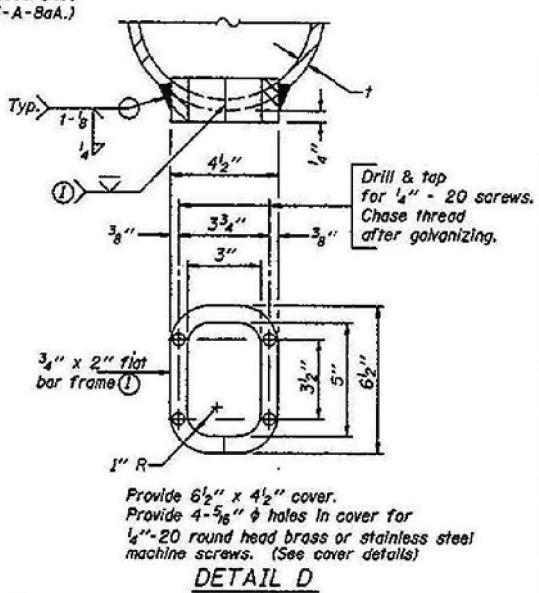
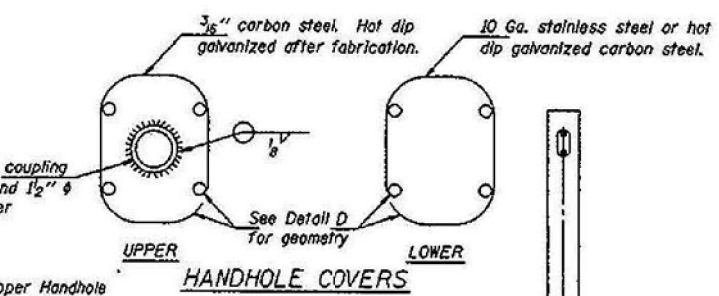
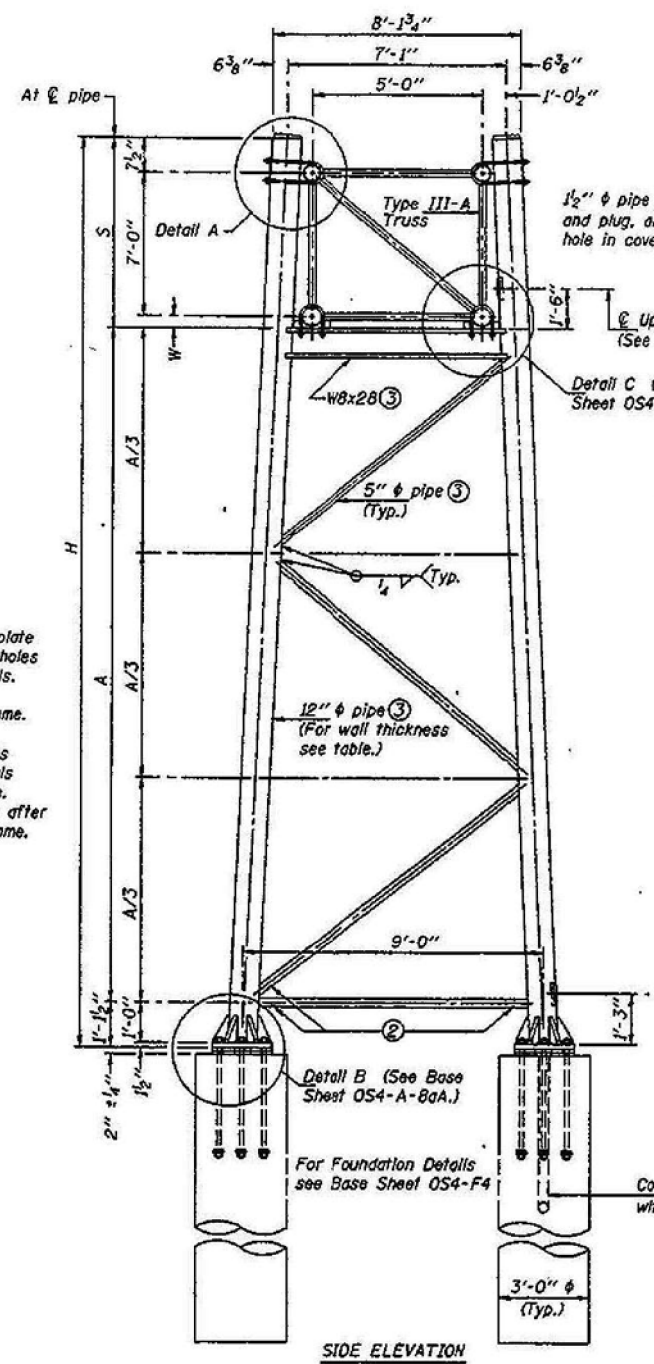
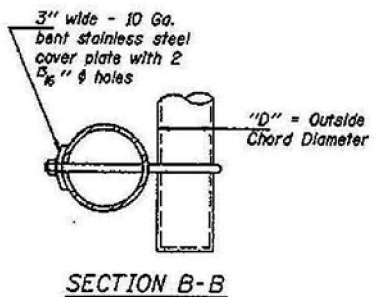


FOR INFORMATION ONLY



SECTION A-A
As an alternate to bolts, may use galvanized drive-fit caps installed after galvanizing frame.



Dimensions		
Truss Chord Nominal Dia.	W	S
7"	4 3/4"	8'-0 1/4"
8 1/2"	5 1/2"	8'-1"
9"	5 3/4"	8'-1 1/4"

Support Design Loads: See Base Sheet OS-A-1 for design and loading criteria.
Load combinations checked include deadload plus:
a) 100% wind normal to sign, 20% parallel to sign
b) 60% wind normal to sign, 30% parallel to sign

- In lieu of fabricated handhole frame as shown, may cut from 2" plate (rolling direction vertical). All cut faces to be ground to ANSI Roughness of 500 4 in or less.
- Galvanizing vent holes of adequate size shall be provided on underside at each end of bracing pipes. Alternately, holes may be provided in wall of pipe column. All vent holes shall be drilled and de-burred. (Typ.)
- Steel pipe, plate, carbon steel handhole covers and rolled sections shall be hot dip galvanized after fabrication. Painting is not permitted. See Base Sheet OS-A-1.
- See General Notes for fasteners.
- Dimensions shown are based on selection criteria in the Sign Structures Manual. Nonstandard applications must have dimensions verified or amended as appropriate.

Structure Number	Station	Support		Pipe Wall Thickness	H	A
		Left	Right			
450901074R10L3	495+00	X		.33	26.62	17.47
			X	.33	26.53	17.39
450721074L083.5	166+25	X		.33	25.57	16.42
			X	.33	25.78	16.63

ITS SHEET 31 OF 98

OVERHEAD SIGN STRUCTURES
SUPPORT FRAME for
TYPE III-A ALUMINUM TRUSS

ILLINOIS DEPARTMENT OF TRANSPORTATION
F.A.I. 74
D4 I-74 ITS SYSTEM-1
PEORIA & TAZEWELL COUNTIES

10/14/02

EDWARDS AND KELCEY

DESIGNED	TCG
CHECKED	AJN
DRAWN	ABW
CHECKED	TCG

OS4-A-8a 7/1/2001

NUMBER	REVISION	DATE

TRUSS SUPPORT DETAILS
(12" φ Pipe-Type III-A Truss)

PRINTED: 10/12/02

pn:\01019201\its f.mal design\structural\dms\submit\10-14-02\os4a\OS4-A-8a.dgn