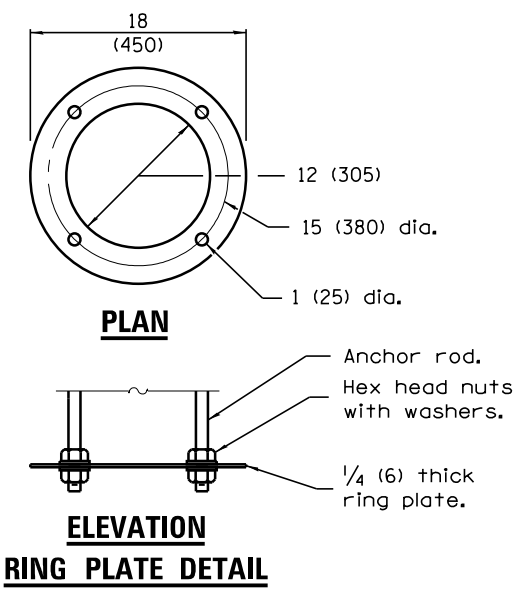
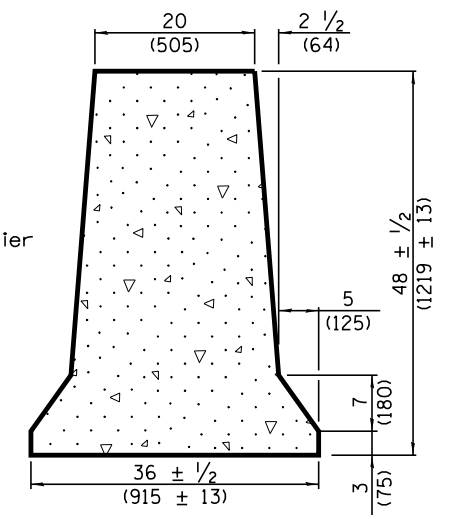
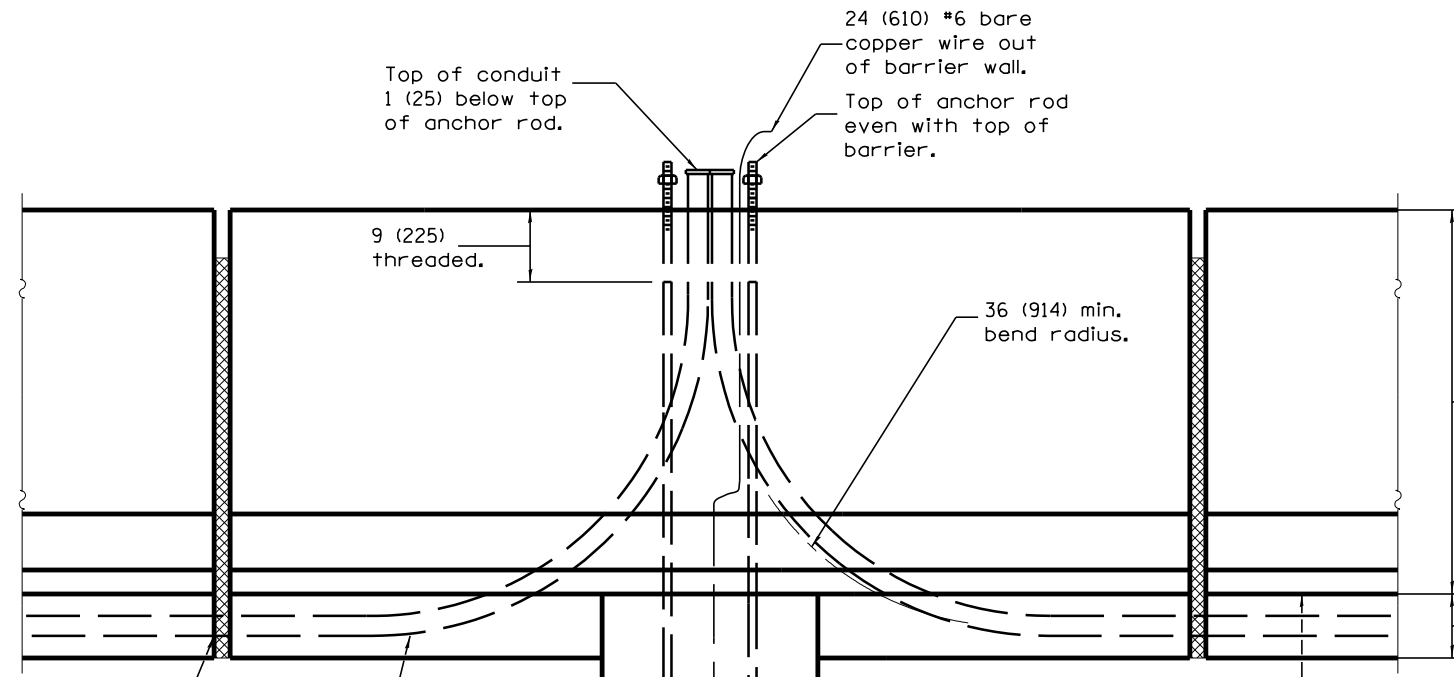
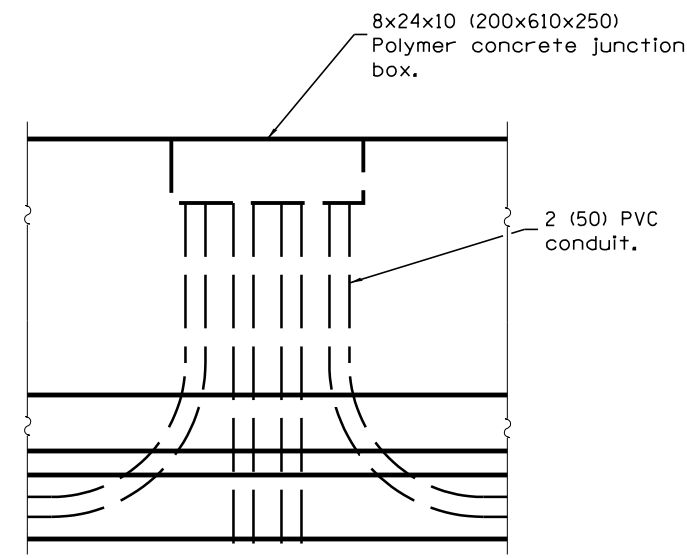
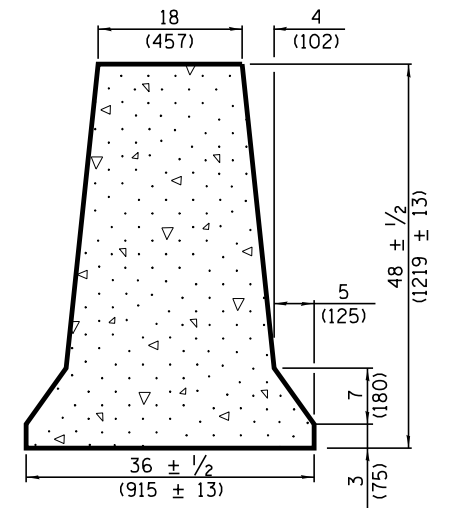
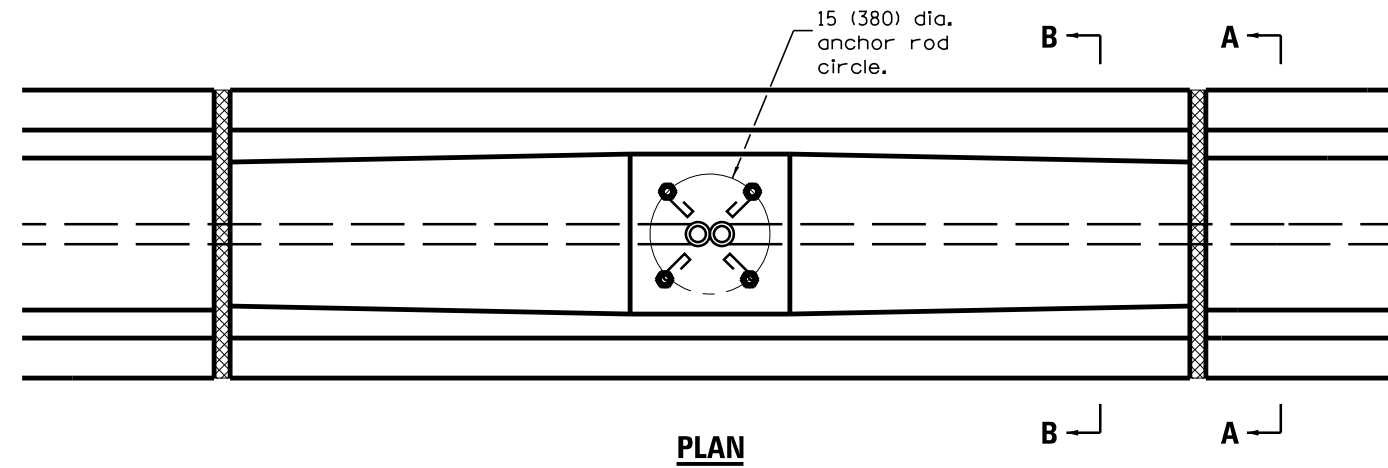


FOUNDATION TABLE				
LIGHT POLE MOUNTING HEIGHT	SHAFT DIAMETER	SHAFT DEPTH	ANCHOR ROD LENGTH (1)	ANCHOR ROD CIRCLE DIA.
≤30' (9.1 m)	24 (610)	36 (914)	6'-6" (1.98 m)	11 1/2 (292)
31'-35' (9.4 m - 10.7 m)	24 (610)	3'-6" (1.06 m)	7'-0" (2.13 m)	11 1/2 (292)
36'-40' (10.9 m - 12.2 m)	30 (762)	4'-0" (1.22 m)	7'-6" (2.29 m)	15 (381)
41'-45' (12.5 m - 13.7 m)	30 (762)	4'-6" (1.37 m)	8'-0" (2.44 m)	15 (381)
46'-50' (14.0 m - 15.2 m)	30 (762)	5'-0" (1.52 m)	8'-6" (2.59 m)	15 (381)

(1) Length does not include 4 (100) hook.



GENERAL NOTES

See standard 637006 for barrier wall details

All dimensions are in inches (millimeters) unless otherwise shown.

FILE NAME =	DESIGNED - BENESCH	REVISED -		STATE OF ILLINOIS DEPARTMENT OF TRANSPORTATION	LIGHT POLE FOUNDATION, SPECIAL INTEGRAL WITH 48" BARRIER	F.A.I. RTE.	SECTION	COUNTY	TOTAL SHEETS	SHEET NO.
...ND468620-shit-Lighting-Details-LightPoleFound	DRAWN - NLH	REVISED -				90-114R(14HB-4,14,14HVB)BR	TAZEWELL	2433	1821	
USER NAME = tblank	CHECKED - GHT	REVISED -				CONTRACT NO. 68620				
PLOT DATE = 9/5/2012	DATE - JULY 20, 2012	REVISED -				ILLINOIS FED. AID PROJECT				
SCALE:						SHEET NO.106 OF 138 SHEETS	STA.	TO STA.		