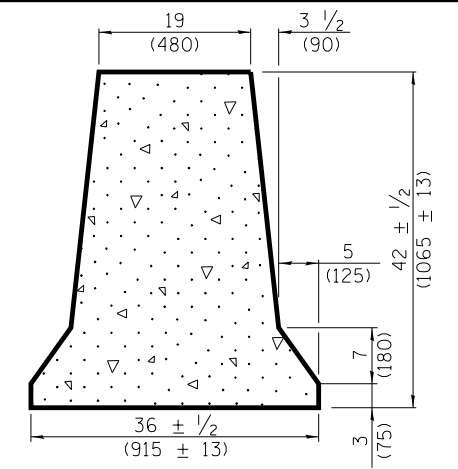
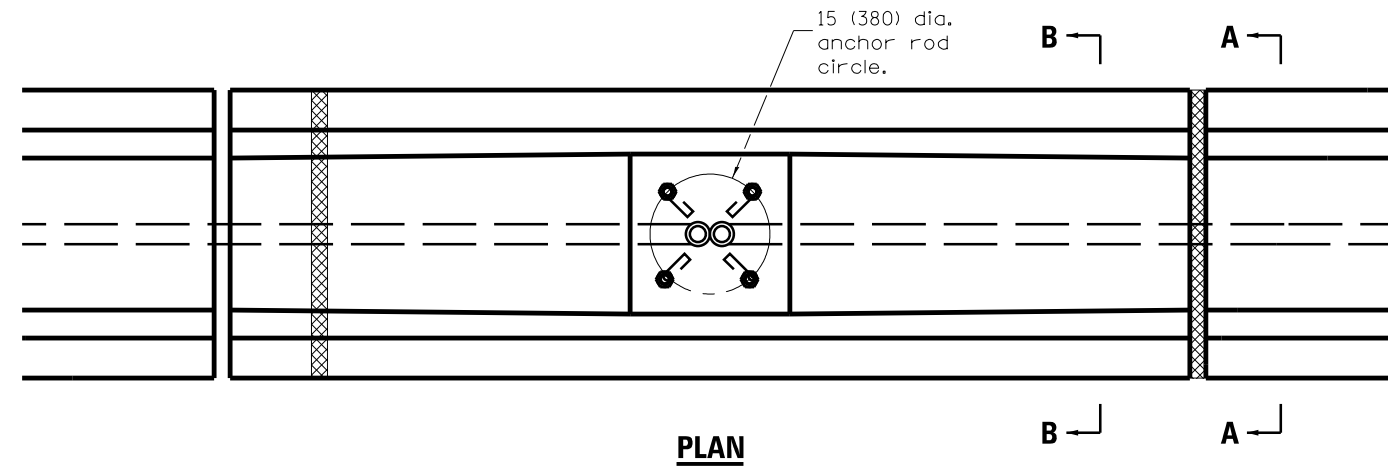
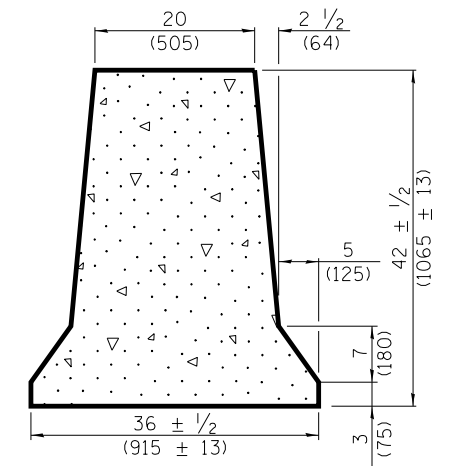
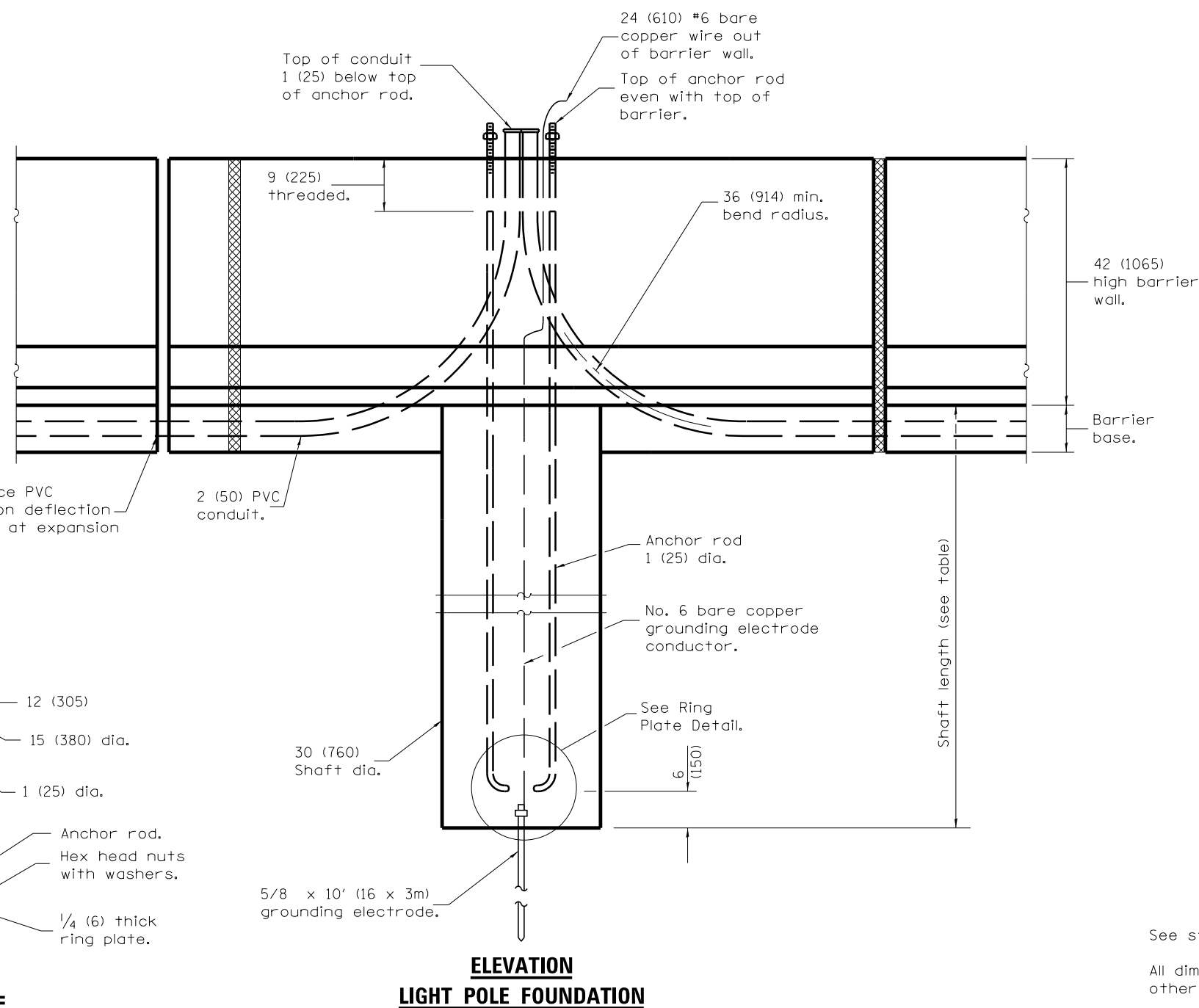


| FOUNDATION TABLE | | | | |
|----------------------------|----------------|-------------|-----------------------|------------------------|
| LIGHT POLE MOUNTING HEIGHT | SHAFT DIAMETER | SHAFT DEPTH | ANCHOR ROD LENGTH (1) | ANCHOR ROD CIRCLE DIA. |
| <30' | 24 | 36 | 6'-0" | 11 1/2 |
| (9.1 m) | (610) | (914) | (1.83 m) | (292) |
| 31'-35' | 24 | 3'-6" | 6'-6" | 11 1/2 |
| (9.4 m - 10.7 m) | (610) | (1.06 m) | (1.98 m) | (292) |
| 36'-40' | 30 | 4'-0" | 7'-0" | 15 |
| (10.9 m - 12.2 m) | (762) | (1.22 m) | (2.13 m) | (381) |
| 41'-45' | 30 | 4'-6" | 7'-6" | 15 |
| (12.5 m - 13.7 m) | (762) | (1.37 m) | (2.29 m) | (381) |
| 46'-50' | 30 | 5'-0" | 8'-0" | 15 |
| (14.0 m - 15.2 m) | (762) | (1.52 m) | (2.44 m) | (381) |

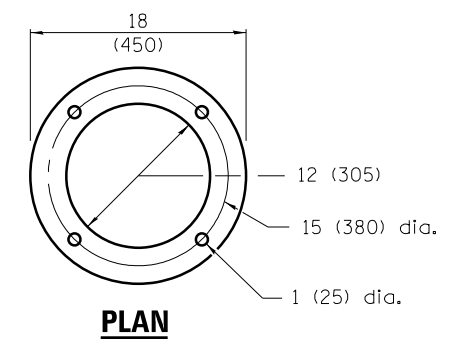
(1) Length does not include 4 (100) hook.



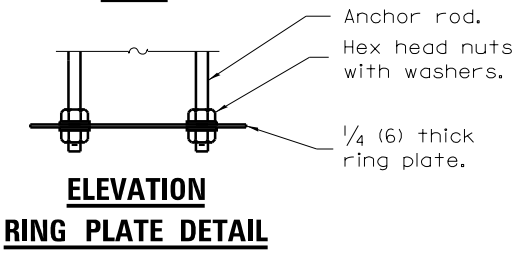
SECTION A-A



SECTION B-B



PLAN



ELEVATION

RING PLATE DETAIL

GENERAL NOTES

See standard 637006 for barrier wall details
 All dimensions are in inches (millimeters) unless otherwise shown.

| | | | | | | | | | | |
|---|----------------------|-----------|--|---|---|----------------------------|----------|---------|--------------|-----------|
| FILE NAME = | DESIGNED - BENESCH | REVISED - | | STATE OF ILLINOIS DEPARTMENT OF TRANSPORTATION | LIGHT POLE FOUNDATION, SPECIAL INTEGRAL WITH 42" BARRIER | F.A.I. RT. | SECTION | COUNTY | TOTAL SHEETS | SHEET NO. |
| ...D468620-sh-1-Lighting-Details-LightPoleFound | DRAWN - NLH | REVISED - | | | | 90-114R(14HB-4,14,14HVB)BR | TAZEWELL | 2433 | 1822 | |
| USER NAME = tblank | CHECKED - GHT | REVISED - | | | | CONTRACT NO. 68620 | | | | |
| PLOT DATE = 9/5/2012 | DATE - JULY 20, 2012 | REVISED - | | | | ILLINOIS FED. AID PROJECT | | | | |
| SCALE: | | | | | | SHEET NO.107 OF 138 SHEETS | STA. | TO STA. | | |