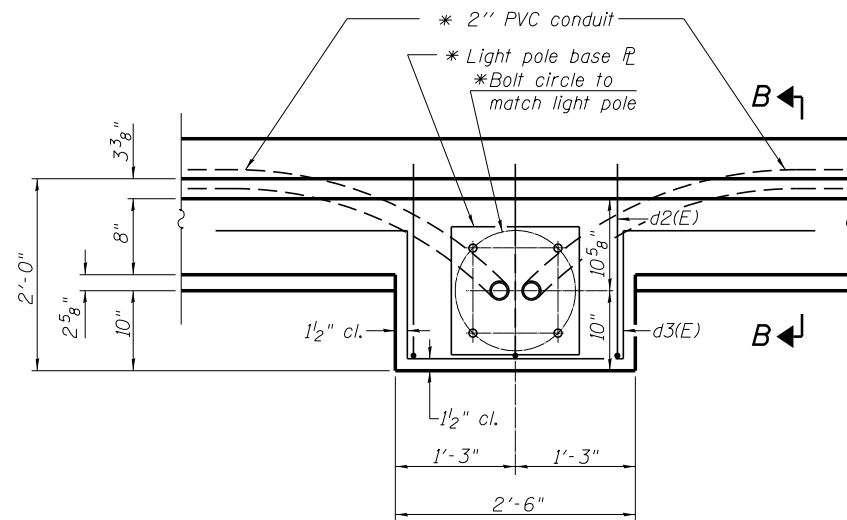


NEAR PIER

NEAR MIDSPAN

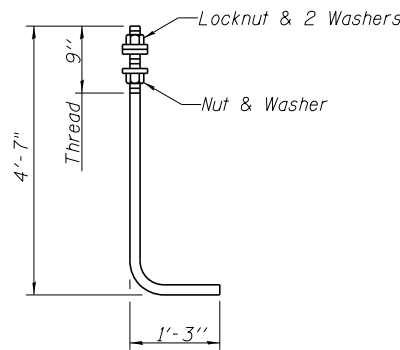
CROSS SECTION

(Looking Upstation)
(SB shown, NB opposite hand)



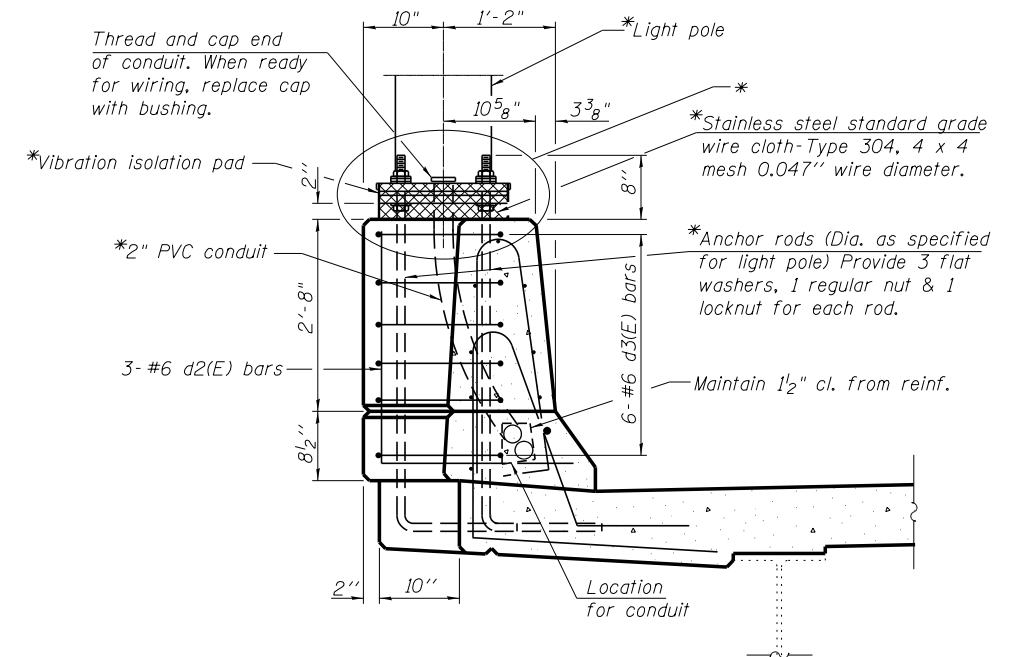
PLAN

Note:
Cost of anchor rods and conduit is included with Concrete Superstructure.



ANCHOR ROD

*Diameter as specified for light poles.
(ASTM F 1554 Grade 105)



SECTION B-B

*See Lighting plans



Alfred Benesch & Company
205 North Michigan Avenue, Suite 2400
Chicago, Illinois 60601
312-565-0450 Job No. 10056

FILE NAME =	0900165.68620.13.dkdt1.dgn
USER NAME =	mbecker
PLOT SCALE =	
PLOT DATE =	7/16/2012

DESIGNED -	MFB	REVISED -	
CHECKED -	MRB	REVISED -	
DRAWN -	PRT	REVISED -	
CHECKED -	MRB	REVISED -	

STATE OF ILLINOIS
DEPARTMENT OF TRANSPORTATION

SUPERSTRUCTURE DETAILS 1 OF 2
STRUCTURE NO. 090-0165 / 0166

SHEET NO. SA13 OF SA47 SHEETS

F.A.I. RTE.	SECTION	COUNTY	TOTAL SHEETS	SHEET NO.
74	90-[14R(14HB-4,14,14HVB)BR]	TAZEWELL	2433	1877
CONTRACT NO. 68620			ILLINOIS FED. AID PROJECT	