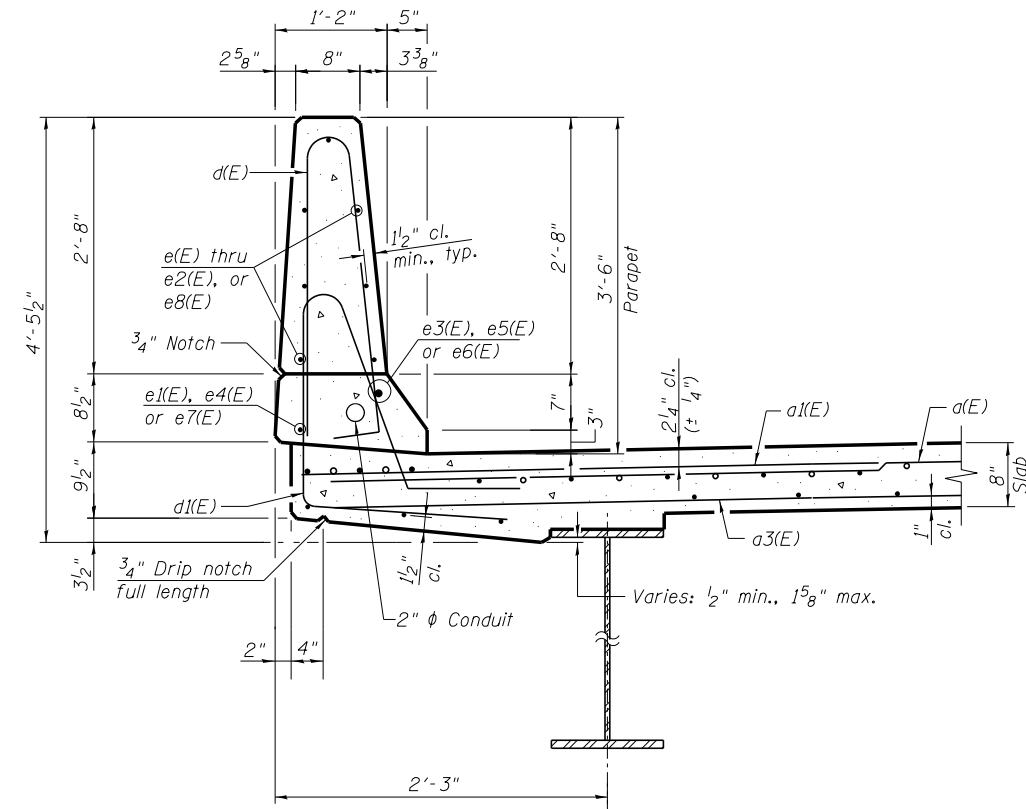
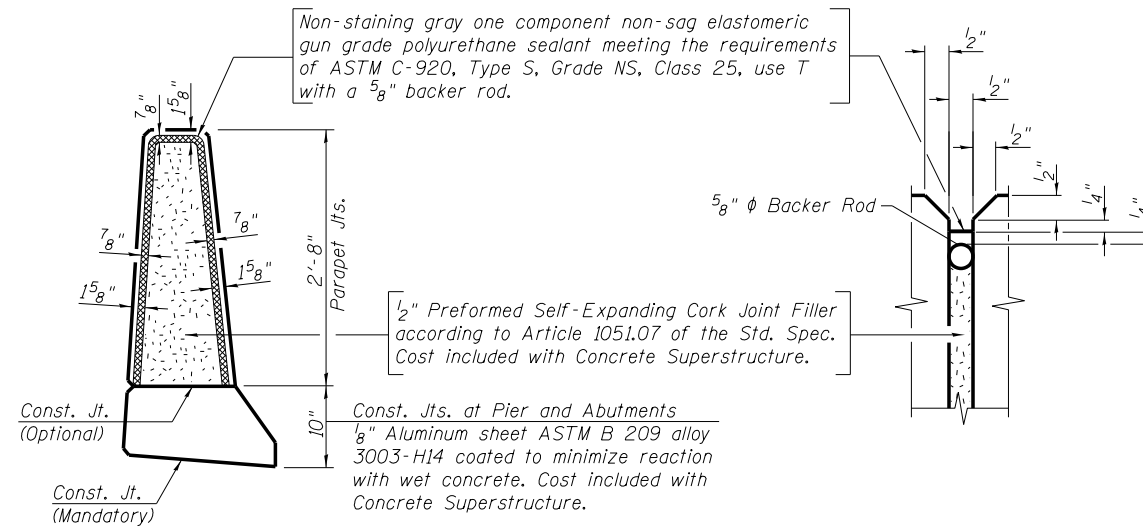


INSIDE ELEVATION OF PARAPET
(4 Thus)



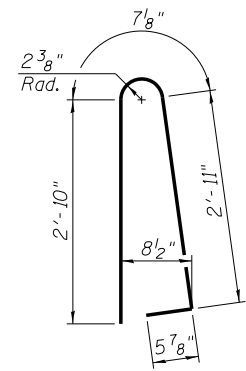
SECTION THRU PARAPET



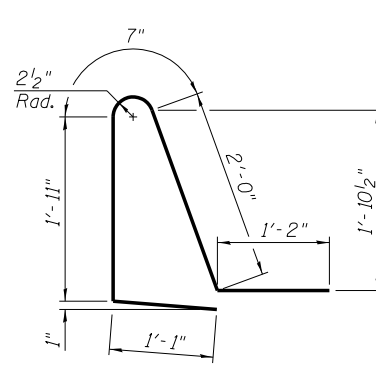
PARAPET JOINT DETAILS

MINIMUM BAR LAP

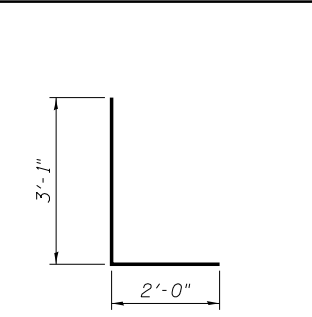
(Parapet)
#4 bar = 2'-0"
#8 bar = 5'-2"



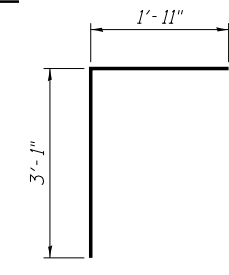
BAR d(E)



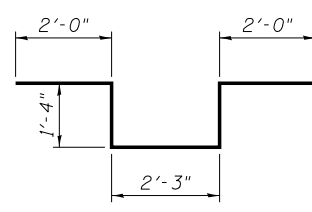
BAR d1(E)



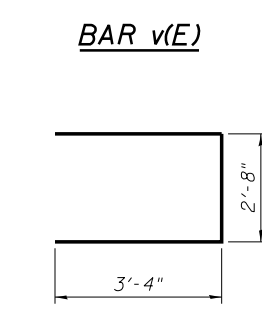
BAR d2(E)



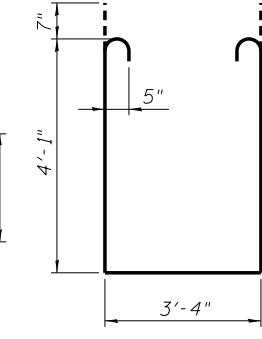
BAR v(E)



BAR d3(E)



BAR s(E)



BAR s1(E)

**SUPERSTRUCTURE
BILL OF MATERIAL
(TWO DECKS)**

Bar	No.	Size	Length	Shape
a(E)	1002	#5	33'-6"	—
a1(E)	2004	#6	6'-6"	—
a2(E)	8	#6	36'-6"	—
a3(E)	614	#5	33'-0"	—
b(E)	592	#5	31'-6"	—
b1(E)	210	#6	25'-9"	—
b2(E)	540	#5	28'-6"	—
d(E)	1004	#5	6'-10"	⌋
d1(E)	1004	#5	6'-9"	⌋
d2(E)	6	#6	5'-1"	⌋
d3(E)	12	#6	8'-11"	⌋
e(E)	168	#4	16'-6"	—
e1(E)	64	#4	18'-8"	—
e2(E)	112	#4	17'-8"	—
e3(E)	16	#8	29'-3"	—
e4(E)	16	#4	27'-0"	—
e5(E)	8	#8	18'-8"	—
e6(E)	16	#8	26'-6"	—
e7(E)	16	#4	24'-0"	—
e8(E)	28	#4	17'-11"	—
m(E)	16	#6	36'-11"	—
m1(E)	48	#6	7'-9"	—
m2(E)	24	#6	2'-2"	—
m3(E)	60	#5	4'-0"	—
s(E)	152	#5	9'-4"	⌋
s1(E)	120	#5	12'-8"	⌋
v(E)	140	#5	5'-0"	⌋
Concrete Superstructure	Cu. Yd.		595.7	
Reinforcement Bars, Epoxy Coated	Pound		146,760	

Bars indicated thus 1x4-#4 etc. indicate 1 lines of bars with 4 lengths per line.