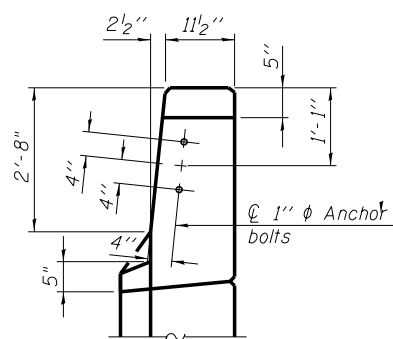
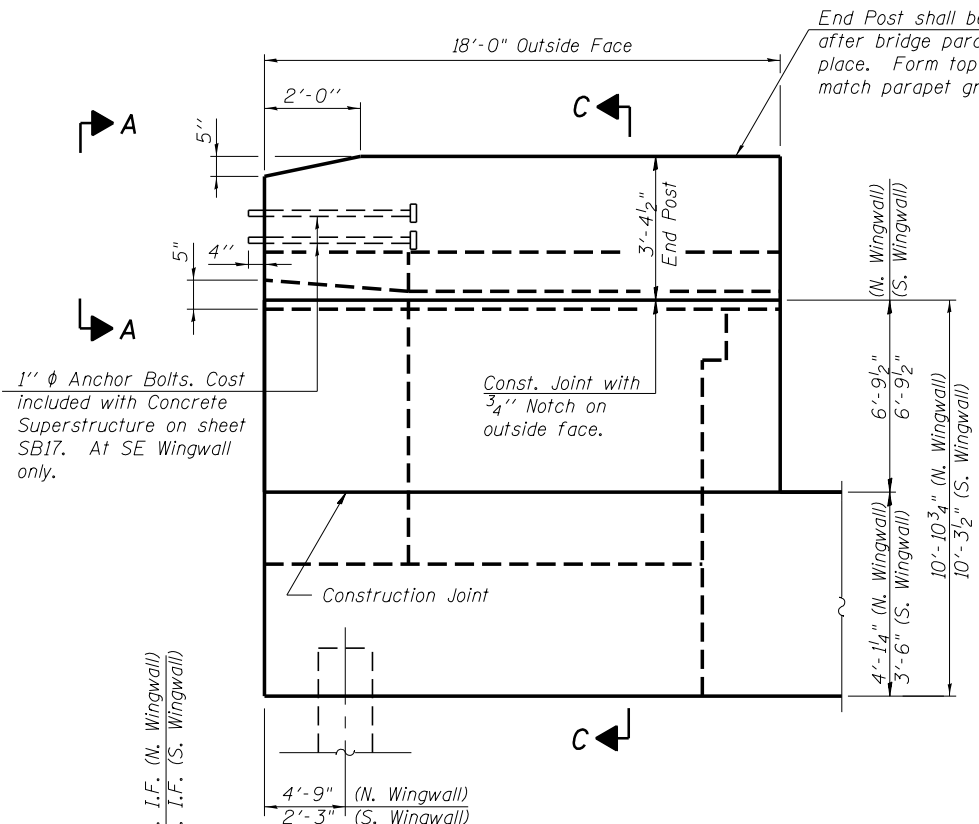


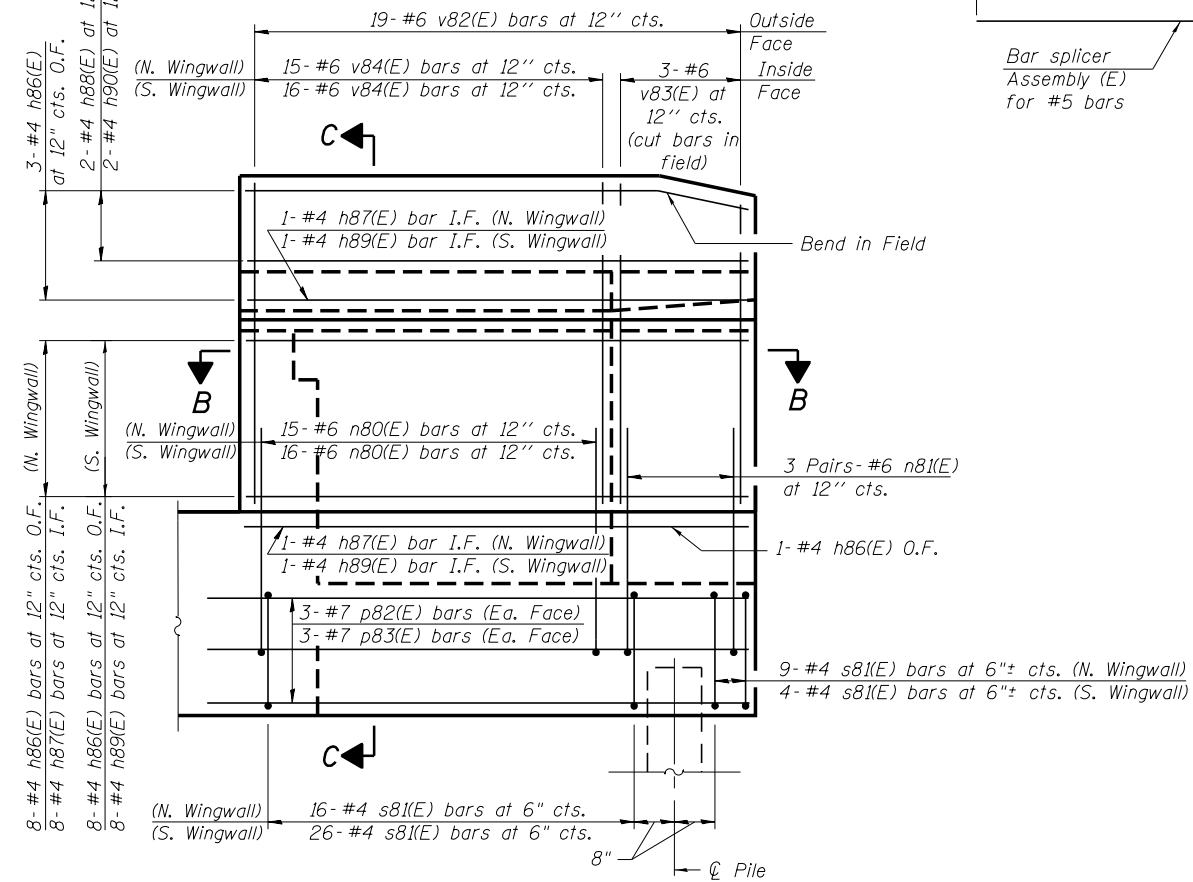
SECTION C-C



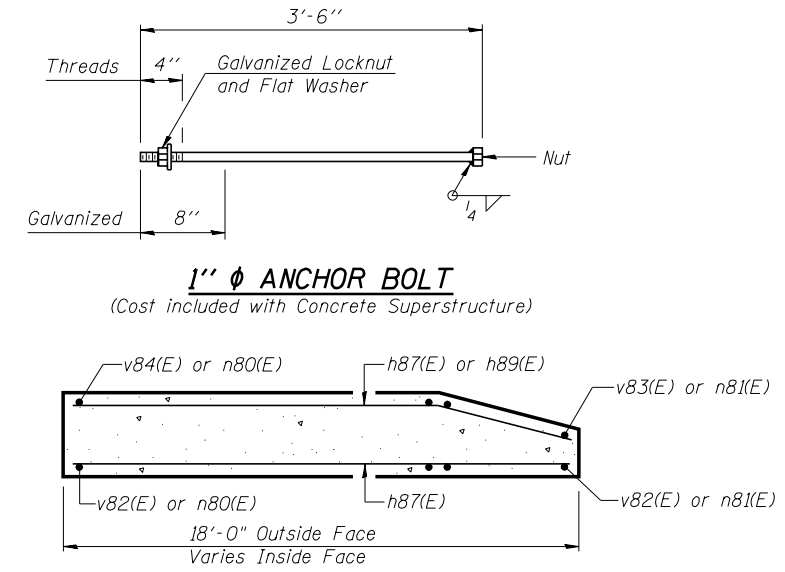
VIEW A-A



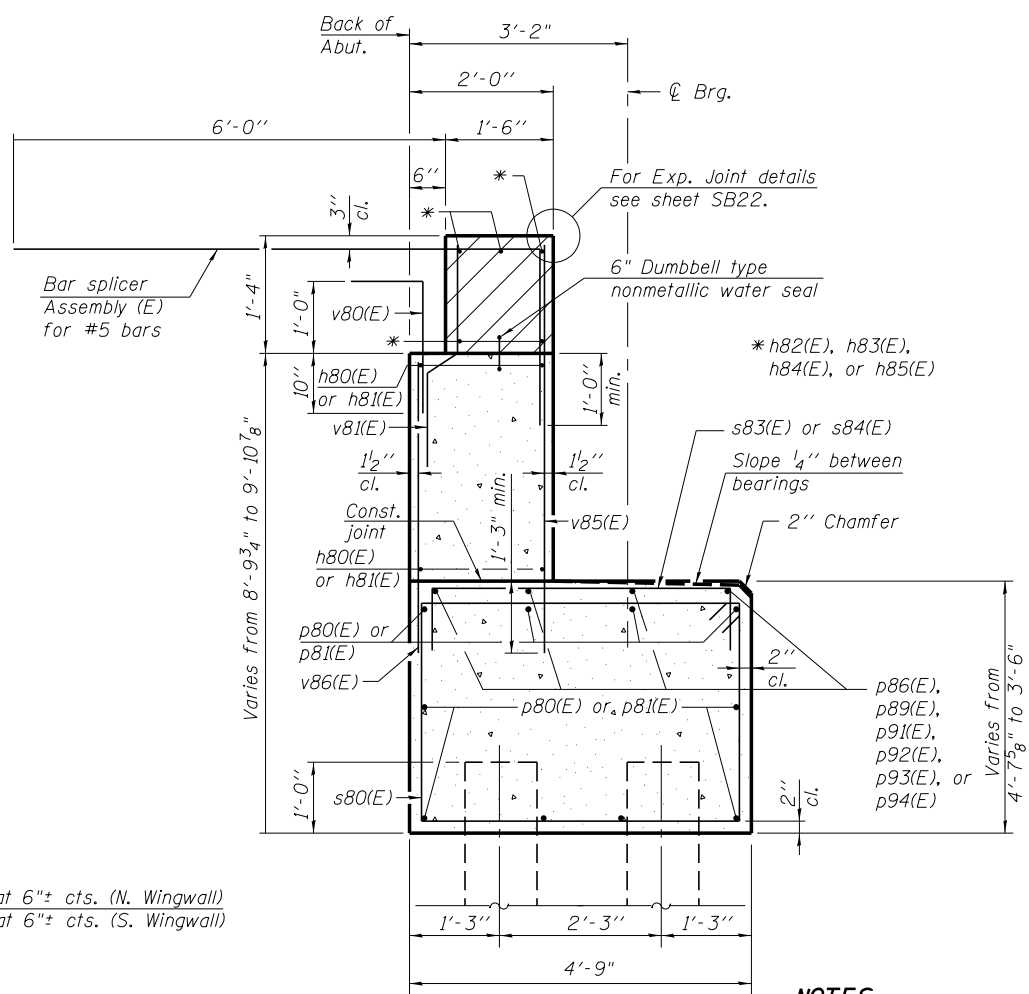
WING WALL ELEVATION
Showing Dimensions



WING WALL ELEVATION
Showing Reinforcement



SECTION B-B



SEC. THRU ABUT.

- NOTES:**
1. Hatched area to be poured after superstructure false work has been removed.
 2. Space reinforcement in cap to miss anchor bolts.
 3. Pour steps monolithically with cap.
 4. For Bill of Material and Bar List, see sheet SB44.

benesch
engineers · scientists · planners
Alfred Benesch & Company
205 North Michigan Avenue, Suite 2400
Chicago, Illinois 60601
312-565-0450 Job No. 10056

FILE NAME =	USER NAME = mbecker	DESIGNED - DTS	REVISIONS -
0900167.68620.43.eabut6.dgn		CHECKED - SLD	REVISIONS -
		PLOT SCALE =	REVISIONS -
		PLOT DATE = 7/16/2012	REVISIONS -

STATE OF ILLINOIS
DEPARTMENT OF TRANSPORTATION

EAST ABUTMENT DETAILS 1 OF 2
STRUCTURE NO. 090-0167
SHEET NO. SB43 OF SB65 SHEETS

F.A.I. RTE.	SECTION	COUNTY	TOTAL SHEETS	SHEET NO.
74	90-[14R;14HB-4;14,14HVB]BR	TAZEWELL	2433	1954
CONTRACT NO. 68620			ILLINOIS FED. AID PROJECT	

x:\10000s\10056\engineer\ing-documents\phase-1\174over\Jefferson\Final\0900167.68620.43.eabut6.dgn 11:08:51 AM 7/16/2012