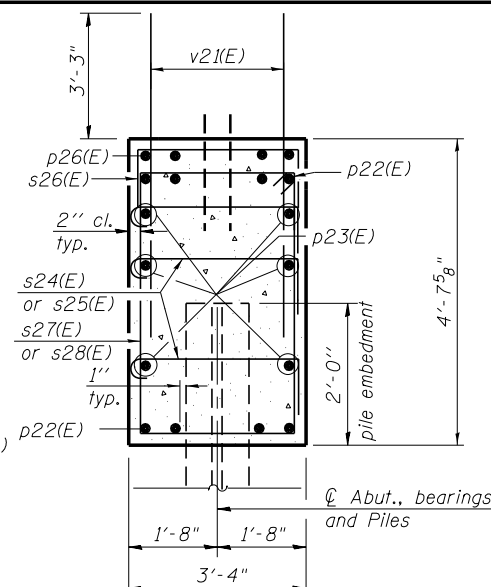
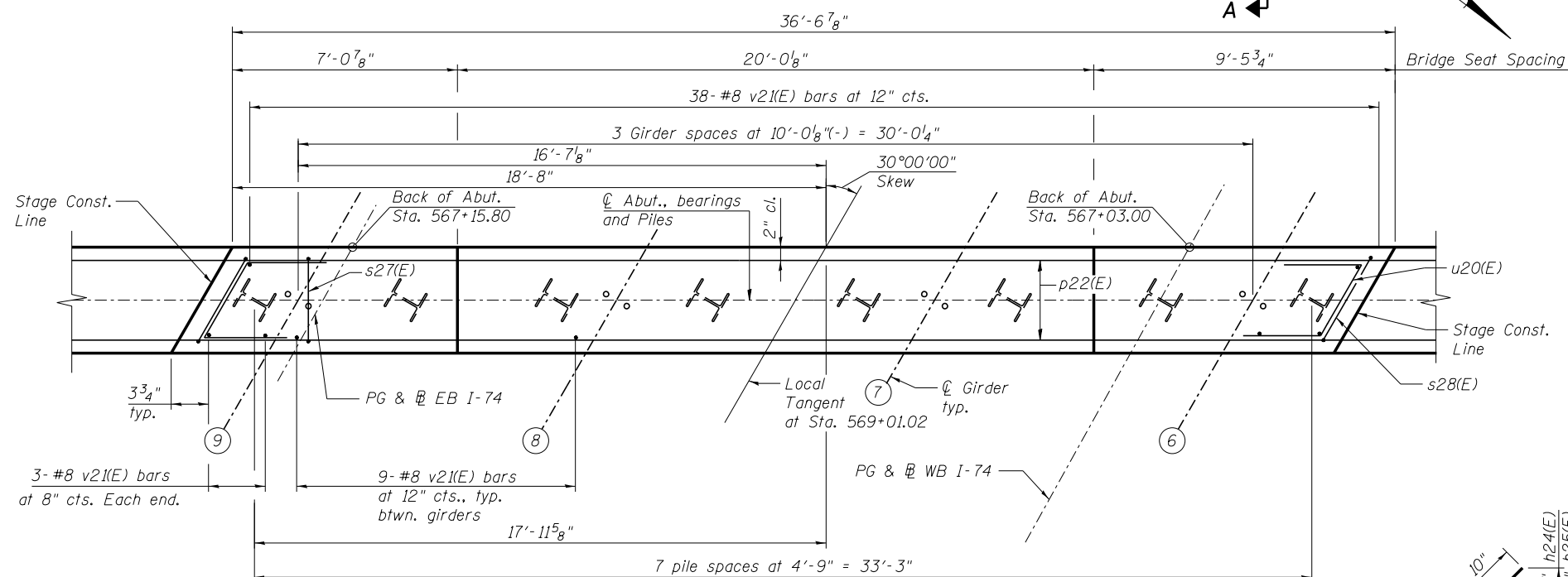


ELEVATION
(Looking West)
(Stage 1)

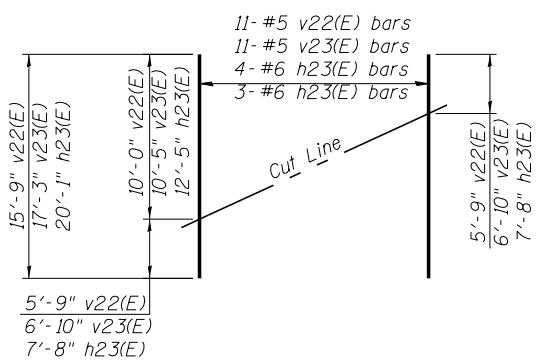


SECTION A-A
BILL OF MATERIAL

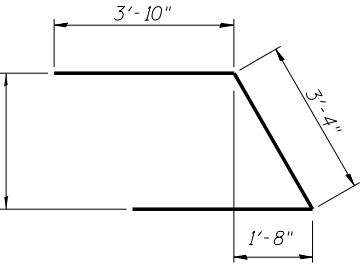
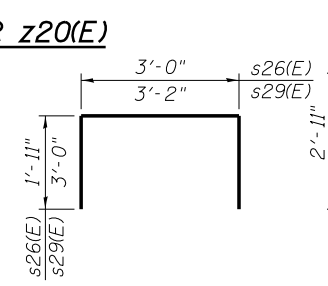
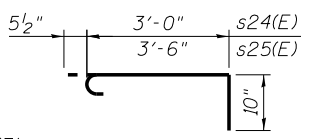
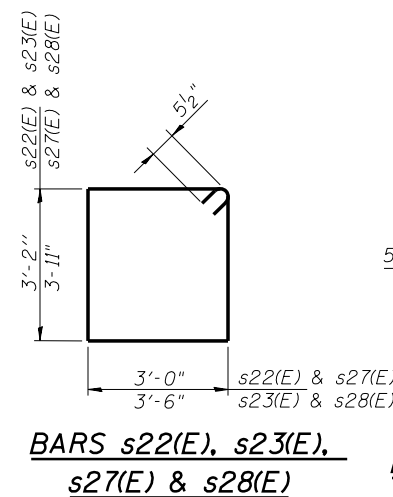
Bar	No.	Size	Length	Shape
h20(E)	62	#7	13'-6"	
h21(E)	11	#4	3'-2"	
h22(E)	11	#4	5'-8"	
h23(E)	7	#6	20'-1"	
h24(E)	2	#6	10'-6"	
h25(E)	2	#6	10'-2"	
p20(E)	16	#7	28'-0"	
p21(E)	8	#5	27'-0"	
p22(E)	8	#7	36'-2"	
p23(E)	12	#5	19'-9"	
p24(E)	16	#7	27'-9"	
p25(E)	8	#5	26'-9"	
p26(E)	4	#5	7'-3"	
p27(E)	4	#5	23'-3"	
p28(E)	4	#5	10'-9"	
p29(E)	8	#5	22'-0"	
p30(E)	4	#5	9'-8"	
s22(E)	78	#5	13'-3"	
s23(E)	4	#5	14'-3"	
s24(E)	240	#5	4'-4"	
s25(E)	14	#5	4'-10"	
s26(E)	82	#5	6'-10"	
s27(E)	28	#5	14'-9"	
s28(E)	2	#5	15'-9"	
s29(E)	4	#5	9'-2"	
u20(E)	27	#6	11'-0"	
v21(E)	268	#8	6'-6"	
v22(E)	11	#5	15'-9"	
v23(E)	11	#5	17'-3"	
v24(E)	4	#4	7'-11"	
v25(E)	7	#4	9'-0"	
w20(E)	6	#5	3'-2"	
w21(E)	6	#5	5'-8"	
z20(E)	15	#4	7'-2"	
Structure Excavation		Cu. Yd.	406	
Concrete Structures		Cu. Yd.	78.7	
Reinforcement Bars, Epoxy Coated		Pound	14,610	
Furnishing Steel Piles HP12x53		Foot	2,175	
Driving Piles		Foot	2,175	
Test Pile Steel HP12x53		Each	1	
Pile Shoes		Each	30	



PLAN
(Stage 1)



FIELD CUTTING DIAGRAM
Order v22(E), v23(E) and h23(E) full length. Cut as shown and use remainder of bars in opposite face.



BARS s22(E), s23(E), s27(E) & s28(E)

BARS s24(E) & s25(E)

BARS s26(E) & s29(E)

BAR u20(E)

Bars indicated 4x2-#5 etc. indicates 4 lines of bars with 2 lengths per line.



Alfred Benesch & Company
205 North Michigan Avenue, Suite 2400
Chicago, Illinois 60601
312-565-0450 Job No. 10056

FILE NAME =	USER NAME = mbecker	DESIGNED - DTS	REVISIONS -
0900169.68620.36.abut2.dgn		CHECKED - SLD	REVISIONS -
		PLOT SCALE =	REVISIONS -
		PLOT DATE = 7/18/2012	REVISIONS -

STATE OF ILLINOIS
DEPARTMENT OF TRANSPORTATION

WEST ABUTMENT DETAILS 2 OF 3
STRUCTURE NO. 090-0169

SHEET NO. SC36 OF SC63 SHEETS

F.A.I. RT.	SECTION	COUNTY	TOTAL SHEETS	SHEET NO.
74	90-[14R(14HB-4,14,14HB)BR]	TAZEWELL	2433	2012
CONTRACT NO. 68620				

ILLINOIS FED. AID PROJECT

x:\10000s\10056\engineer\ing-documents\phase-1\174over\Jackson\Final\0900169.68620.36.abut2.dgn 8:10:59 AM 7/18/2012