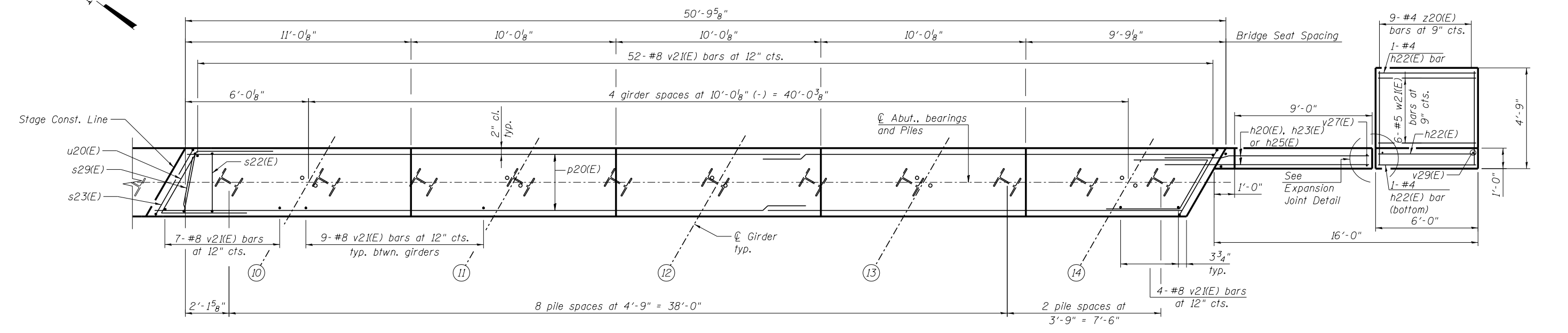


ELEVATION
(Looking East)
(Stage 2)



PLAN
(Stage 2)

NOTE:

For Section Thru Abut., Expansion Joint Detail, and Wingwall Extension Detail, see sheet SC38.

benesch
engineers · scientists · planners

Alfred Benesch & Company
205 North Michigan Avenue, Suite 2400
Chicago, Illinois 60601
312-565-0450 Job No. 10056

FILE NAME = 0900169.68620.40.abut6.dgn

USER NAME = mbecker	DESIGNED - DTS	REVISED -
PLOT SCALE =	CHECKED - SLD	REVISED -
PLOT DATE = 7/18/2012	DRAWN - PRT/DTS	REVISED -
	CHECKED - SLD	REVISED -

STATE OF ILLINOIS
DEPARTMENT OF TRANSPORTATION

EAST ABUTMENT DETAILS 3 OF 3
STRUCTURE NO. 090-0169

SHEET NO. SC40 OF SC63 SHEETS

F.A.I. RT.	SECTION	COUNTY	TOTAL SHEETS	SHEET NO.
74	90-[14R(14HB-4,14,14HVB)BR]	TAZEWELL	2433	2016
CONTRACT NO. 68620				

ILLINOIS FED. AID PROJECT

x:\10000s\10056\engineer\ing-documents\phase-1\174over\Jackson\Final\0900169.68620.40.abut6.dgn

8/11/05 AM

7/18/2012