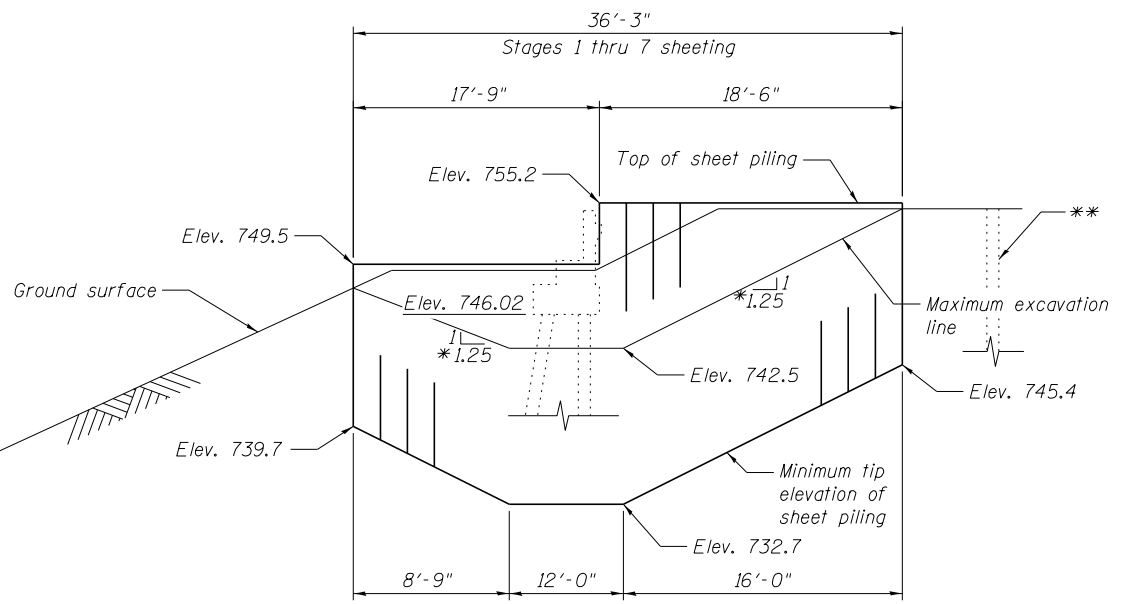
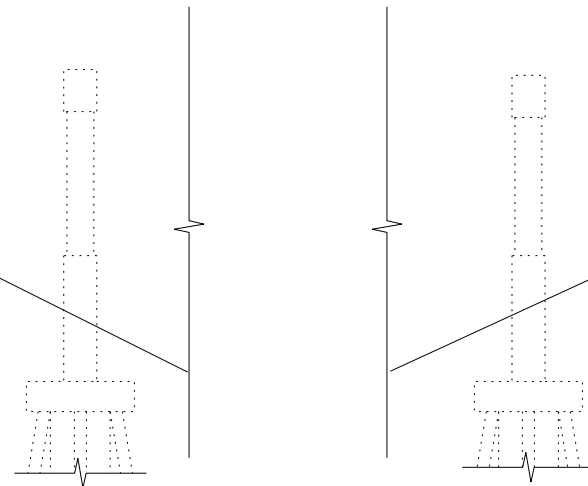


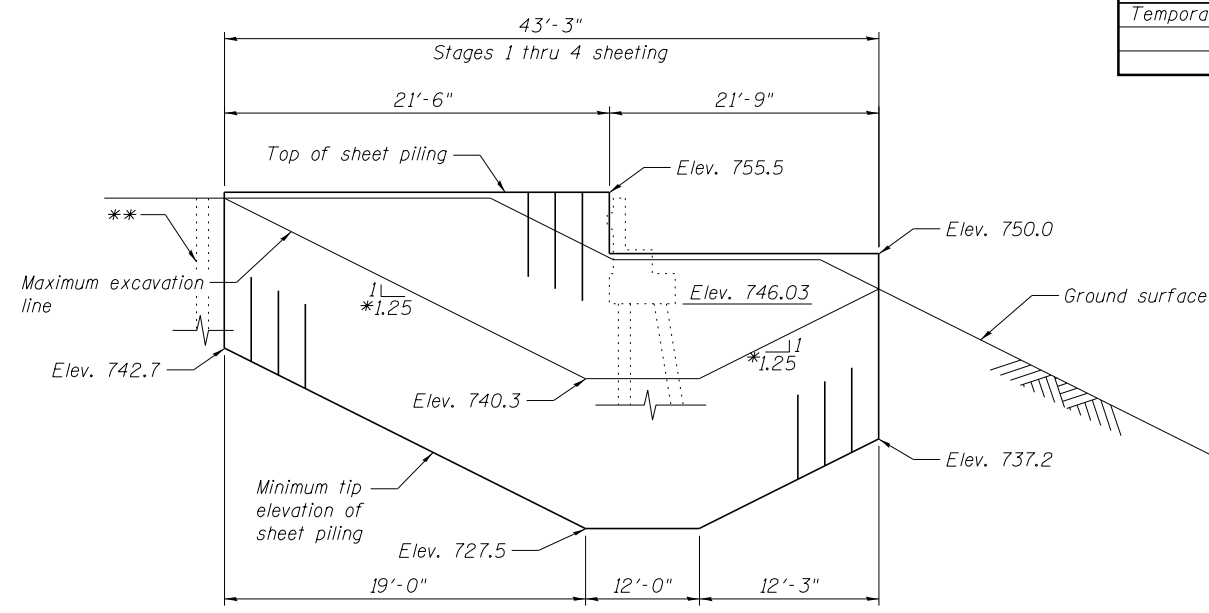
WB I-74 WEST ABUTMENT
(Minimum Section Modulus = 25.2 cu. in./ft.)



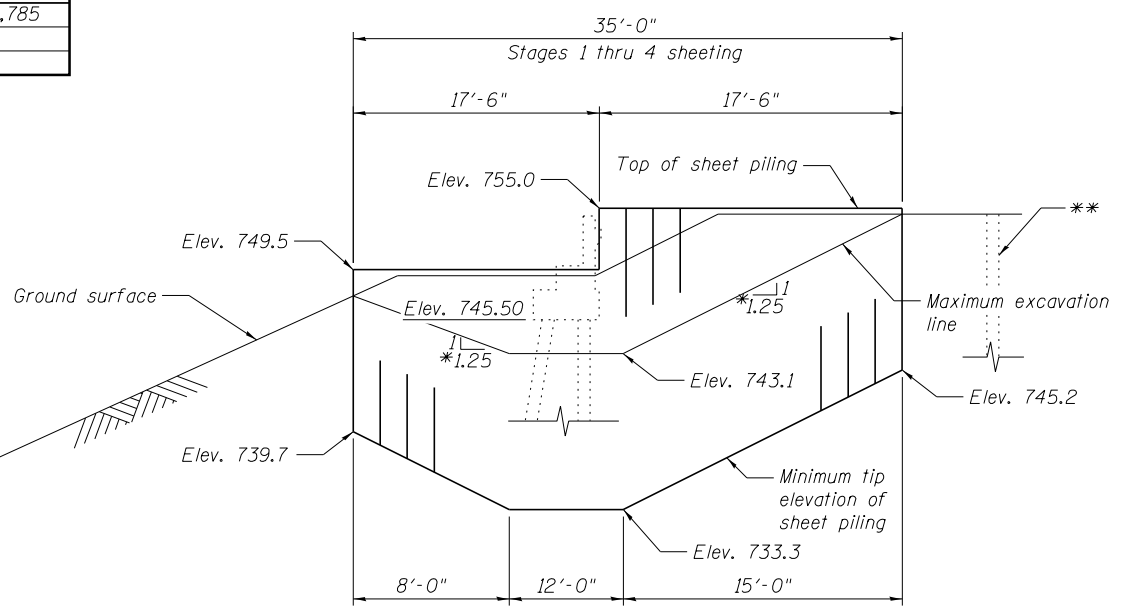
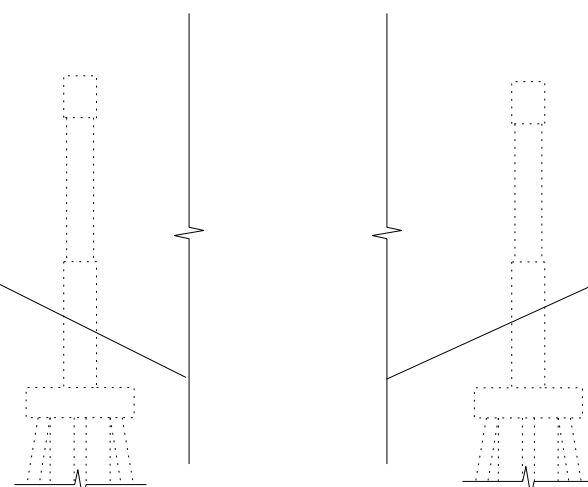
WB I-74 EAST ABUTMENT
(Minimum Section Modulus = 11.7 cu. in./ft.)

BILL OF MATERIAL

ITEM	UNIT	TOTAL
Temporary Sheet Piling	Sq. Ft.	2,785



EB I-74 WEST ABUTMENT
(Minimum Section Modulus = 25.2 cu. in./ft.)



EB I-74 EAST ABUTMENT
(Minimum Section Modulus = 11.7 cu. in./ft.)

NOTES:

1. If the Contractor chooses to alter the temporary cantilevered sheet piling design requirements shown on the plans, a design submittal including plan details and calculations will be required for review and acceptance by the Engineer.
2. The Contractor shall connect the first sheet to the existing abutment wall to ensure stability of sheets driven to the top of the existing footing. This connection shall be reviewed and accepted by the Engineer and included in the cost for Temporary Sheet Piling.
3. Contractor has option to excavate and cut off piling or to extract piles. Any excavation required to perform the removal and/or staging shall be included in the cost of Removal of Existing Structures at the location specified.

*Slope of maximum excavation line measured parallel to temporary sheet piling.
 **Existing creosote timber approach pile. See Note 3 on Sheet SR2 for details of removal.

benesch
engineers · scientists · planners
 Alfred Benesch & Company
 205 North Michigan Avenue, Suite 2400
 Chicago, Illinois 60601
 312-565-0450 Job No. 10056

FILE NAME =
 xxxxxx_68620_08_sht.dgn

USER NAME = mbecker	DESIGNED - MFB	REVISED -
PLOT SCALE =	CHECKED - MRB/KWS	REVISED -
PLOT DATE = 7/16/2012	DRAWN - JLS	REVISED -
	CHECKED - MRB/KWS	REVISED -

**STATE OF ILLINOIS
 DEPARTMENT OF TRANSPORTATION**

**TEMPORARY SHEETING DETAILS
 STRUCTURE NO. 090-0014 / 0015 REMOVAL**

SHEET NO. SRB OF SR22 SHEETS

F.A.I. RTE.	SECTION	COUNTY	TOTAL SHEETS	SHEET NO.
74	90-[14R]14HB-4,14,14HVB[BR]	TAZEWELL	2433	2076
			CONTRACT NO. 68620	
ILLINOIS FED. AID PROJECT				

X:\100005\10056\Engineering\Documents_Phase_1\I74overRR\Final\xxxxxx_68620_08_sht.dgn 7:44:42 AM 7/16/2012