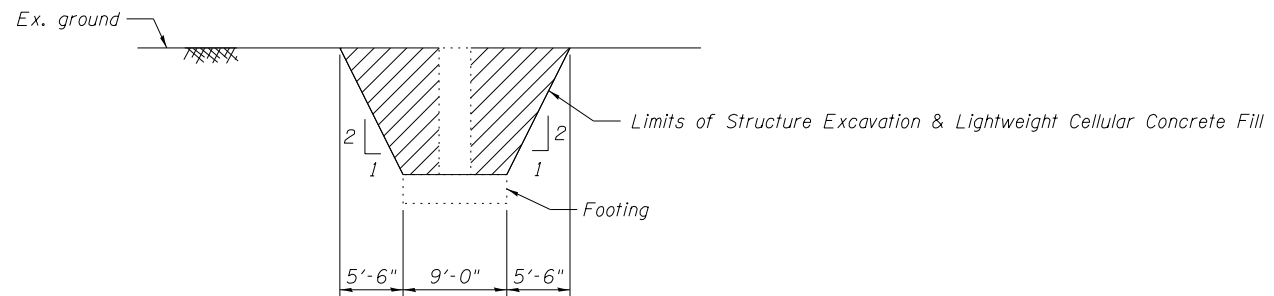
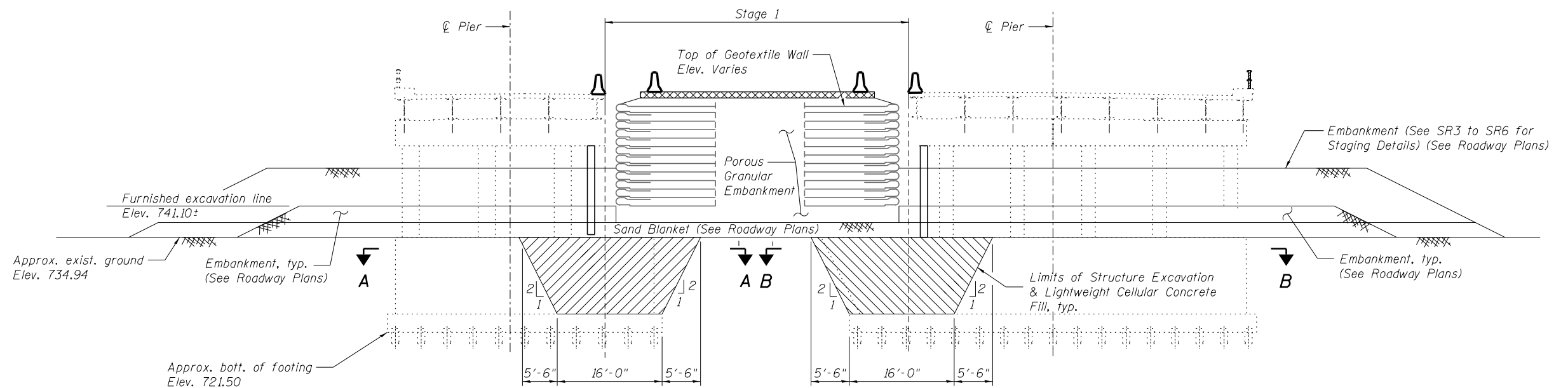


BILL OF MATERIAL

ITEM	UNIT	TOTAL
Porous Granular Embankment	Cu. Yd.	1,544
Structure Excavation	Cu. Yd.	474
Lightweight Cellular Concrete Fill	Cu. Yd.	474



SECTION C-C

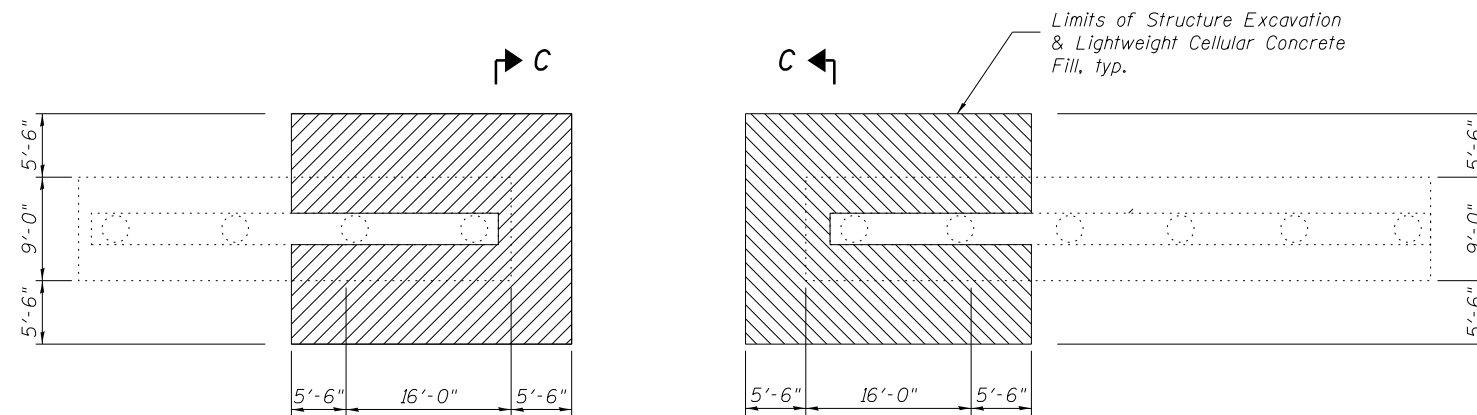


SECTION AT EXISTING PIERS

(Looking Upstation After Stage 1 Construction, unless otherwise noted)

NOTES:

- Hatched areas indicate pay limits of Structure Excavation and Lightweight Cellular Concrete Fill (Class IV).
- Lightweight Cellular Concrete Fill shall be Class IV as specified in the Special Provision "Lightweight Cellular Concrete Fill".
- For Furnished Excavation details and quantities, see roadway plans.
- For Staging Details, see SR3 to SR6.



SECTION A-A

SECTION B-B

benesch
engineers · scientists · planners

Alfred Benesch & Company
205 North Michigan Avenue, Suite 2400
Chicago, Illinois 60601
312-565-0450 Job No. 10056

FILE NAME =	USER NAME = mbecker	DESIGNED - DTS	REVISIED -
xxxxxx_68620.10_gw2.dgn		CHECKED - SCW	REVISIED -
	PLOT SCALE =	DRAWN - PRT	REVISIED -
	PLOT DATE = 7/16/2012	CHECKED - KWS	REVISIED -

**STATE OF ILLINOIS
DEPARTMENT OF TRANSPORTATION**

**TEMPORARY GEOTEXTILE WALL DETAILS 2 OF 2
STRUCTURE NO. 090-0014 / 0015 REMOVAL**

SHEET NO. SR10 OF SR22 SHEETS

F.A.I. RTE.	SECTION	COUNTY	TOTAL SHEETS	SHEET NO.
74	90-[14R;(14HB-4,14,14HVB)BR]	TAZEWELL	2433	2078
CONTRACT NO. 68620				
ILLINOIS FED. AID PROJECT				