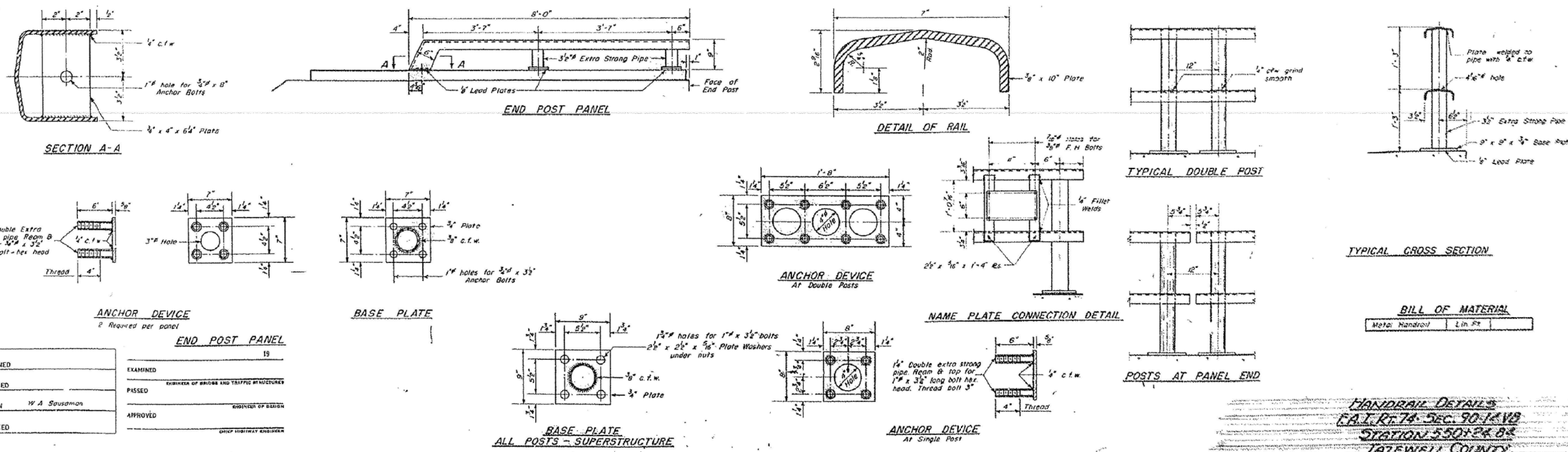


STATE OF ILLINOIS
DEPARTMENT OF PUBLIC WORKS & BUILDINGS
DIVISION OF HIGHWAYS

MODEL NO.	SECTION	COUNTY	TOTAL SHEETS	SHEET NO.
S. W. I.				47-A
F. A.				SHEETS
FED. ROAD DIST. NO. 7	BLANKS	FED. AID PROJECT		

27-A



DESIGNED	EXAMINED
CHECKED	NUMBER OF BRIDGE AND TRAFFIC MANUFACTURERS
DRAWN <i>W A Sausaman</i>	PASSED
CHECKED	APPROVED
	CHIEF HIGHWAY ENGINEER

HANDRAIL DETAILS
F.A.I. R-74-SEC. 90-14VB
STATION 550+PK 84
TAZEVELL COUNTY

R-2

FOR INFORMATION ONLY

benesch
engineers · scientists · planners
Alfred Benesch & Company
205 North Michigan Avenue, Suite 2400
Chicago, Illinois 60601
312-565-0450 Job No. 10056

FILE NAME =	USER NAME = mbecker	DESIGNED - MFB	REVISED -
xxxxxx.68620.20.ex1st9.dgn	PLOT SCALE =	CHECKED - MRB	REVISED -
	PLOT DATE = 7/16/2012	DRAWN - MFB	REVISED -
		CHECKED - MRB	REVISED -

STATE OF ILLINOIS
DEPARTMENT OF TRANSPORTATION

EXISTING PLANS 9 OF 11
STRUCTURE NO. 090-0014 / 0015 REMOVAL

SHEET NO. SR20 OF SR22 SHEETS

F.A.I. RTE.	SECTION	COUNTY	TOTAL SHEETS	SHEET NO.
74	90-[14R;14HB-4,14,14HB]BRJ	TAZEVELL	2433	2088
			CONTRACT NO. 68620	
ILLINOIS FED. AID PROJECT				

X:\100005\10056\Engineering\Documents_Phase_1\174overRR\Final\xxxxxx.68620.20.ex1st9.dgn 7:46:34 AM 7/16/2012