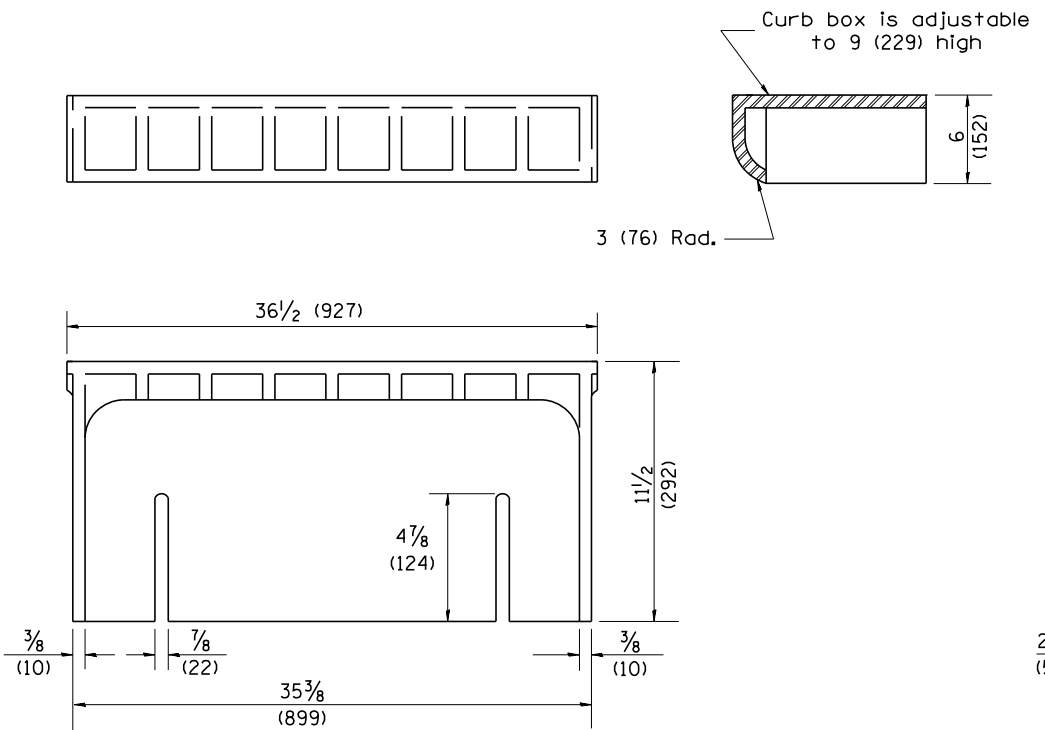
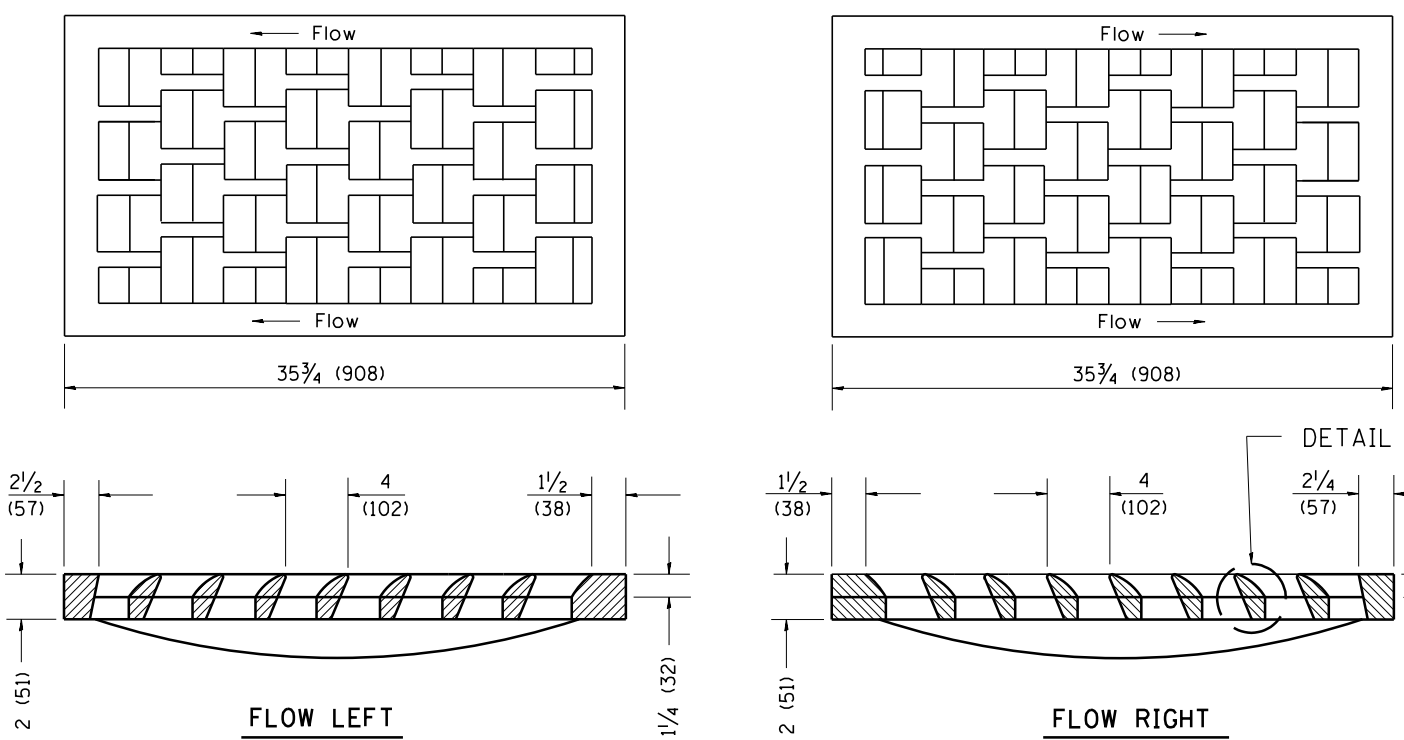


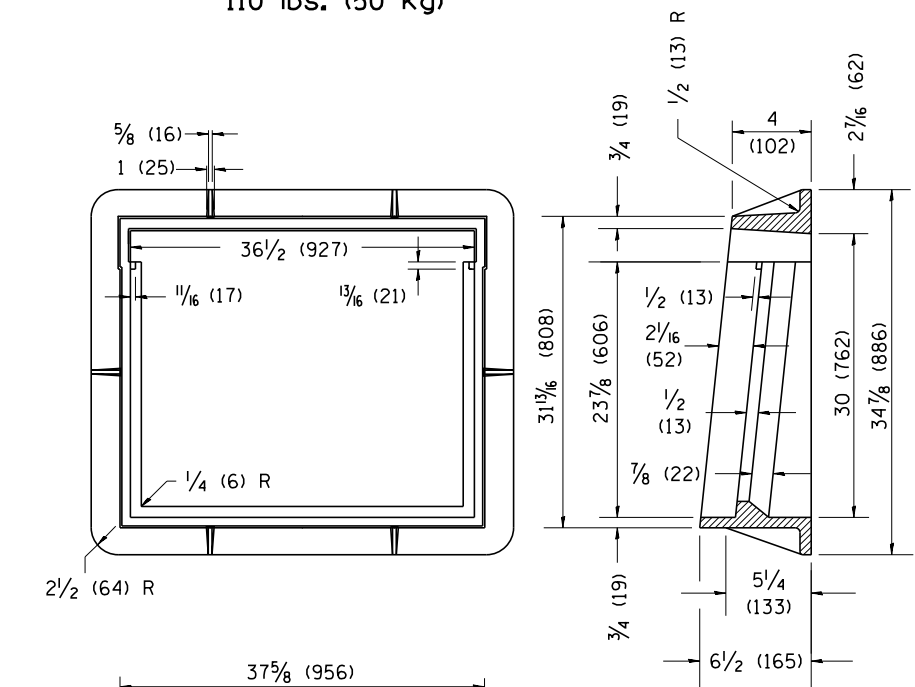
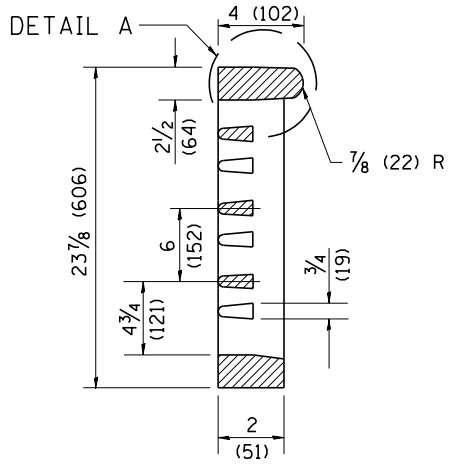
1. Include this standard with all Type G-1 and Type G-1, Special Drainage Structures.
 2. Specify grate types and flow directions in plans.
 3. These castings are included in the cost of the drainage structures as per District Special Provision.
 4. This drawing based upon "NEENAH" designs as follows: Inlet Frame: R-3246-A, Curb Box: R-3290
 Reversible Diagonal Grate: R-3246-A
 Vane Grates: R-3246-AL(flow left)
 R-3246-AL(flow right)



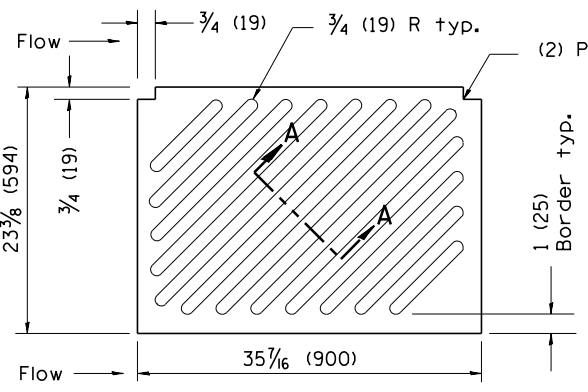
CAST CURB BOX
110 lbs. (50 kg)



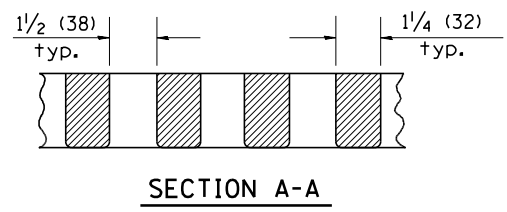
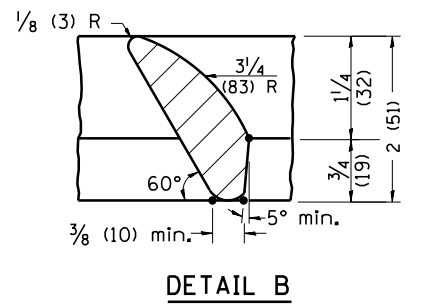
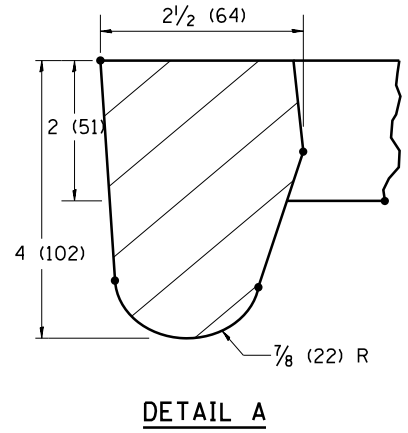
CAST VANE GRATES
(SPECIFY LEFT OR RIGHT FLOW)
230 lbs. (104 KG)



CAST FRAME
271 lbs. (123 kg)



CAST DIAGONAL GRATE
(Reversible for flow)
217 lbs. (98 kg)



GENERAL NOTES

1. The frame and grate shown on this drawing are for use with all TYPE G-1 and TYPE G-1, SPECIAL DRAINAGE STRUCTURES. See plans for grate type and flow direction.
2. Flow direction: As viewed from street side.
3. Material: cast gray iron.

All dimensions are in inches (millimeters) unless otherwise noted.

01-01-97	RENUM. B-10.01, NEW REVISION BOX	T.P.
10-16-06	REVISED TO 2007 SPEC.	M.A.

STATE OF ILLINOIS
DEPARTMENT OF TRANSPORTATION

FRAME & GRATES FOR TYPE G-1 AND TYPE G-1,
SPECIAL DRAINAGE STRUCTURES

F.A. RTÉ.	SECTION	COUNTY	TOTAL SHEETS	SHEET NO.
	90-[14R2(14HB-4,14,14HVB)BR]	TAZEWELL	2433	2114
CONTRACT NO.				
FED. ROAD DIST. NO.	ILLINOIS FED. AID PROJECT			

NOT TO SCALE

CADD STD. 604001-D4