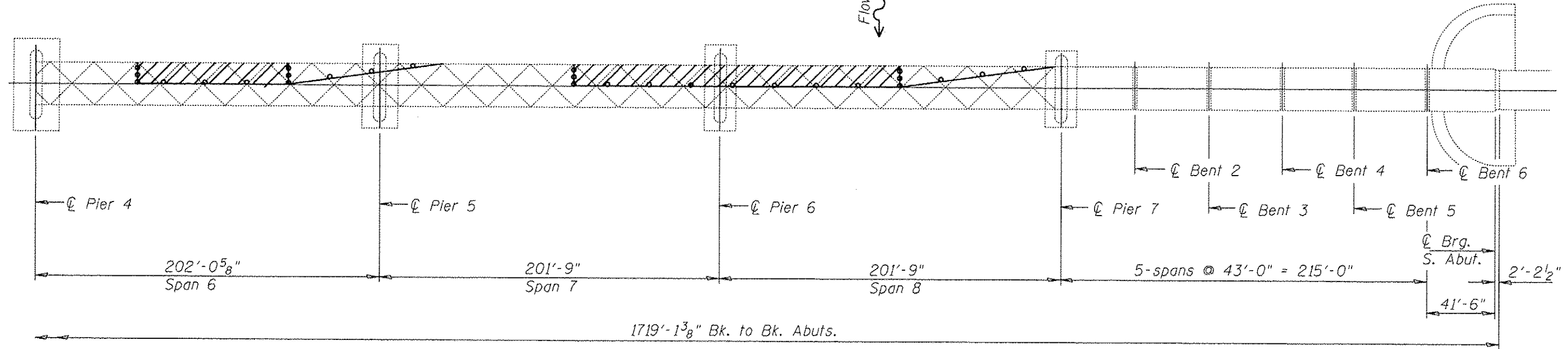


**PLAN**  
(Stage I)



**PLAN**  
(Stage I)

**NOTES**  
 Refer to Highway Standards 701201 in conjunction with this sheet for exact placement of traffic management devices and other clarifications as construction staging symbols and dimensioning were duplicated off of these standards.  
 Traffic staging sequence shall be at the discretion of the Engineer for given field applications. For additional signage and/or device placements, see Traffic Control Special.

S:\GEN-DRAFT-STDA\PLNS\5-04-08\BRIDGES\STEEL BEAM REP-68B16-SN062-0036 MAR 2012\B1606A.DWG

FILE NAME =	USER NAME = jonesca	DESIGNED - CEJ	REVISED -	<b>STATE OF ILLINOIS DEPARTMENT OF TRANSPORTATION</b>	<b>TRAFFIC CONTROL ILLINOIS ROUTE 18 OVER ILLINOIS RIVER SN 062-0036</b>		F.A.P. RTE. 653	SECTION (104B-DI)	COUNTY MARSHALL	TOTAL SHEETS 17	SHEET NO. 5	
S:\GEN-DRAFT-STDA\PLNS\5-04-08\BRIDGES\STEEL BEAM REP-68B16-SN062-0036 MAR 2012\B1606A.DWG	PROJECT CONTRACTS\STEEL BEAM REP-68B16-SN062-0036 MAR 2012\B1606A.DWG	PROGRAM 2-8836	REVISIONS		SCALE: _____	SHEET _____	OF _____ SHEETS	STA. _____	TO STA. _____	SUPERSTRUCTURE REPAIRS CONTRACT NO. 68B16		
Default	PLOT SCALE = 1/8" = 1'-0"	CHECKED -	REVISIONS		ILLINOIS FED. AID PROJECT							
	PLOT DATE = 6/26/2012	DATE = 06/22/2012	REVISIONS									