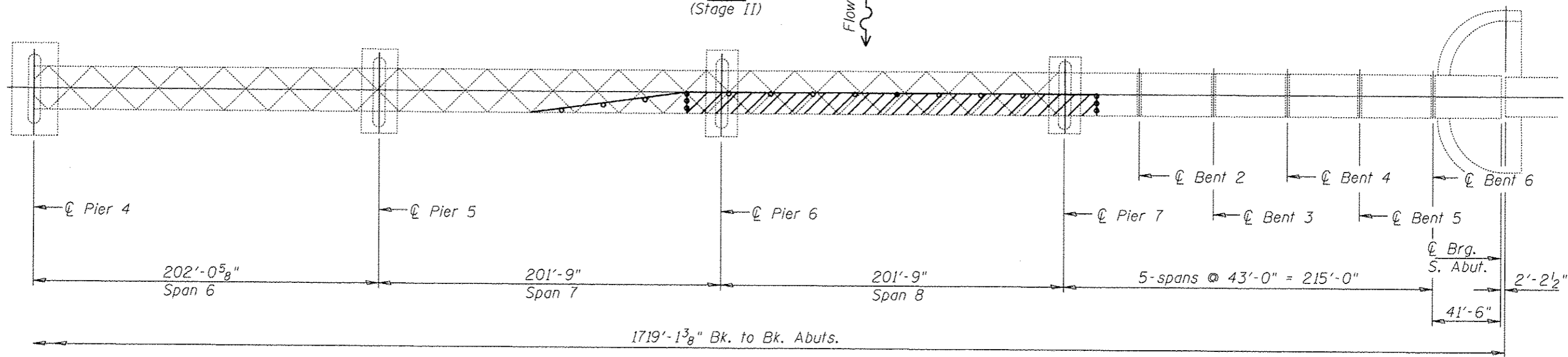
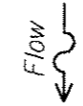


PLAN
(Stage II)



PLAN
(Stage II)

NOTES

Refer to Highway Standards 701201 in conjunction with this sheet for exact placement of traffic management devices and other clarifications as construction staging symbols and dimensioning were duplicated off of these standards.
Traffic staging sequence shall be at the discretion of the Engineer for given field applications. For additional signage and/or device placements, see Traffic Control Special.

S:\GEN-DRAFT\STOAR\MS-SCS\BRIDGES-BRIDGE CONTRACTS-STEEL BEAM REP-68816-SN062-0036 Hwy 18 Bridge.dgn

FILE NAME :	USER NAME : jonace	DESIGNED - CEJ	REVISED -	STATE OF ILLINOIS DEPARTMENT OF TRANSPORTATION	TRAFFIC CONTROL ILLINOIS ROUTE 18 OVER ILLINOIS RIVER SN 062-0036		F.A.P. RTE. 653	SECTION 1104B-D11	COUNTY MARSHALL	TOTAL SHEETS 17	SHEET NO. 6	
S:\GEN-DRAFT\STOAR\MS-SCS\BRIDGES-BRIDGE CONTRACTS-STEEL BEAM REP-68816-SN062-0036 Hwy 18 Bridge.dgn	PLOT SCALE : 1/8" = 1'-0"	CHECKED -	REVISED -		SCALE: _____	SHEET _____	OF _____	SHEETS	STA. _____	TO STA. _____	ILLINOIS FED. AID PROJECT	
Default	PLOT DATE : 6/26/2012	DATE -	REVISED -									
CONTRACT NO. 68816												