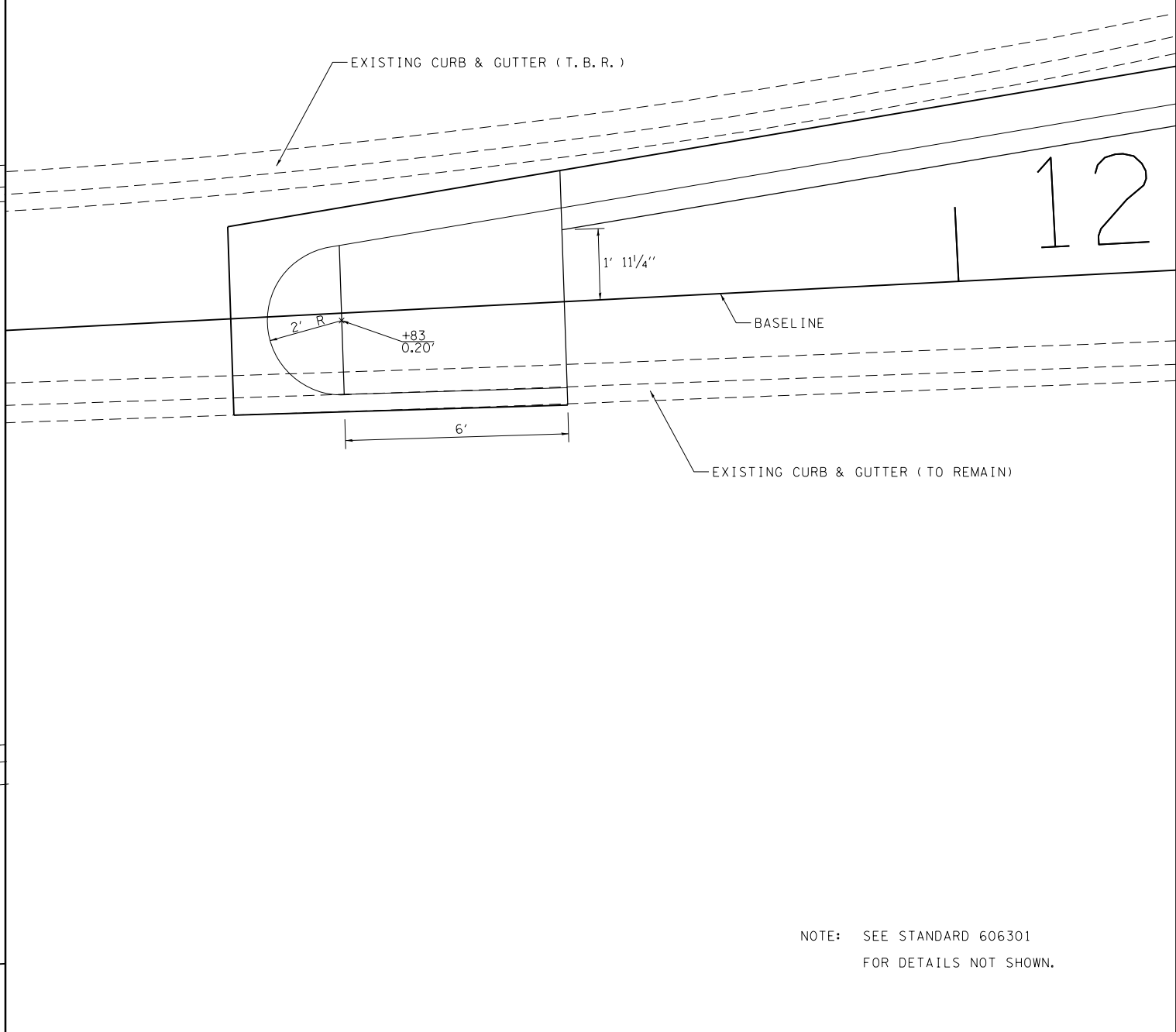
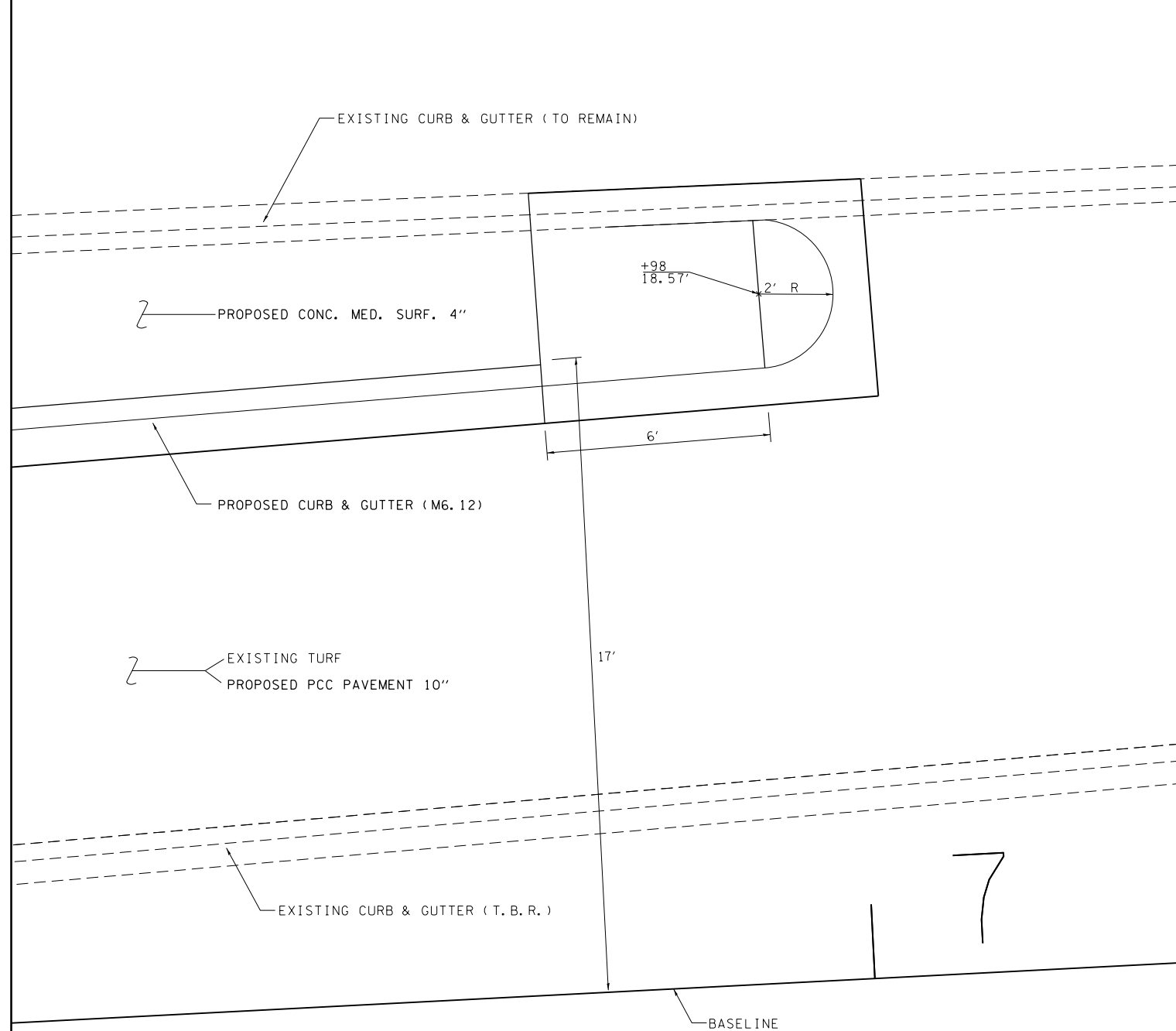




EAST END OF WEST MEDIAN



WEST END OF EAST MEDIAN



NOTE: SEE STANDARD 606301 FOR DETAILS NOT SHOWN.

|   |                              |            |           |
|---|------------------------------|------------|-----------|
| FILE NAME =   | USER NAME = steffenmk        | DESIGNED - | REVISED - |
| c:\pw\work\p\dot\stef\enmk\d0247536\0774510-sht-details.dgn |                              | DRAWN -    | REVISED - |
| Default   | PLOT SCALE = 100.0000' / in. | CHECKED -  | REVISED - |
|   | PLOT DATE = 6/29/2012        | DATE -     | REVISED - |

STATE OF ILLINOIS  
DEPARTMENT OF TRANSPORTATION

MEDIAN DETAILS

SCALE: SHEET OF SHEETS STA. TO STA.

| F.A.P. RTE.        | SECTION | COUNTY | TOTAL SHEETS              | SHEET NO. |
|--------------------|---------|--------|---------------------------|-----------|
| 320                | 126N    | Macon  | 39                        | 28        |
| CONTRACT NO. 74510 |         |        | ILLINOIS FED. AID PROJECT |           |