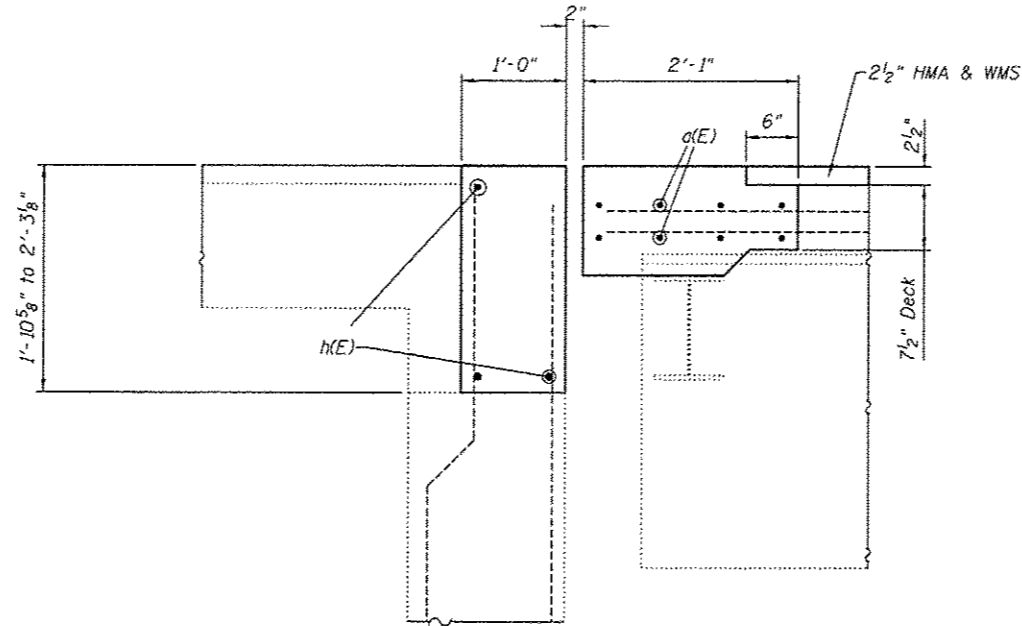
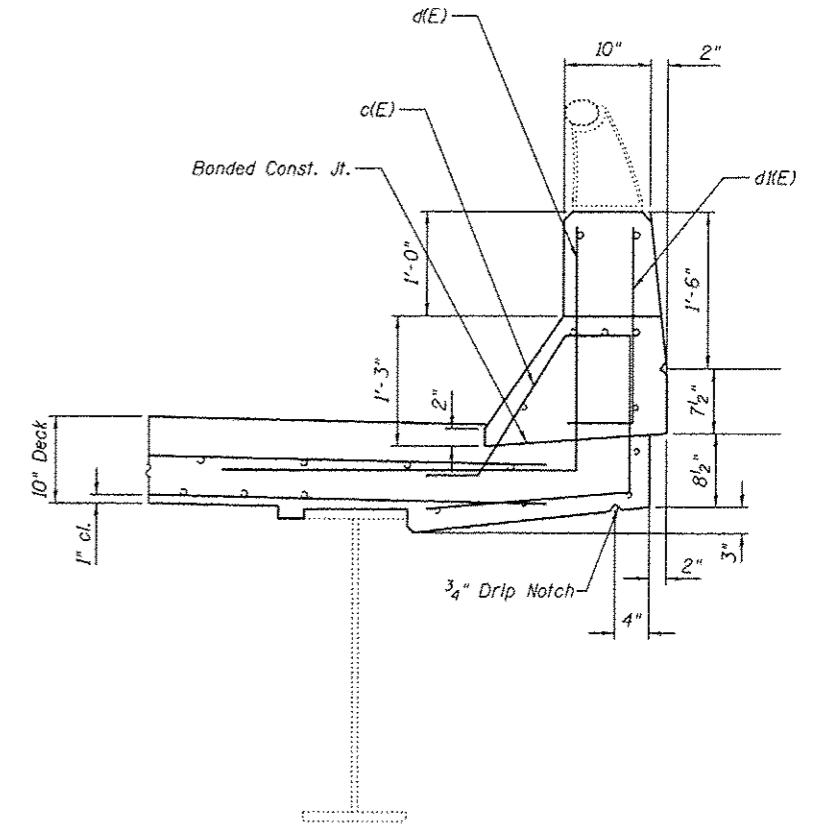


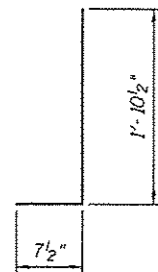
SECTION A-A



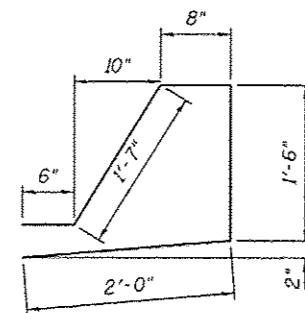
SECTION B-B



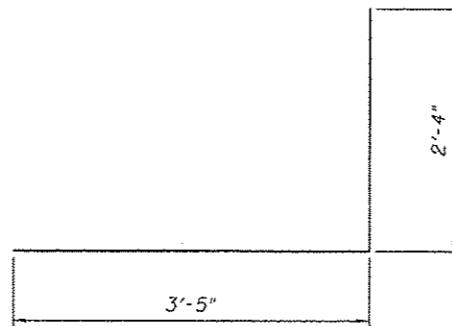
PARAPET SECTION



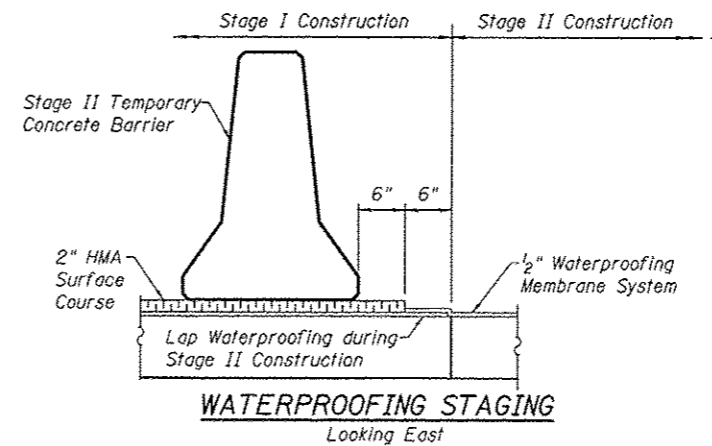
BAR d(E)



BAR a(E)



BAR d(E)



WATERPROOFING STAGING

**BILL OF MATERIAL**

(E & W Abutments)

Bar	No.	Size	Length	Shape
a(E)	32	#6	16'-5"	—
a(E)	12	#4	6'-3"	∇
d(E)	12	#6	5'-9"	—
d(E)	12	#4	2'-6"	—
h(E)	12	#6	16'-5"	—
Concrete Removal			Cu. Yd.	10.9
Concrete Superstructure			Cu. Yd.	10.9
Concrete Structures			Cu. Yd.	0.9
Reinforcement Bars, Epoxy Coated			Lbs.	1260

Reinforcement bars designated (E) shall be epoxy coated.

DESIGNED - AYY  
 CHECKED - ARS  
 DRAWN - AYY  
 CHECKED -

EXAMINED *Timothy A. B. O. O. A.*  
 ENGINEER OF STRUCTURAL SERVICES  
 PASSED *Carl R. ...*  
 ENGINEER OF BRIDGES AND STRUCTURES

DATE - 7/31/12

STATE OF ILLINOIS  
 DEPARTMENT OF TRANSPORTATION

JOINT DETAILS  
 SN 060-0160

SHEET NO. 6 OF 13 SHEETS

RTE.	SECTION	COUNTY	TOTAL SHEETS	SHEET NO.
CH 1	1-HB-1	MADISON	28	20
CONTRACT NO. 76F62			ILLINOIS FED. AID PROJECT	