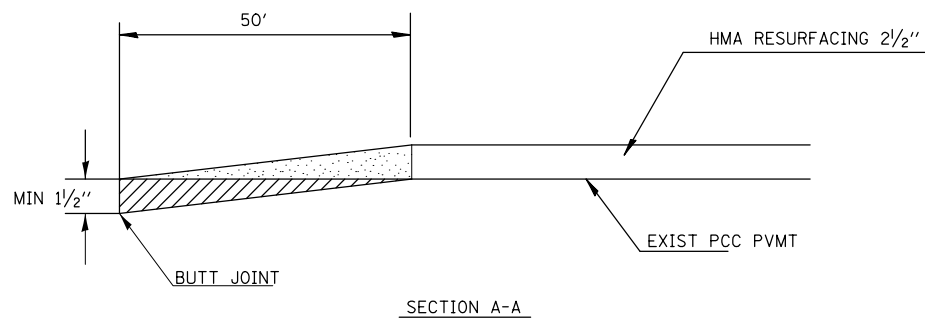
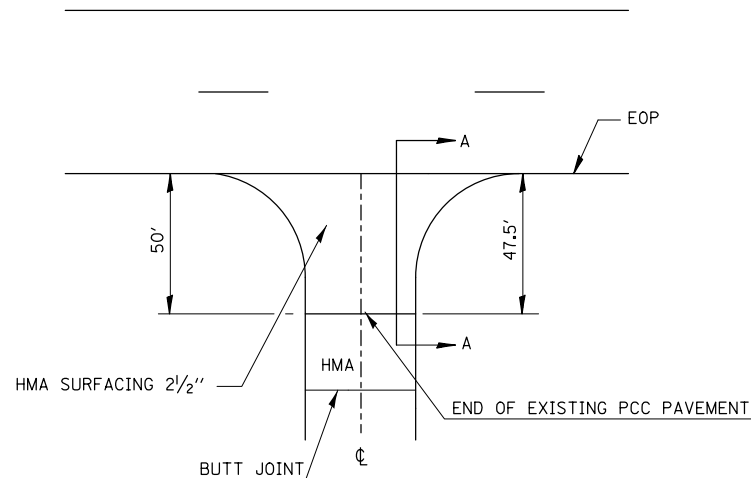
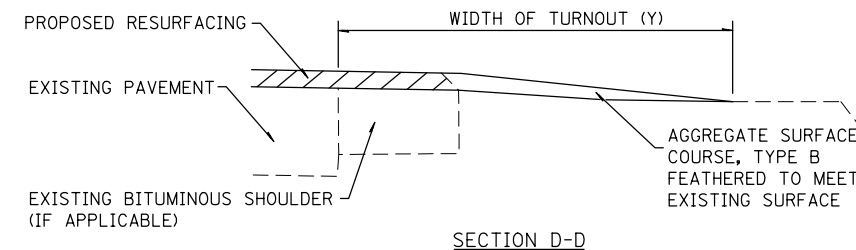
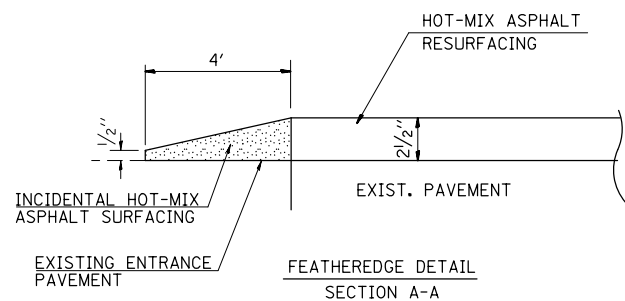
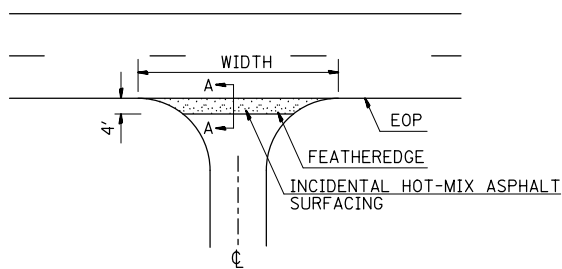


SIDEROAD DETAIL

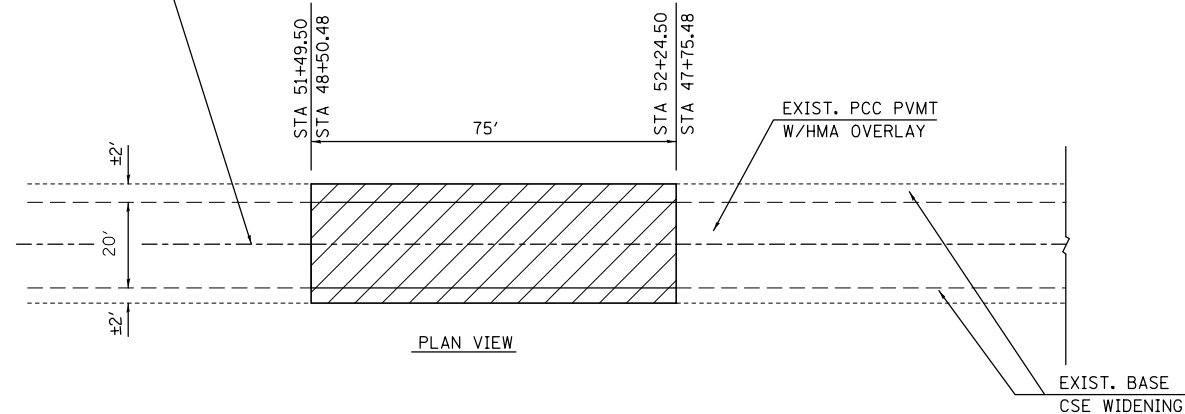


ENTRANCE DETAIL

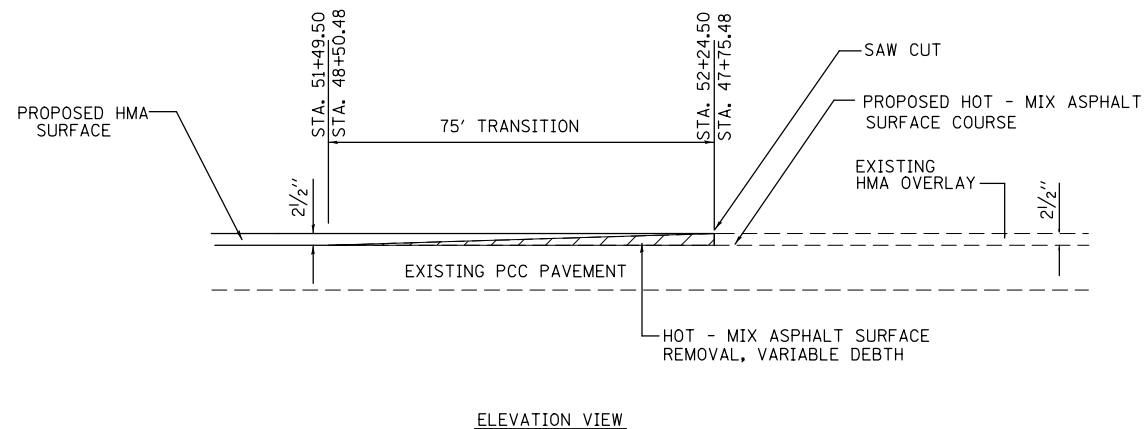


TYPICAL SECTION AT MAILBOX TURNOUT  
NOTE: SEE STANDARD 406201 FOR MAILBOX TURNOUT DETAILS

CH 1 (OLD ALTON EDWARDSVILLE RD)  
RDWY



• COST OF SAWCUT TO BE INCLUDED IN HOT - MIX ASPHALT SURFACE REMOVAL - BUTT JOINT



FILE NAME =	USER NAME = gelnh	DESIGNED -	REVISED -
et:\pw\work\p\dot\gelnh\d0292570\d876f62-sht-plan.dgn		DRAWN -	REVISED -
Default	PLOT SCALE = 100.0000' / in.	CHECKED -	REVISED - *
	PLOT DATE = 7/5/2012	DATE -	REVISED -

STATE OF ILLINOIS  
DEPARTMENT OF TRANSPORTATION

SCALE: SHEET OF SHEETS STA. TO STA.

CH RTE.	SECTION	COUNTY	TOTAL SHEETS	SHEET NO.
CH 1	1-HB-1	MADISON	28	28
CONTRACT NO. 76F62				
ILLINOIS FED. AID PROJECT				