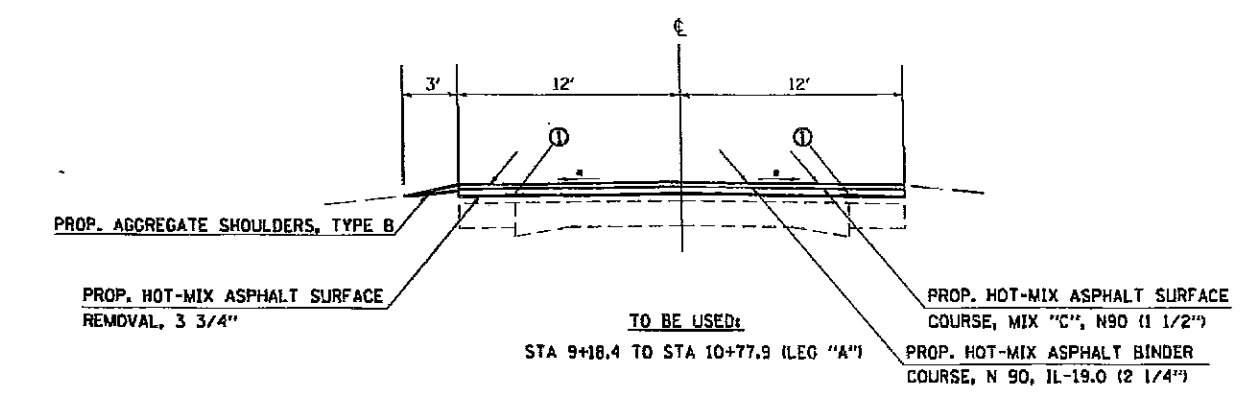
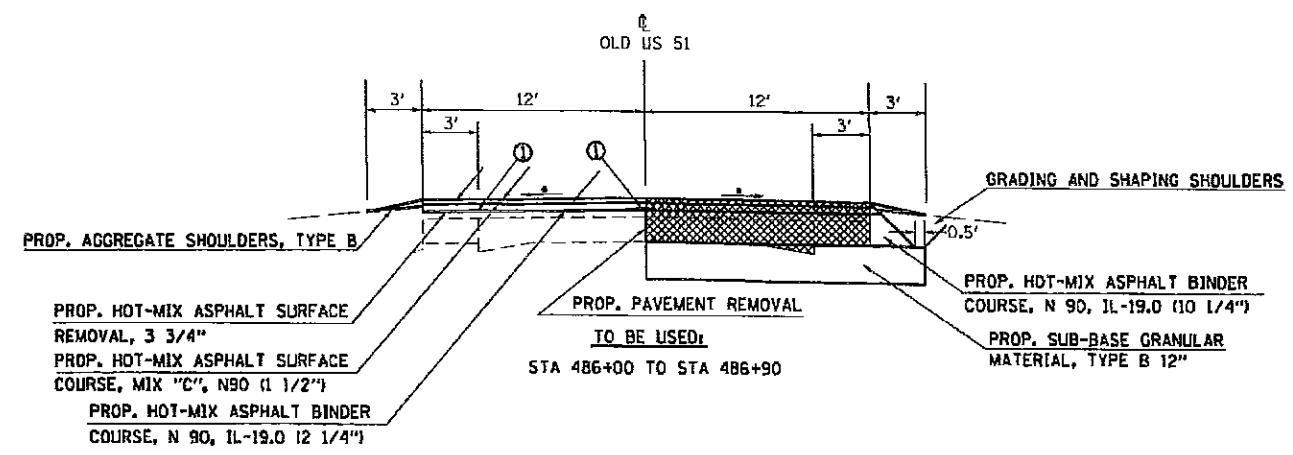
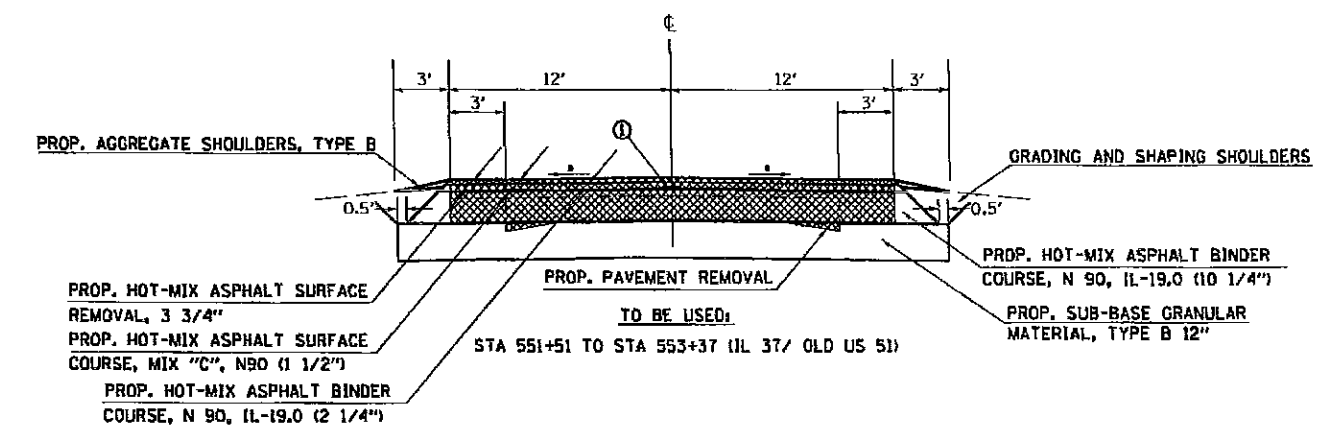
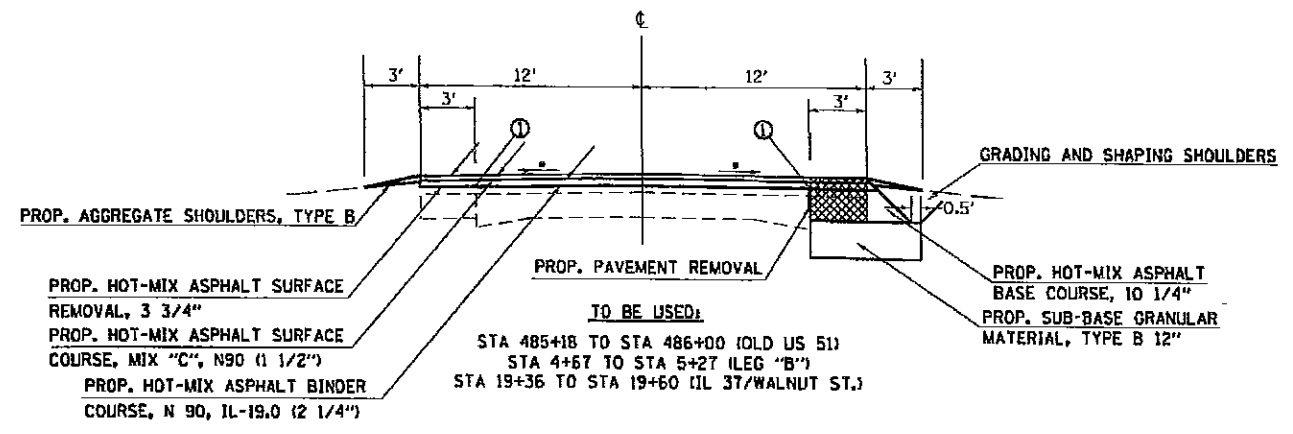
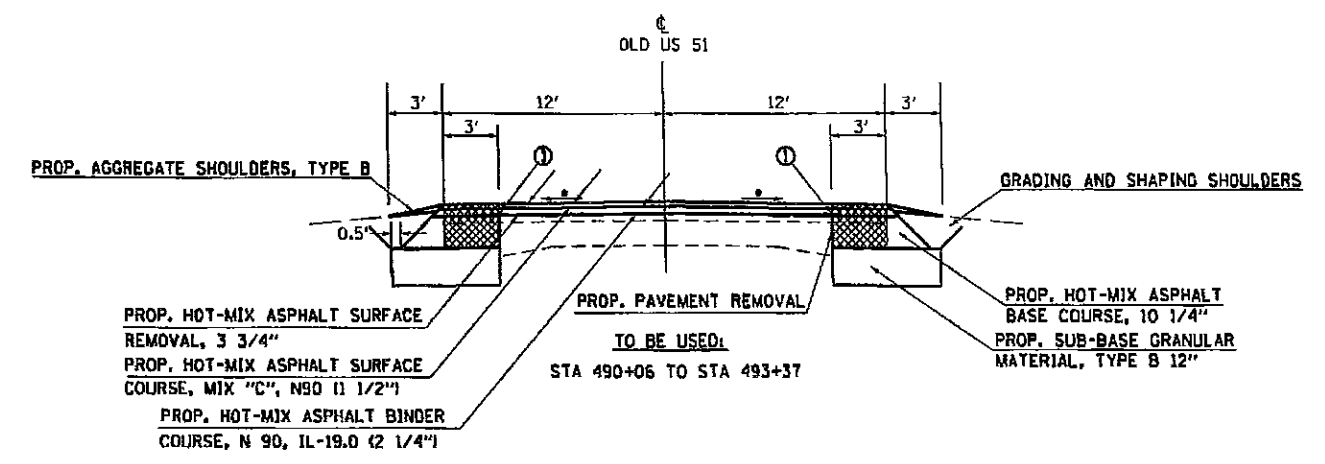
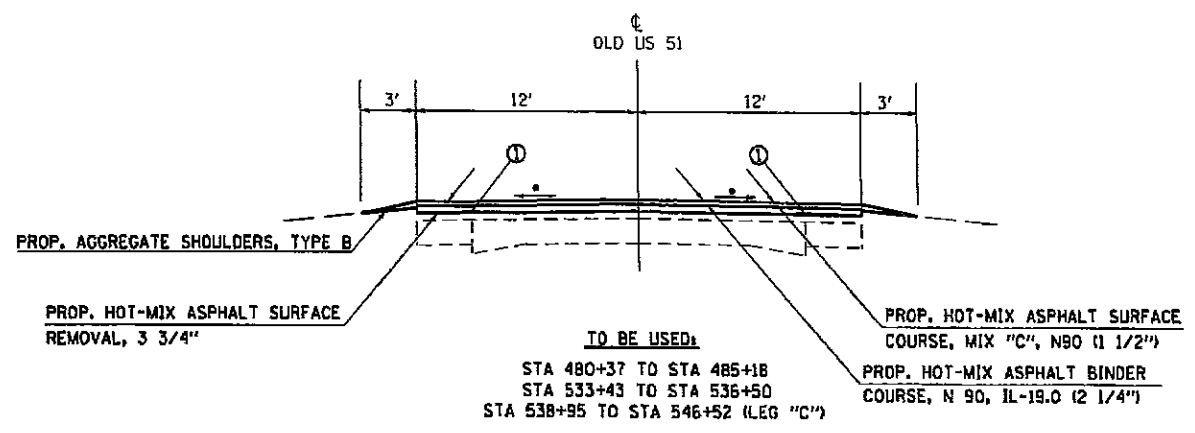


# TYPICAL SECTIONS



**NOTES:**

① - STRIP REFLECTIVE CRACK CONTROL TREATMENT

• - MATCH EXISTING LANE CROSS SLOPE

FILE NAME =	USER NAME = g-reinleas	DESIGNED -	REVISED -	<b>STATE OF ILLINOIS DEPARTMENT OF TRANSPORTATION</b>	<b>TYPICAL SECTIONS</b>	P.A.P. RTE.	SECTION	COUNTY	TOTAL SHEETS	SHEET NO.	
0:\p\so\k\p\p\dot\greenleas\c\0312786\	ib-tpg_sch_tia.dgn	DRAWN -	REVISED -			DB BIT RES AND PATCH 2013-3	PULASKI	ILLINOIS	10	4	
PLOT SCALE = 10,0000' / in.	CHECKED -	REVISED -	REVISED -			CONTRACT NO. 78329					
MODEL NAME =	PLOT DATE = 7/17/2012	DATE -	REVISED -			SCALE:	SHEET	OF	SHEETS	STA.	TO STA.