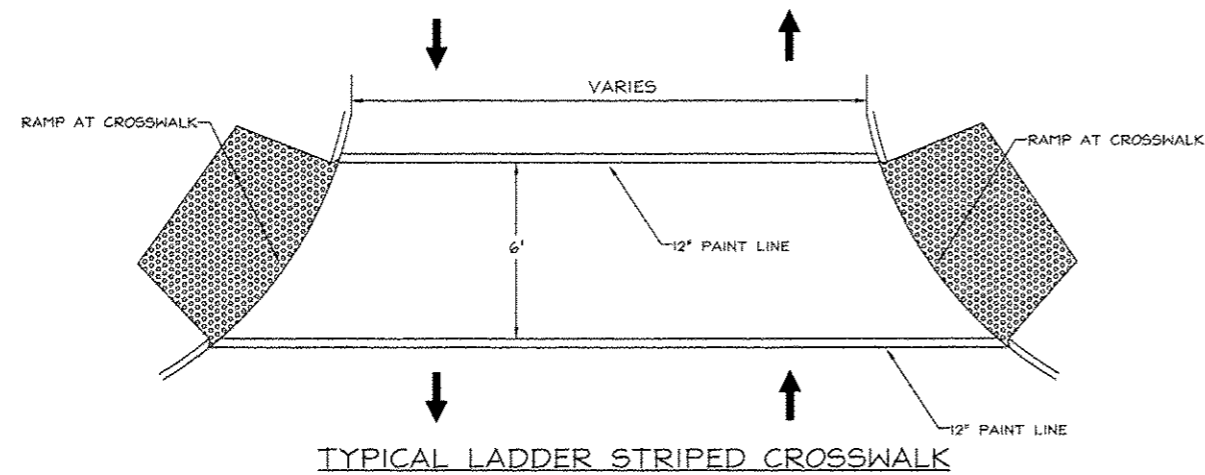
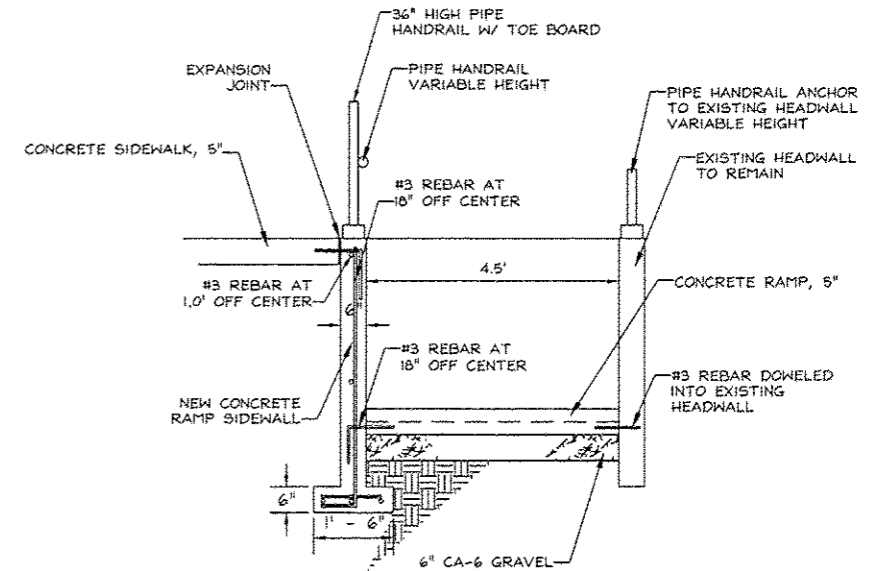


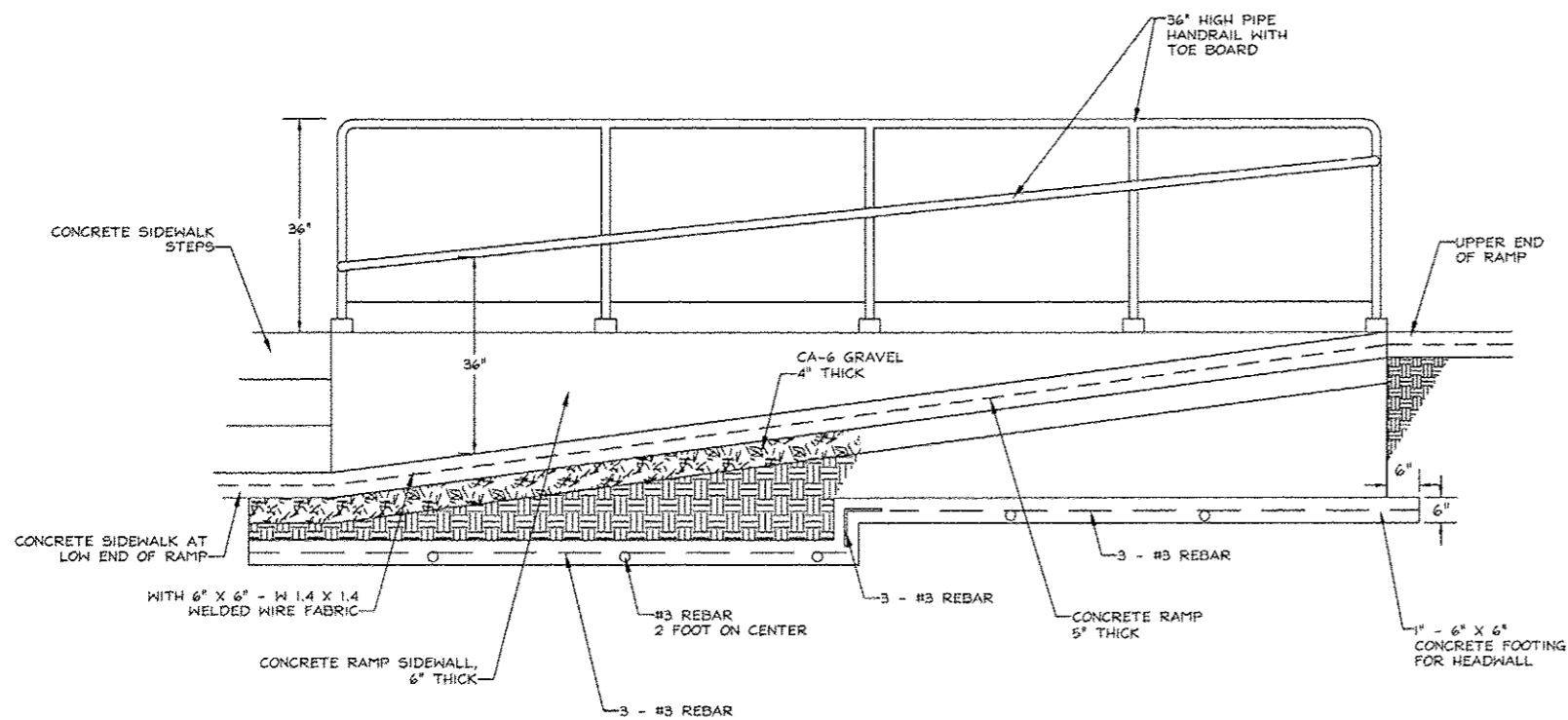
F.A. RTE.	SECTION	COUNTY	TOTAL SHEETS	SHEET NO.
HWY 37 & COLLINS	10-00004-00-SW	JOHNSON	15	14



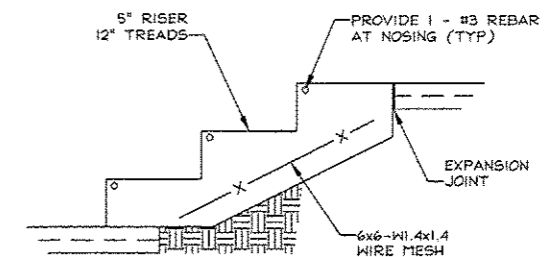
NOTE: DETAILS FOR WORK LOCATED AT THE SOUTHWEST CORNER OF HIGHWAY 37 AND COLLINS STREET SHALL BE MIRROR VIEW OF DETAILS A-A, B-B, AND C-C.



TYPICAL RAMP DETAILS B-B



TYPICAL RAMP DETAILS A-A



TYPICAL CONCRETE STEPS  
DETAILS C-C

NO.	DESCRIPTION	BY	DATE	NO.	DESCRIPTION	BY	DATE
					DESIGNED		
					DRAWN	WFL	3/27/12
					CHECKED	JHC	3/27/12

VILLAGE OF GOREVILLE  
JOHNSON COUNTY, IL  
SAFE ROUTES TO SCHOOL  
SIDEWALK DETAIL

**JOHN H. CRAWFORD & ASSOCIATES, P.C.**  
CIVIL ENGINEERS, LAND SURVEYORS  
201 SOUTH DIVISION STREET, CARTERSVILLE, ILLINOIS 62918  
PHONE (618) 585-4370 FAX (618) 585-4692  
PROFESSIONAL DESIGN FIRM # 184-002885

SHEET NO.	
14	
ISSUE	DATE
A	3/27/12

10/27/2011 10:10:10 AM C:\Users\jhc\Documents\2012\10-00004-00-SW\14.dwg 10/27/2012 10:10:10 AM