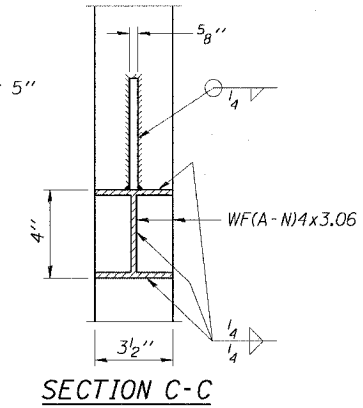
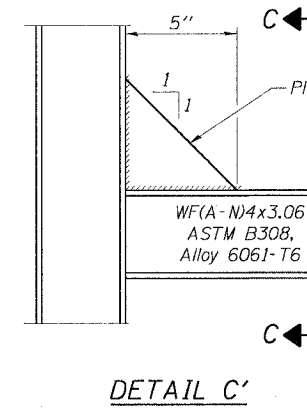
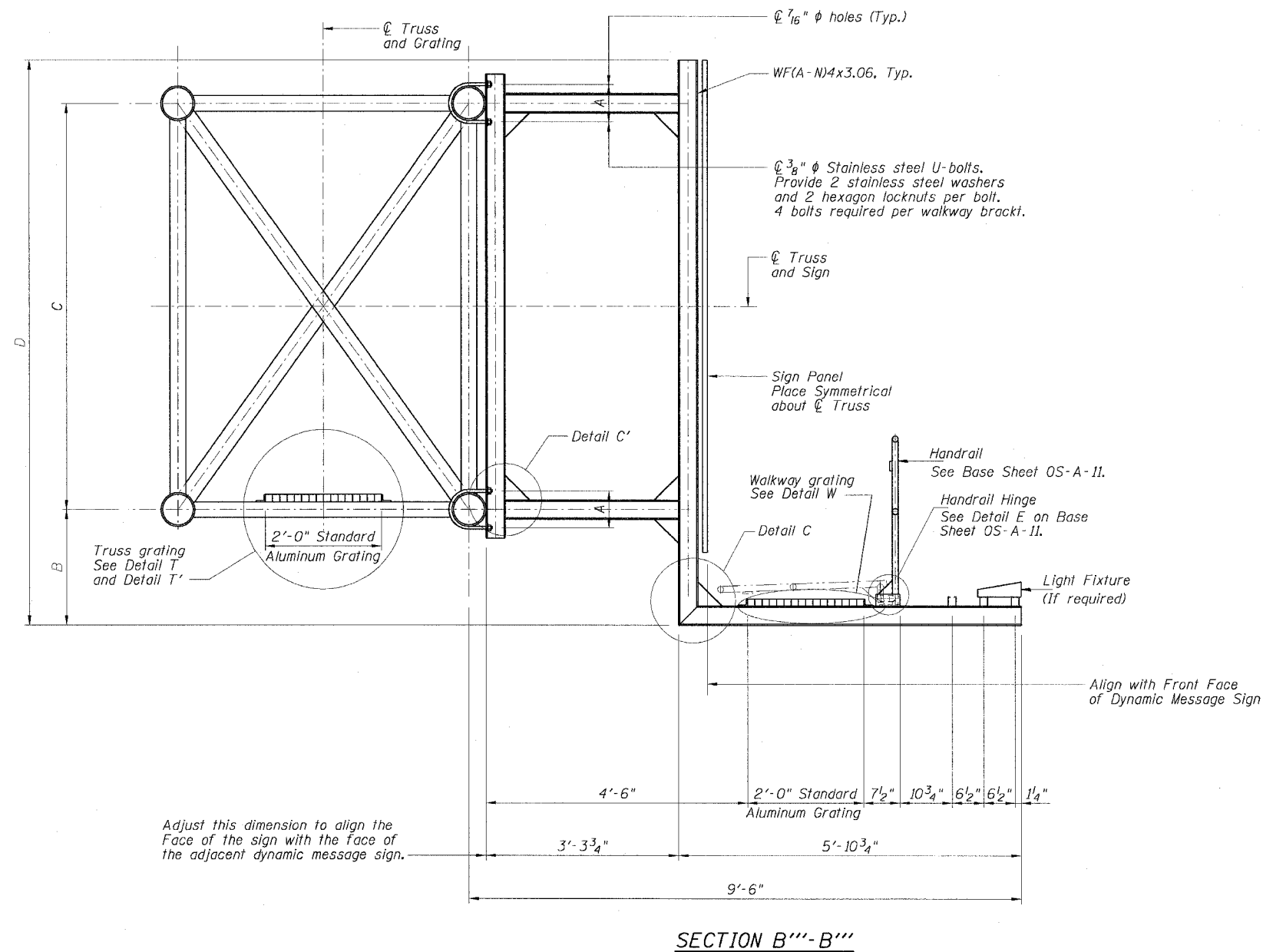


STATE OF ILLINOIS  
DEPARTMENT OF TRANSPORTATION

ROUTE NO.	SECTION	COUNTY	TOTAL SHEETS	SHEET NO.
F.A.I. RTE. 90/94		COOK	312	154
FED. ROAD DIST. NO. 1	ILLINOIS	FED. AID PROJECT-		

• (1919, 15 & 2021-922 PT.1) R-1 60A62



DESIGNED	- JSS
CHECKED	- RDP
DRAWN	- JSS
CHECKED	- RDP

20	EXAMINED
	ENGINEER OF STRUCTURAL SERVICES
	PASSED
	ENGINEER OF BRIDGES AND STRUCTURES

MODIFIED BY CTE ENGINEERS, INC FROM OS-A-9-DMS2

OSS-27

OVERHEAD SIGN STRUCTURES  
ALTERNATE ALUMINUM WALKWAY DETAILS

F.A.I. 90/94 (DAN RYAN EXPRESSWAY)  
63RD STREET TO GARFIELD BLVD (NB LOCAL LANES)  
PROPOSED IMPROVEMENT  
63RD STREET TO GARFIELD BLVD

6/27/2006 1:05:25 AM P:\P\06066\C\W\06066-Cnts 18 & 19\STRUCT 18\Signing\SS\06066-2A.dwg