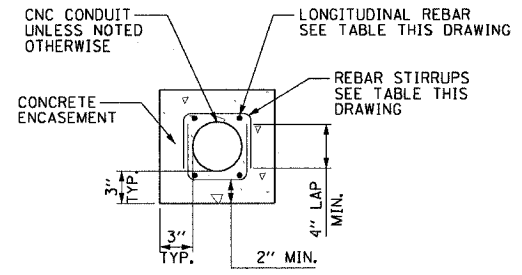
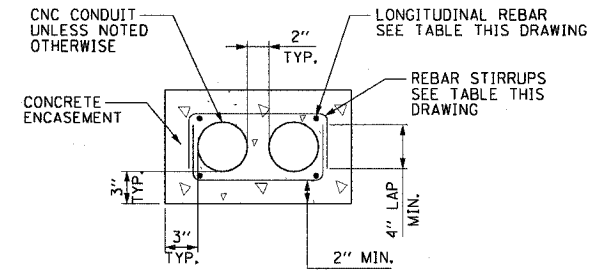


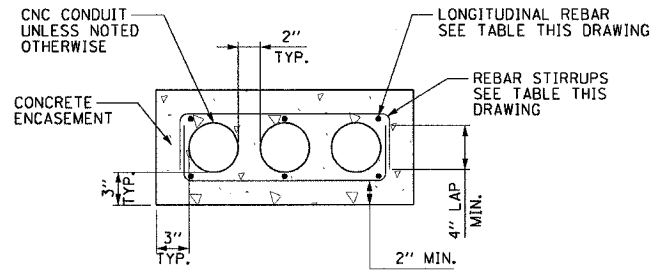
F.A.I. RTE.	SECTION	COUNTY	TOTAL SHEETS	SHEET NO.
90/94	*	COOK	312	191
STA.	TO STA.			
FED. ROAD DIST. NO. 1	ILLINOIS FED. AID PROJECT			
60A62	* (1919.15, 2021-922 PT1 & PT2) R-1			



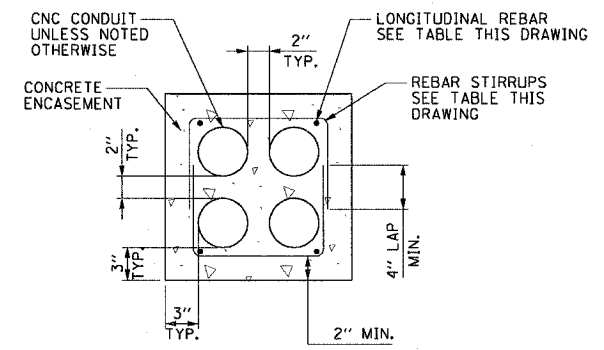
**1x1 DUCTBANK DETAIL-
IN REINFORCED CONCRETE**
NOT TO SCALE



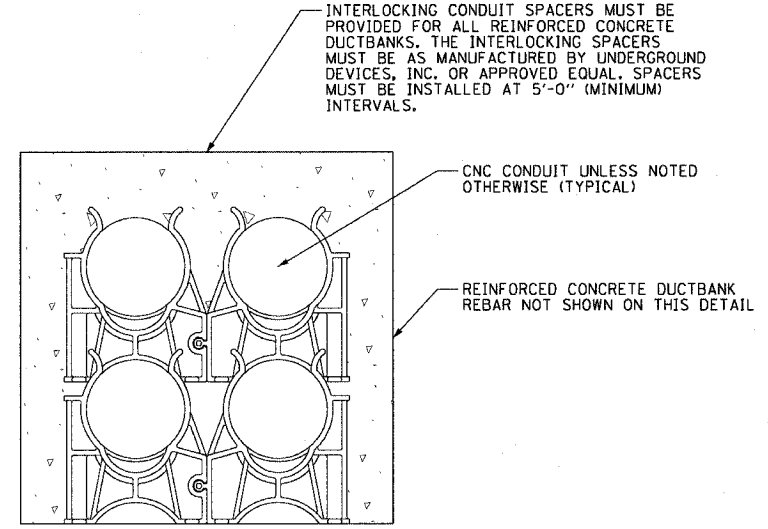
**2x1 DUCTBANK DETAIL-
IN REINFORCED CONCRETE**
NOT TO SCALE



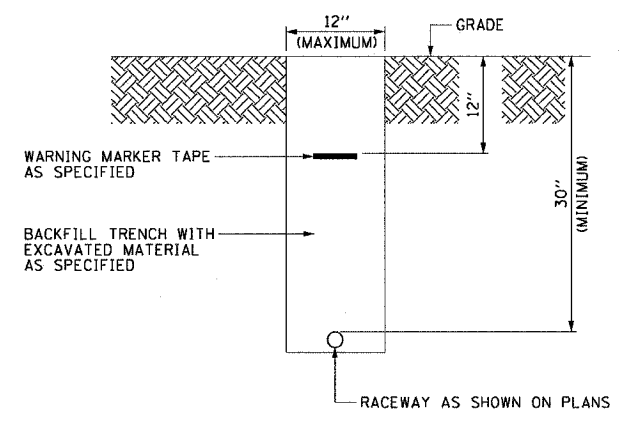
**3x1 DUCTBANK DETAIL-
IN REINFORCED CONCRETE**
NOT TO SCALE



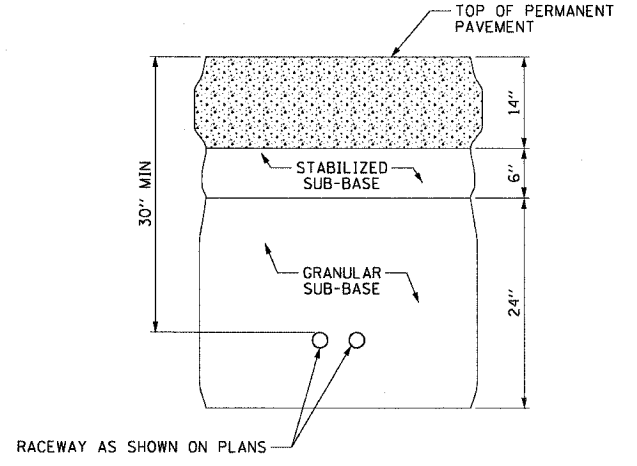
**2x2 DUCTBANK DETAIL-
IN REINFORCED CONCRETE**
NOT TO SCALE



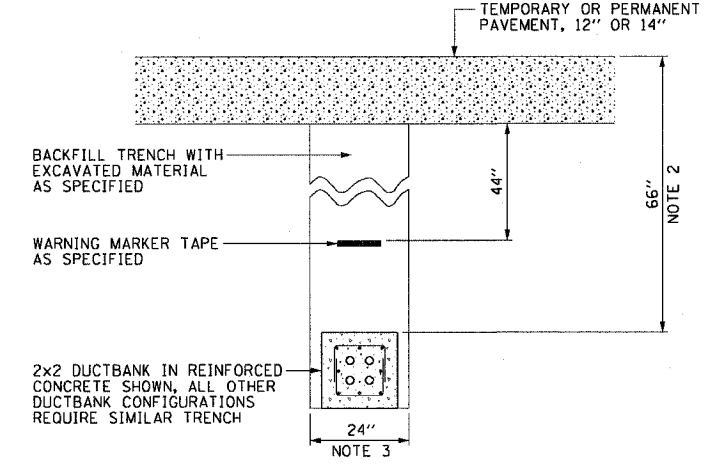
INTERLOCKING CONDUIT SPACER DETAIL
NOT TO SCALE



**TYPICAL ELECTRICAL
CONDUIT IN UNPAVED AREA**
NOT TO SCALE



**TYPICAL SURVEILLANCE
CONDUIT UNDER PERMANENT PAVEMENT**
NOT TO SCALE



**TYPICAL ELECTRICAL
DUCTBANK UNDER PAVEMENT**
NOT TO SCALE

NOTES:

- SEE DRAWINGS EI-100 AND EI-101 FOR ELECTRICAL SYMBOLS AND ABBREVIATIONS.
- PROVIDE MINIMUM CLEARANCE SHOWN FROM TOP OF DUCTBANK TO FINISHED GRADE FOR ALL DUCTBANKS, REGARDLESS OF SIZE, CONTRACTOR MUST INSTALL DUCTBANKS SUCH THAT THEY WILL CLEAR ALL UNDERGROUND OBSTACLES.
- TRENCH MUST HAVE MINIMUM WIDTH SHOWN FOR ALL DUCTBANKS DETAILED ON THIS DRAWING. THE CONTRACTOR MUST INCREASE TRENCH WIDTH FOR ADDITIONAL CONDUITS, AS DIRECTED BY THE COMMISSIONER, AT NO ADDITIONAL COST.
- NOT ALL DUCTBANK CONFIGURATIONS ARE SHOWN. ALL DUCTBANKS INSTALLED UNDER THIS CONTRACT WILL CONFORM TO THE TYPICAL SPACINGS SHOWN ON THIS DRAWING.

DUCTBANK REINFORCEMENT TABLE		
DUCTBANK CONCRETE CROSS-SECTIONAL AREA SQ. INCHES	LONGITUDINAL REBAR	REBAR STIRRUPS
	BARS	
LESS THAN 450	#4	#3 AT 12" SPACING
451 TO 650	#5	#3 AT 12" SPACING
GREATER THAN 651	#6	#3 AT 12" SPACING

REVISIONS	
NAME	DATE

ILLINOIS DEPARTMENT OF TRANSPORTATION
F.A.I. 90/94 (DAN RYAN EXPRESSWAY)
63RD STREET TO GARFIELD BLVD (NB LOCAL LANES)

ELECTRICAL DUCTBANK DETAILS

SCALE: NOT TO SCALE DRAWN BY: HAR
DATE: June 9, 2006 CHECKED BY: JPC

06/02/2006 02:47:38 PM