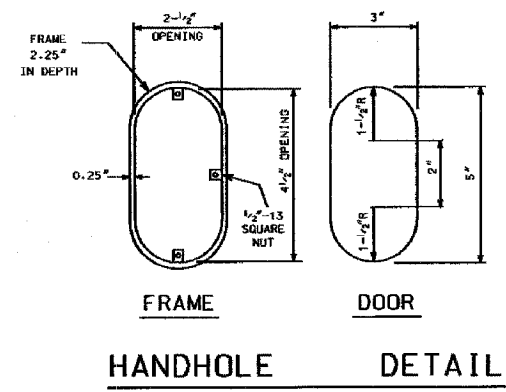
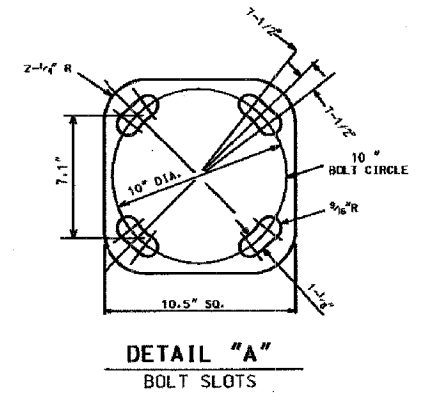
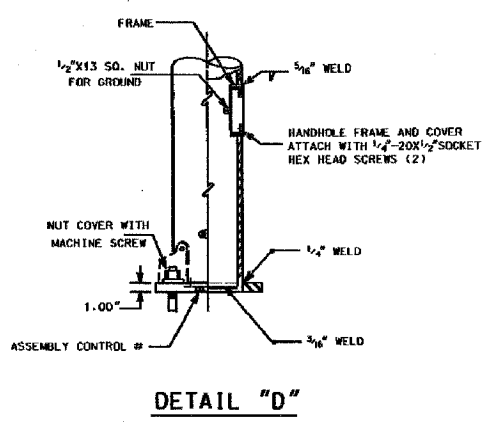
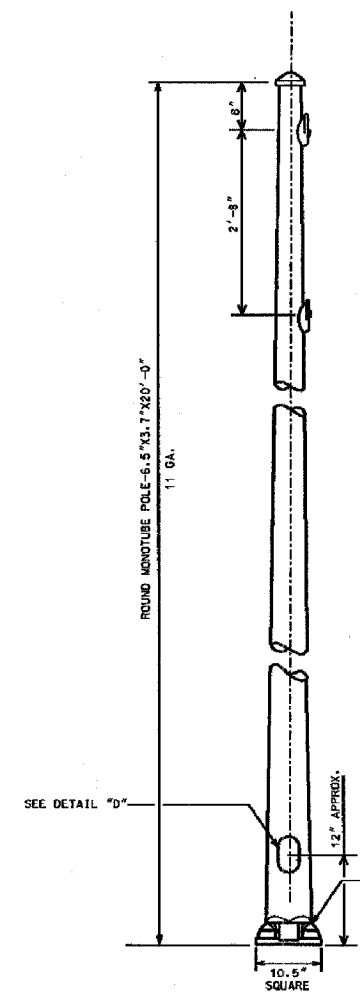
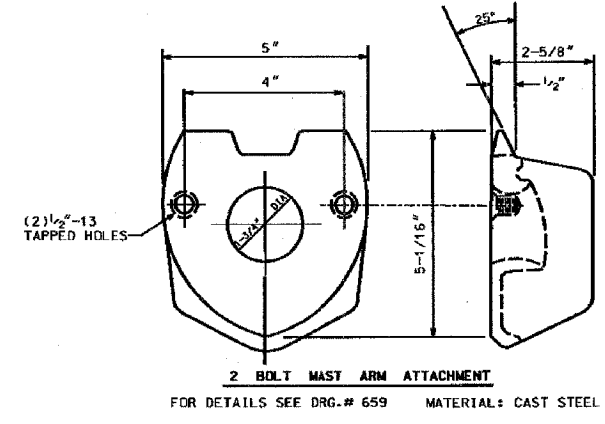
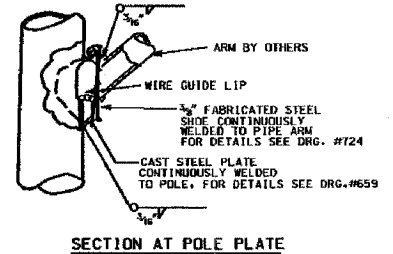
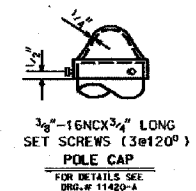


F.A.I. RTE.	SECTION	COUNTY	TOTAL SHEETS	SHEET NO.
90/94	*	COOK	312	203
STA.		TO STA.		
FED. ROAD DIST. NO. 1		ILLINOIS	FED. AID PROJECT	
60A62		* (1919.15, 2021-922 PT1 & PT2) R-1		

NOTES:

- THIS IS A STANDARD DRAWING MADE BY THE CITY OF CHICAGO, DEPARTMENT OF STREETS AND SANITATION, BUREAU OF ELECTRICITY. THIS DRAWING IS INCLUDED FOR THE CONVENIENCE OF THE CONTRACTOR.



3.7"x6.5" STEEL/20'-0" POLE
11 GAUGE

CITY OF CHICAGO
DEPT. OF STREETS AND SANITATION
BUREAU OF ELECTRICITY
DIVISION OF ELECTRIC ENGINEERING

DRAFTSMAN ROBERT IVY	CHIEF DRAFTSMAN ROBERT CARTER	ENGINEER RON POOL
SUPERVISING ENGINEER	ELEC. DESIGN ENGINEER	
ENGINEER OF ELECTRICITY		DWG. NO.
DEPT. Supt. OF ELECTRICITY		652
DEPUTY COMMISSIONER		10-03-01

REVISIONS	NAME	DATE

ILLINOIS DEPARTMENT OF TRANSPORTATION
F.A.I. 90/94 (DAN RYAN EXPRESSWAY)
63RD STREET TO GARFIELD BLVD (NB LOCAL LANES)

STANDARD BOE DETAILS

SCALE: NOT TO SCALE
DATE: June 9, 2006

DRAWN BY: HAR
CHECKED BY: JPC

P:\940468\elect\10-cmrs-18 & 19\contract\BOE\STANDARD\60A62.dwg