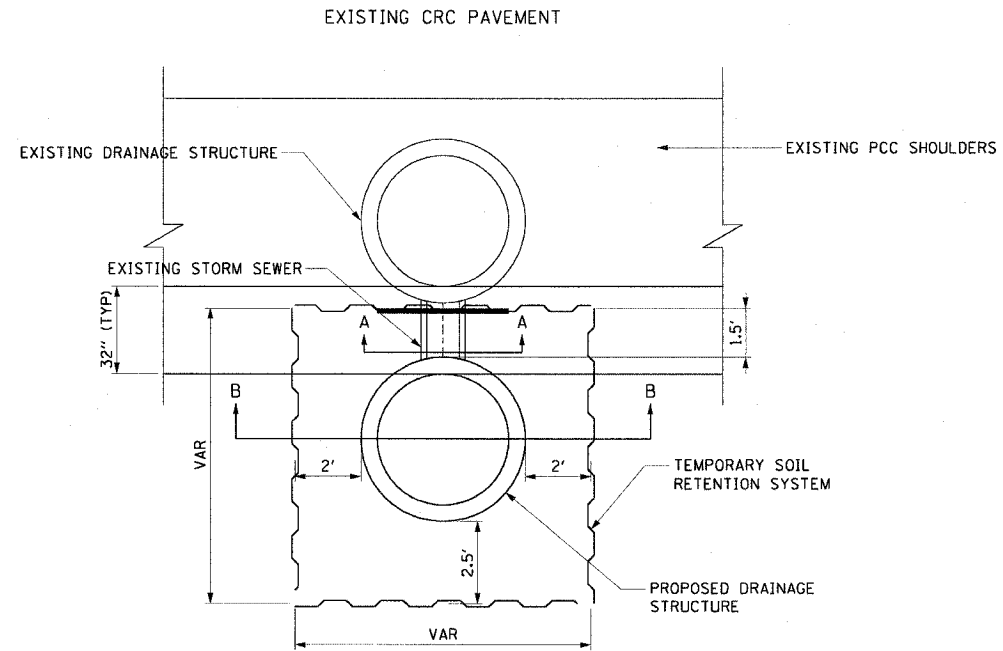


F.A.I. RTE.	SECTION	COUNTY	TOTAL SHEETS	SHEET NO.
90/94	*	COOK	312	224
STA.		TO STA.		
60A62		• (1919.15, 2021-922 PT1 & PT2) R-1		



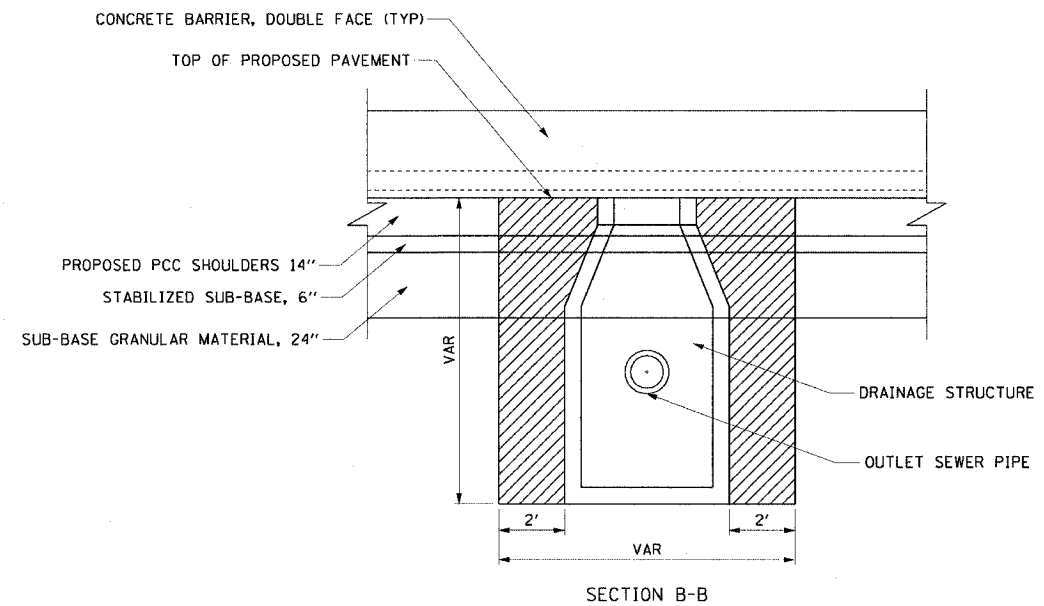
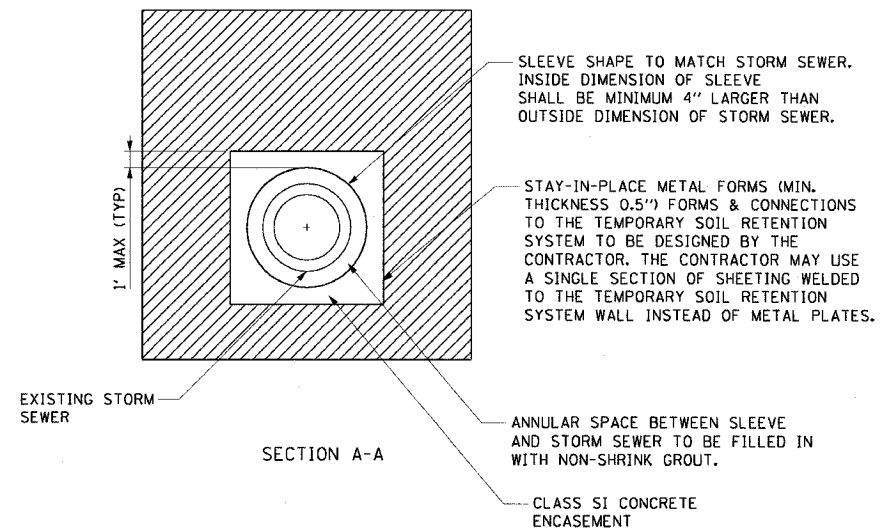
PLAN VIEW

NOTES

- STORM SEWER PENETRATIONS THROUGH THE TEMPORARY SOIL RETENTION SYSTEM WILL NOT BE PAID FOR SEPARATELY, BUT WILL BE INCLUDED IN THE COST FOR THE TEMPORARY SOIL RETENTION SYSTEM.

LEGEND

TEMPORARY SOIL RETENTION SYSTEM



SECTION B-B

CTE | AECOM

REVISIONS	
NAME	DATE

ILLINOIS DEPARTMENT OF TRANSPORTATION
 F.A.I. 90/94 (DAN RYAN EXPRESSWAY)
 63RD STREET TO GARFIELD BLVD (NB LOCAL LANES)

**DRAINAGE DETAILS
 TEMPORARY SOIL RETENTION SYSTEM**

SCALE: NONE
 DATE: June 9, 2006

DRAWN BY: RMG
 CHECKED BY: XXX

DDT-2

D:\p\0465\civil\B-ctrls JB & 19\ctrlr 180\roadway details\180022.dwg 9:33:16 AM 6/15/2006