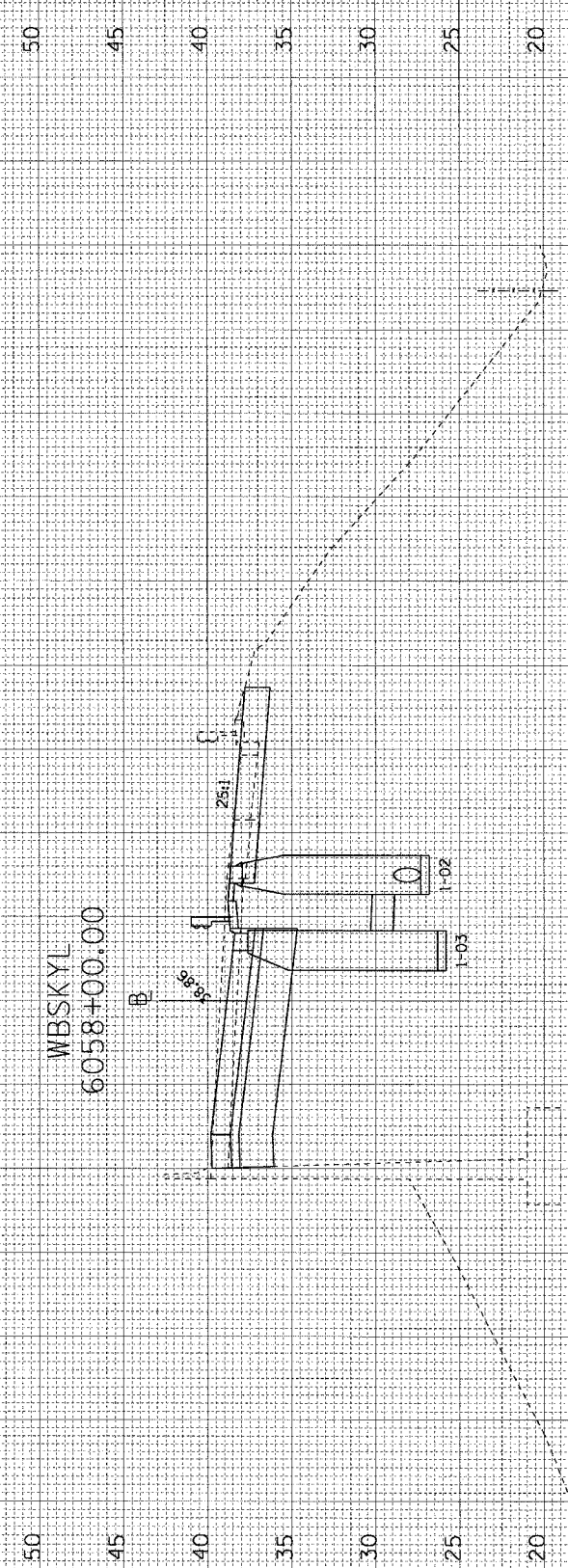


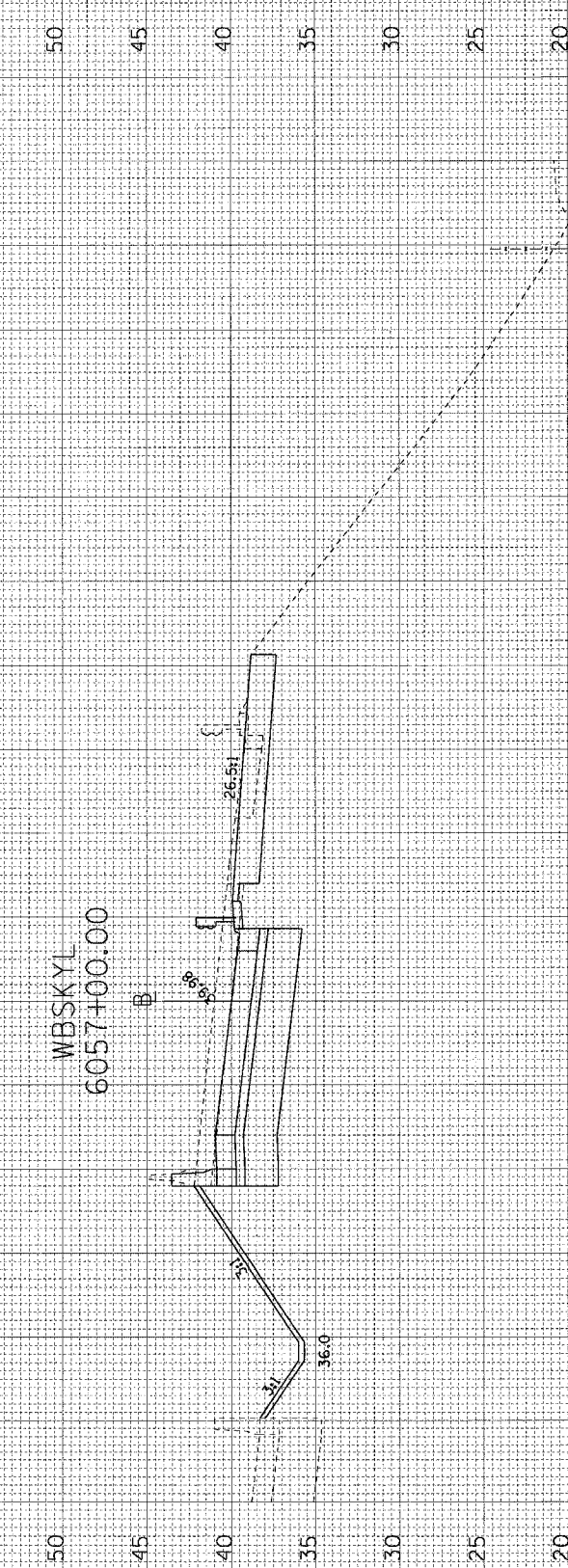
FINAL SURVEY BY DATE  
 SURVEYED BY DATE  
 NOTE BOOK NO. DATE  
 TEMPLATE NO. DATE  
 AREAS CHECKED

ORIGINAL SURVEY BY DATE  
 SURVEYED BY DATE  
 NOTE BOOK NO. DATE  
 TEMPLATE NO. DATE  
 AREAS CHECKED

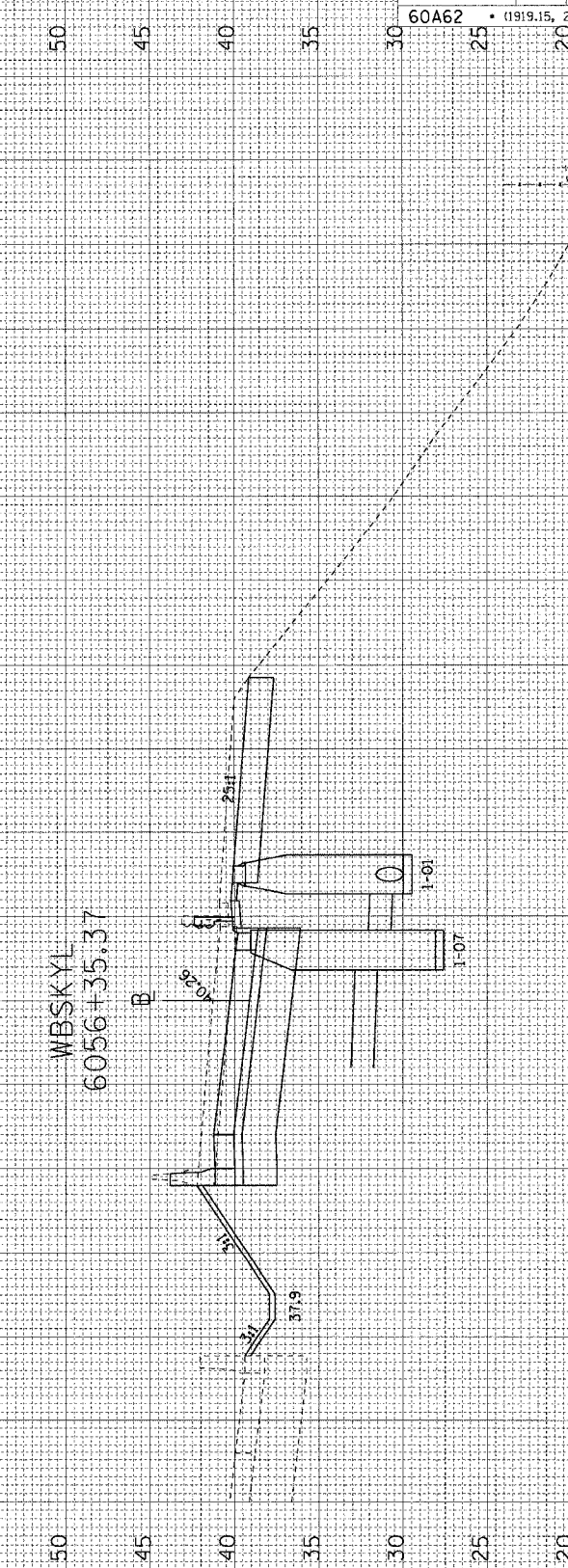
CTE | AECOM



CUT=99 FILL=2 UNSUITABLES=2 EX EXC (SPL)=0 6058+00.00



CUT=140 FILL=5 UNSUITABLES=21 EX EXC (SPL)=0 6057+00.00



CUT=155 FILL=4 UNSUITABLES=25 EX EXC (SPL)=0 6056+35.37

F.A.I. RTE.	SECTION	COUNTY	TOTAL SHEETS	SHEET NO.
90/94	•	COOK	312	280
FED. ROAD DIST. NO. 1 ILLINOIS FED. AID PROJECT				
60A62 • (1919.15, 2021-922 PT1 & PT2) R-1				

6/5/2006 9:27:09 AM  
 P:\P\60A62\60A62\18-cmts B & 18A\18-cmts B across sections\wbskyl\_280.dwg