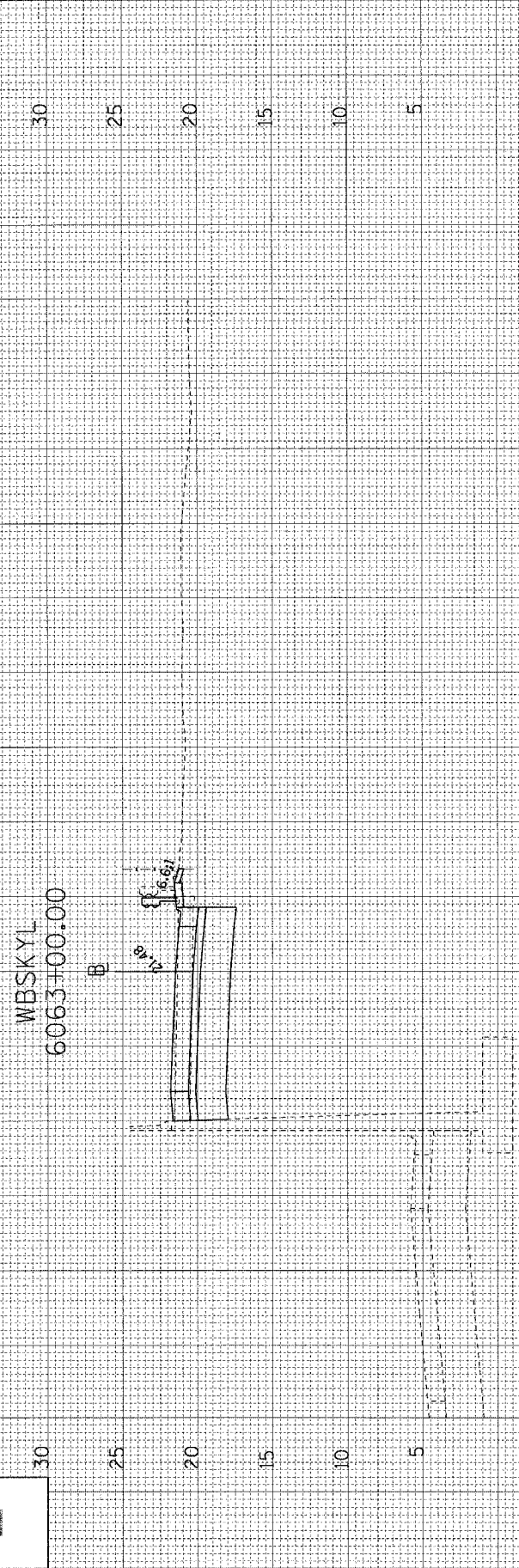


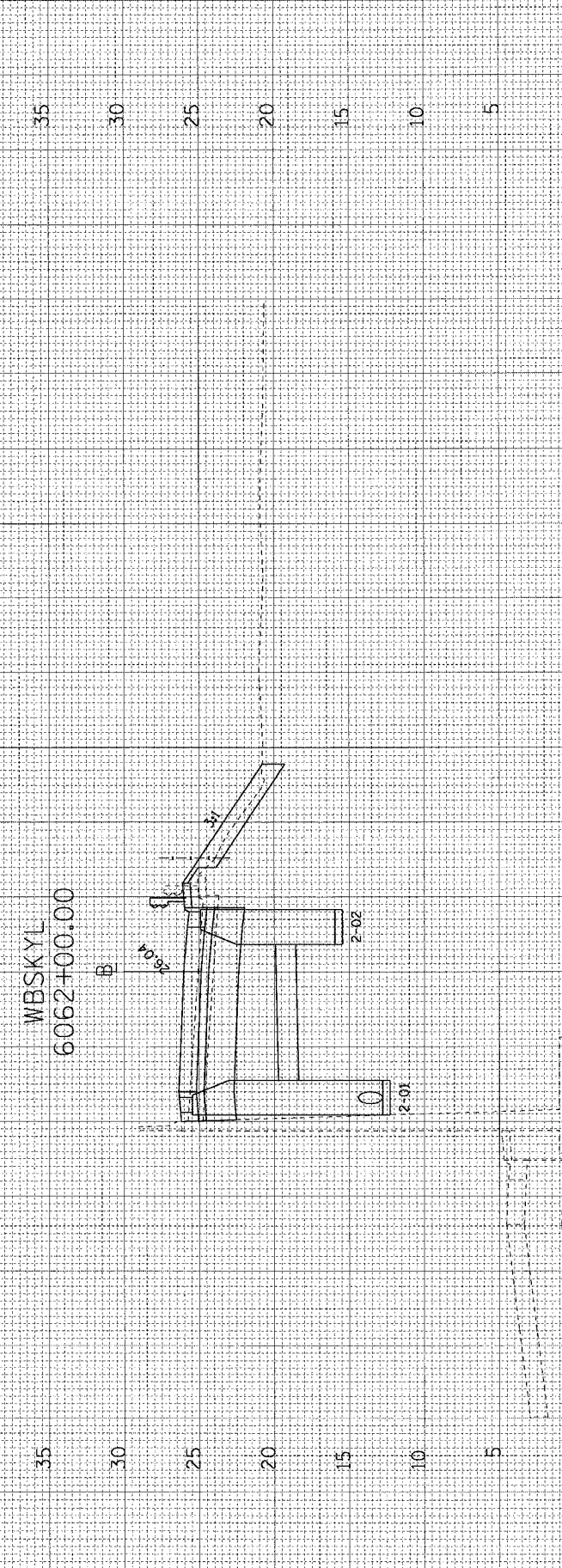
ORIGINAL SURVEY DATE
 SURVEYED BY
 NOTE BOOK NO.
 TEMPLATE AREAS CHECKED

FINAL SURVEY DATE
 SURVEYED BY
 NOTE BOOK NO.
 TEMPLATE AREAS CHECKED

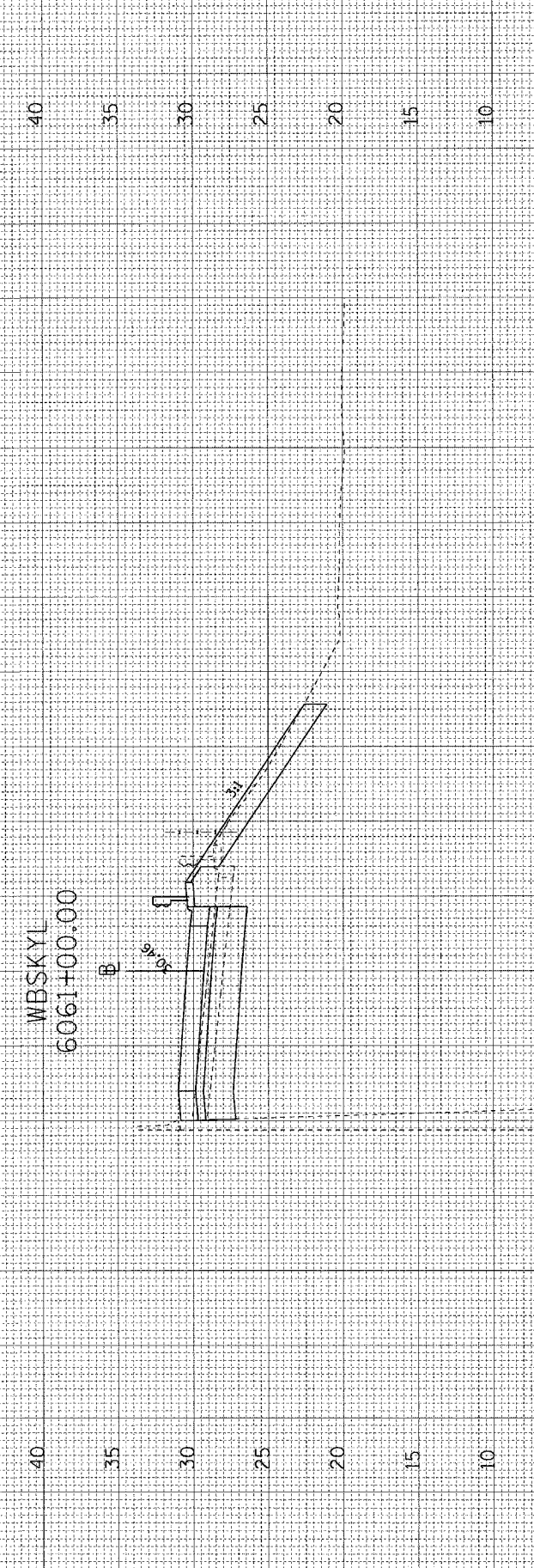
CTE | AECOM



CUT=70 FILL=1 UNSUITABLES=1 EX EXC (SPL)=0 6063+00.00



CUT=54 FILL=7 UNSUITABLES=7 EX EXC (SPL)=0 6062+00.00



CUT=54 FILL=14 UNSUITABLES=9 EX EXC (SPL)=0 6061+00.00

F.A.I. RTE.	SECTION	COUNTY	TOTAL SHEETS	SHEET NO.
90/94	•	COOK	312	282

FED. ROAD DIST. NO. 1	ILLINOIS	FED. AID PROJECT
60A62	• (1919.15, 2021-922 PT1 & PT2) R-1	