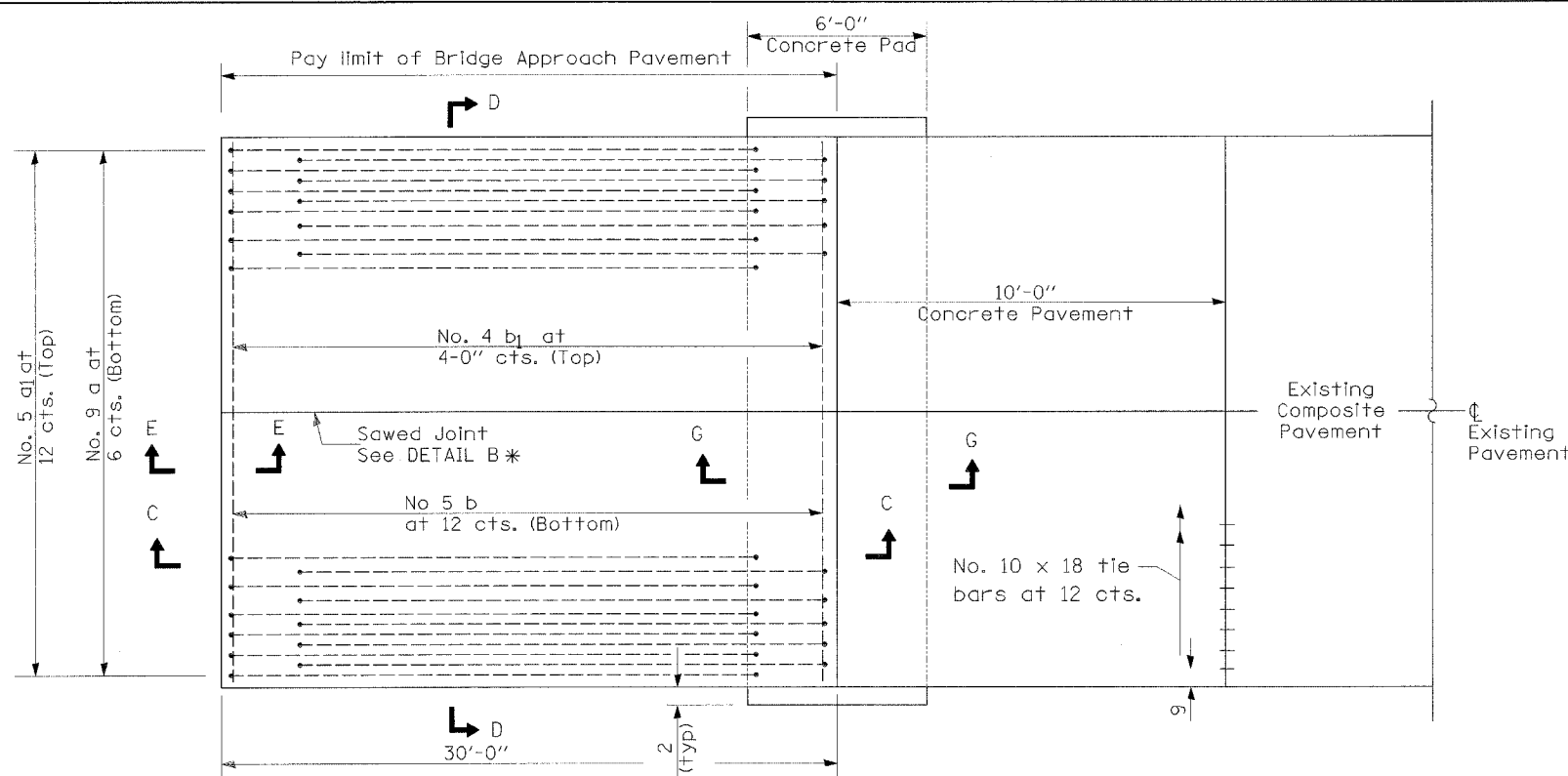


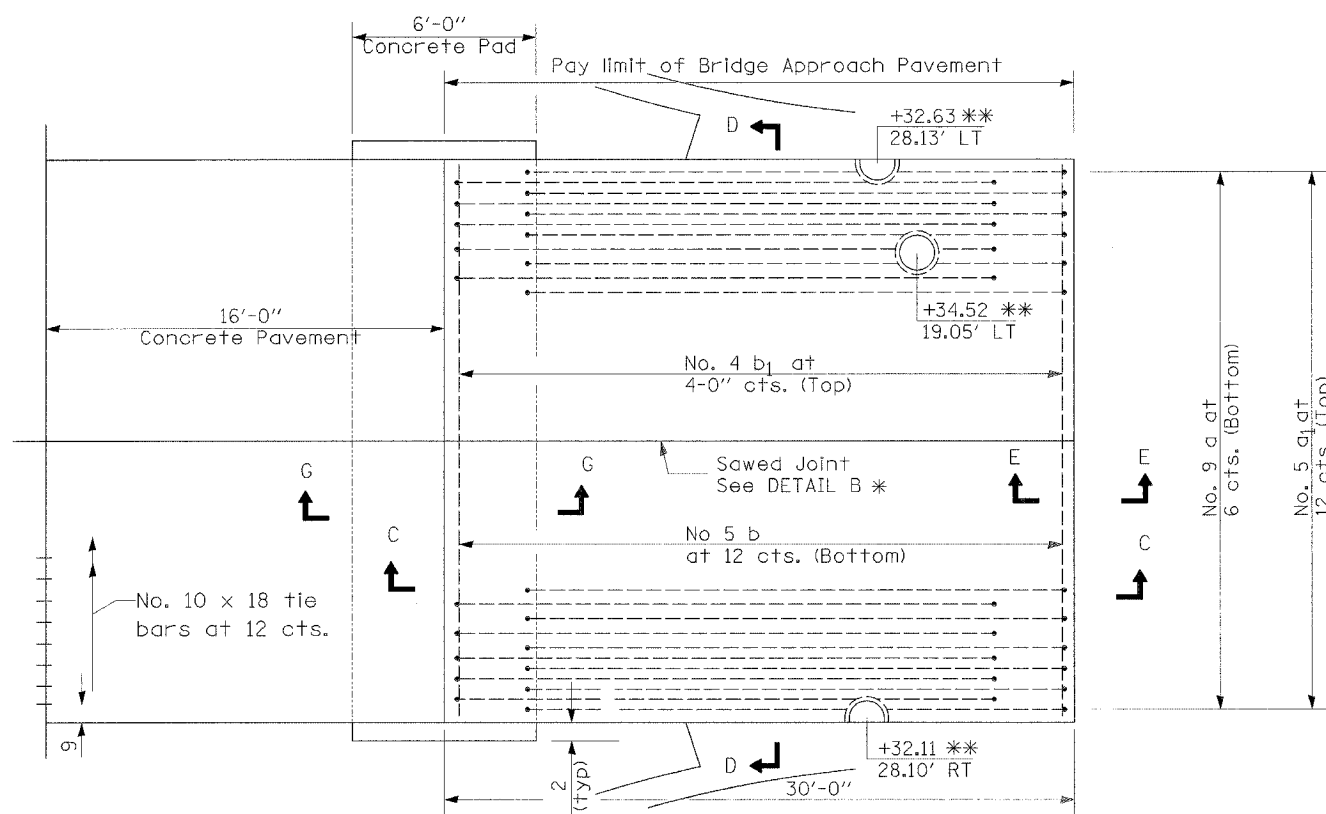
F.A.U. RTE.	SECTION	COUNTY	TOTAL SHEETS	SHEET NO.
1360	0101BR-2	COOK	90	19
FED. ROAD DIST. NO. 1 ILLINOIS FED. AID PROJECT				

CONTRACT NO. 60A65



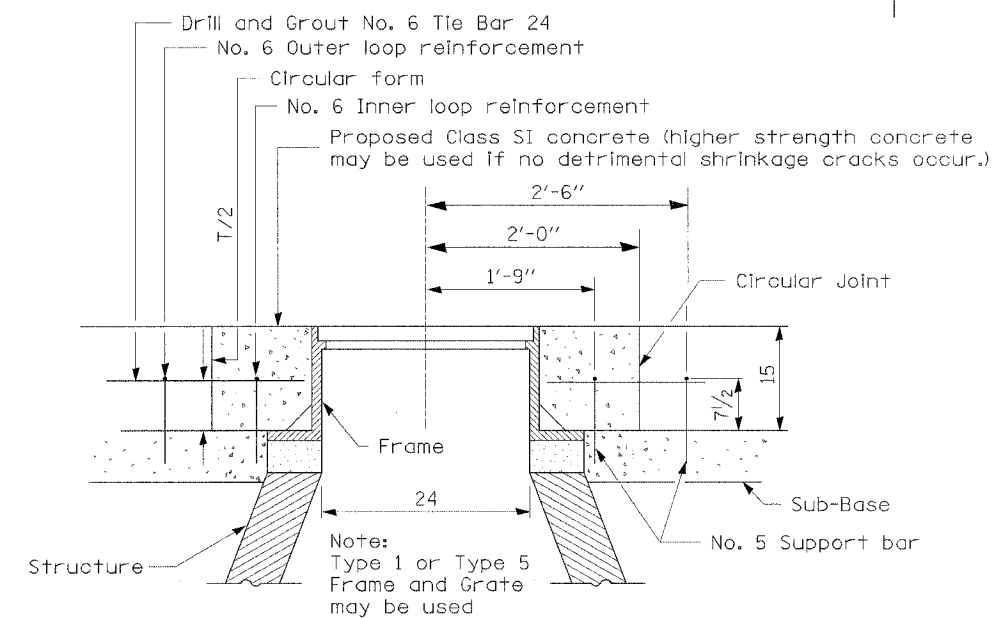
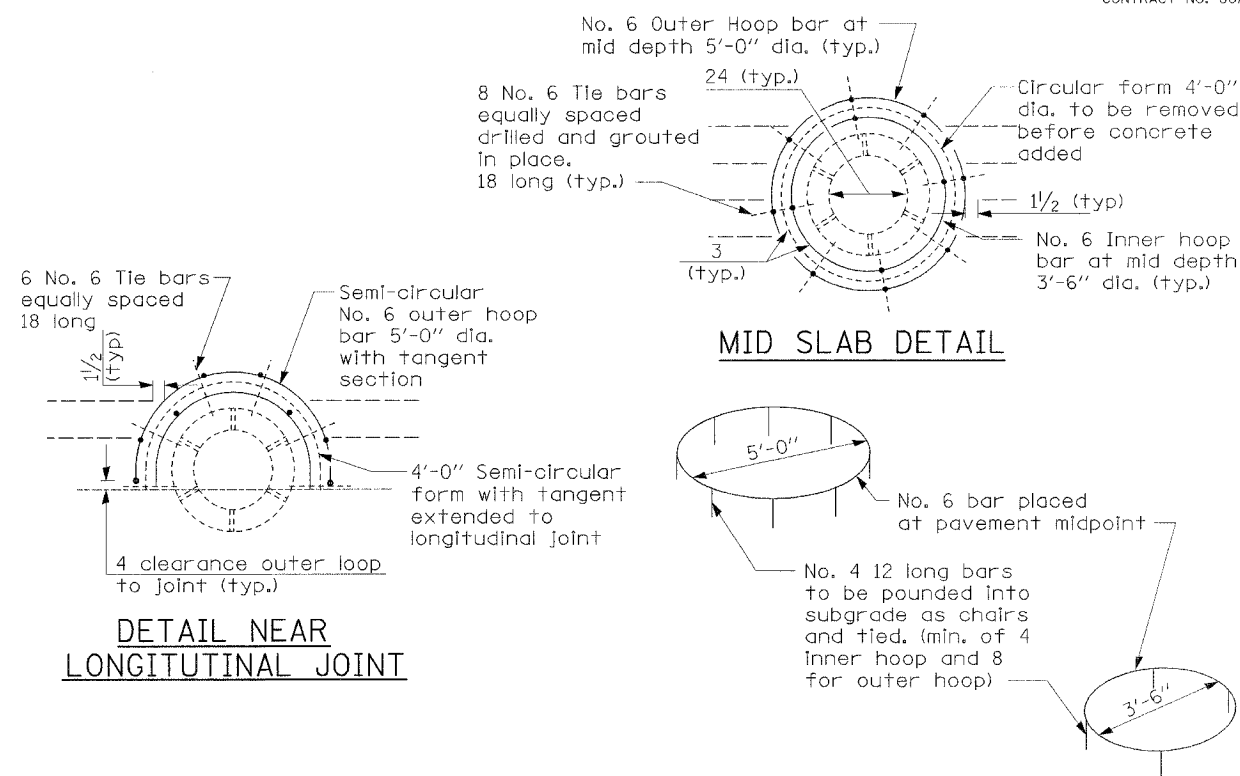
PLAN (EAST APPROACH)

* Saw ϕ or lane edge if poured two or more lane widths at a time.



PLAN (WEST APPROACH)

* Saw ϕ or lane edge if poured two or more lane widths at a time.
 ** Verify measurements in field.



DETAIL OF REINFORCEMENT FOR PAVEMENT ROUNDOUT

All dimensions are in inches unless otherwise shown.

<p>Excellence through Ownership</p> <p>200 West Front Street Wheaton, IL 60187</p>	REVISIONS		ILLINOIS DEPARTMENT OF TRANSPORTATION F.A.U. ROUTE 1360 (FOSTER AVENUE) BRIDGE APPROACH PAVEMENT DETAILS SCALE: VERT. HORIZ. DATE: JUNE 30, 2006 DRAWN BY: NEC CHECKED BY: SPF
	NAME	DATE	

6/29/2006 3:35:35 PM x:\1182518\cadd\cadd\1182518_AppPrint_01.dgn