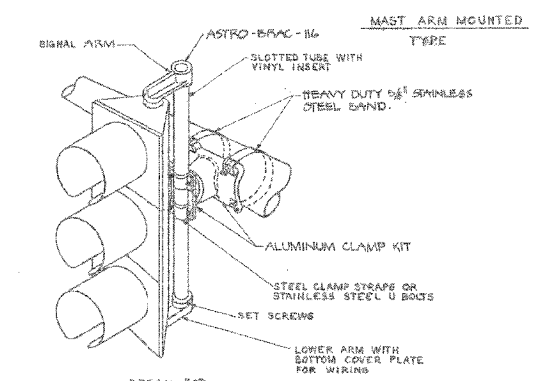


**NOTE:**  
OVERHEAD SIGNALS SHALL HAVE A MINIMUM CLEARANCE OF 15'-0" ABOVE PAVEMENT GRADE.

**NOTE:** ALL HOLES ARE TO BE DRILLED IN POLES OR POSTS. CARE SHOULD BE TAKEN TO SEE THAT NO MORE THAN TWO HOLES ARE DRILLED IN THE SAME HORIZONTAL PLANE SO AS NOT TO WEAKEN THE OVERALL STRENGTH OF THE MATERIAL.



**DETAIL "A"**  
**STEEL MAST ARM MOUNTING DETAIL**  
FOR OPTICALLY PROGRAMMED SIGNAL  
LONGER SIGNAL ARMS REQUIRED. (ASTRO-BRAC AB-102)

APPROVED AS WORKING PLAN		FEDERAL-AID PROJECT	
BY		SECTION	
REVISIONS OF WORKING PLAN		COUNTY	
		TOTAL SHEETS	
		SHEET NO.	
FHWA REG. NO.		ILLINOIS PROJECT	
DATE	REVISION		
WORK ORDER NO.	DATE		
COST ALLOCATION ACCOUNT	MATERIAL		
APPROPRIATION ACCOUNT	LABOR		
<b>TYPICAL TRAFFIC SIGNAL MOUNTING DETAILS</b>			
<b>CITY OF CHICAGO</b> DEPT. OF STREETS AND SANITATION BUREAU OF ELECTRICITY DIVISION OF ELECTRICAL ENGINEERING			
DESIGNED BY	CHECKED BY	ENGINEER	DWG. NO.
R. F. [Signature]	R. S. [Signature]	M. [Signature]	834
ENGINEER OF ELECTRICITY	SUPERVISING ENGINEER		DWG. NO.
[Signature]	[Signature]		[Signature]
DEPT. ENGINEER	DEPT. ENGINEER		DATE
[Signature]	[Signature]		12-10-04
SCALE	DATE		
N.T.S.	12-10-04		

6/29/2006 6:38:28 PM K:\1182519\Cadd\1182519-1\14803.dgn

**EJM** EJM ENGINEERING, INC.  
411 South Wells Street Suite 600  
Chicago, Illinois 60607

ILLINOIS DEPARTMENT OF TRANSPORTATION  
**FOSTER AVE. BRIDGE OVER I-94**  
STANDARD SIGNAL DRAWINGS  
SHEET 3 OF 5

REVISIONS	
NAME	DATE

SCALE: 1"=20'  
DATE: JUNE 30, 2006  
DRAWN BY: PRK  
CHECKED BY: GR