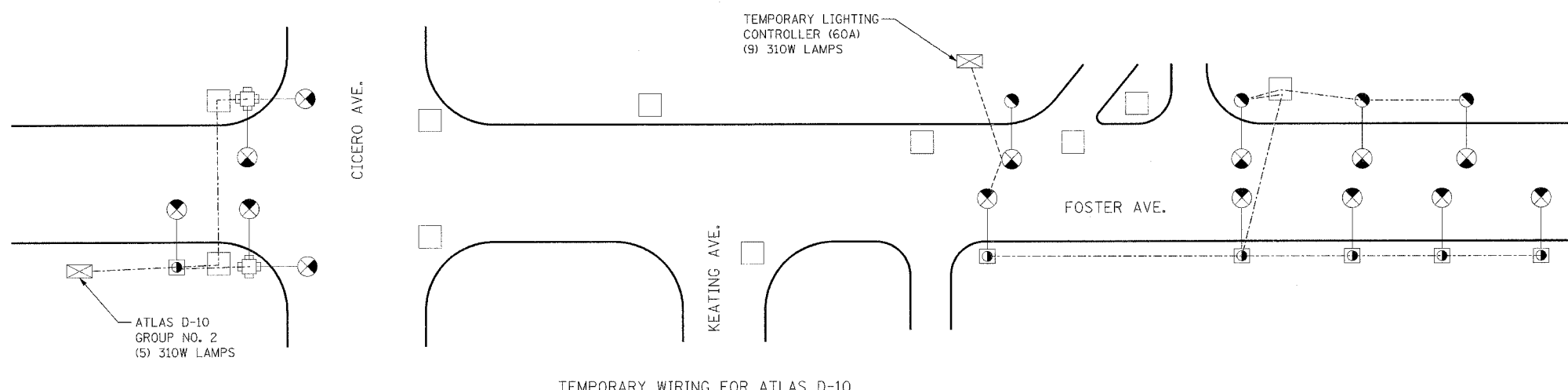
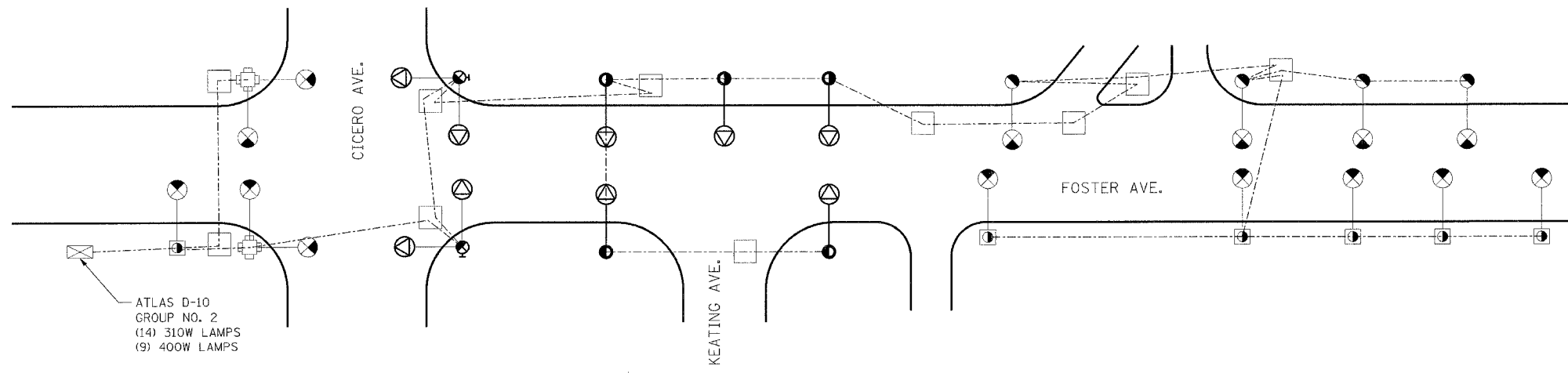


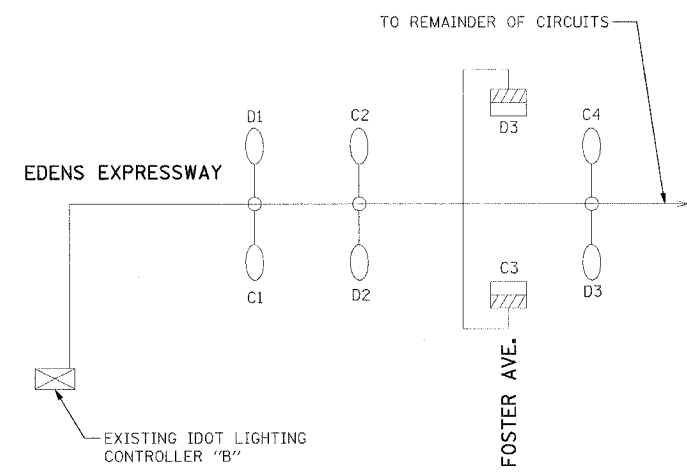
EXISTING WIRING FOR ATLAS D-10



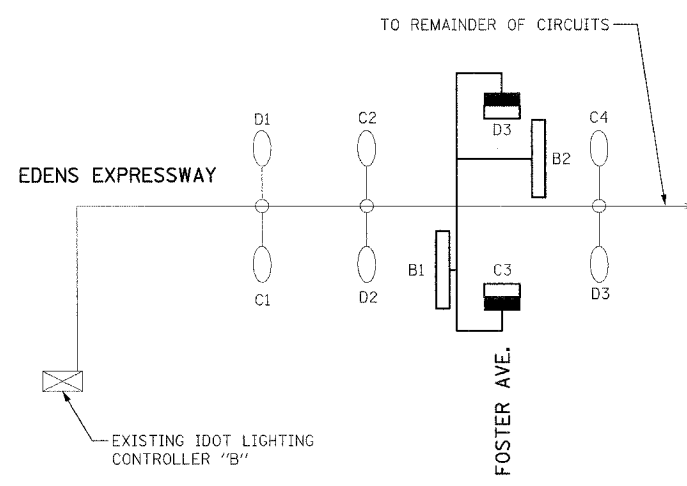
TEMPORARY WIRING FOR ATLAS D-10



PROPOSED WIRING FOR ATLAS D-10



EXISTING WIRING DIAGRAM FOR CONTROLLER "B"



PROPOSED WIRING DIAGRAM FOR CONTROLLER "B"

6/23/2006 6:41:24 PM K:\182515\CGCD\EX\A-E-07.dgn

EJM EJM ENGINEERING, INC.
411 South Wells Street Suite 800
Chicago, Illinois 60607

REVISIONS	
NAME	DATE

ILLINOIS DEPARTMENT OF TRANSPORTATION
FOSTER AVE. BRIDGE OVER I-94
WIRING DIAGRAMS
SCALE: NONE
DATE: JUNE 30, 2006
DRAWN BY: JDM
CHECKED BY: RES