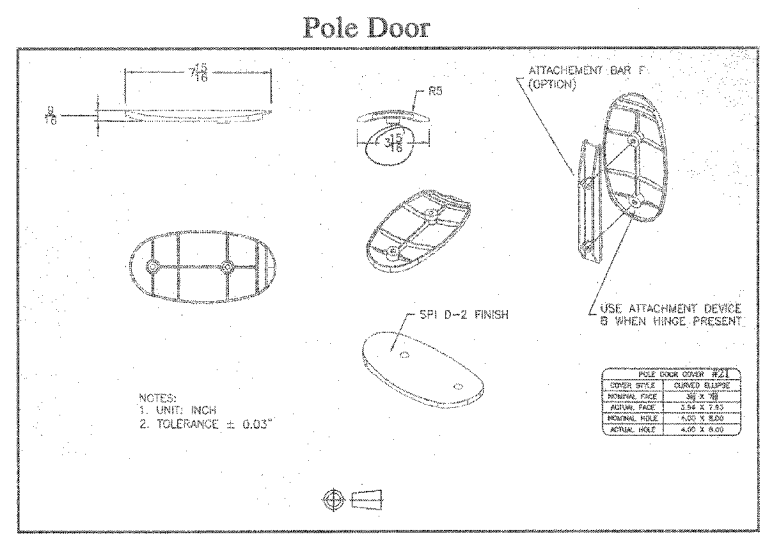
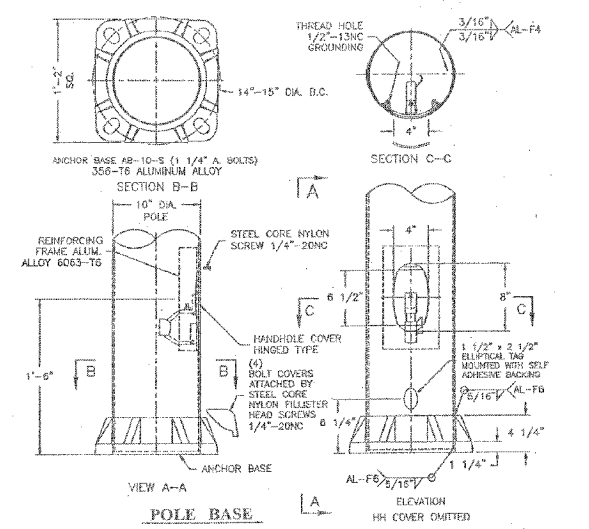
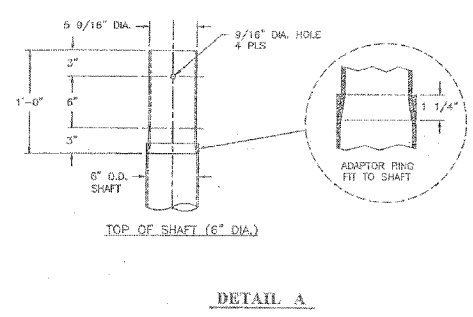
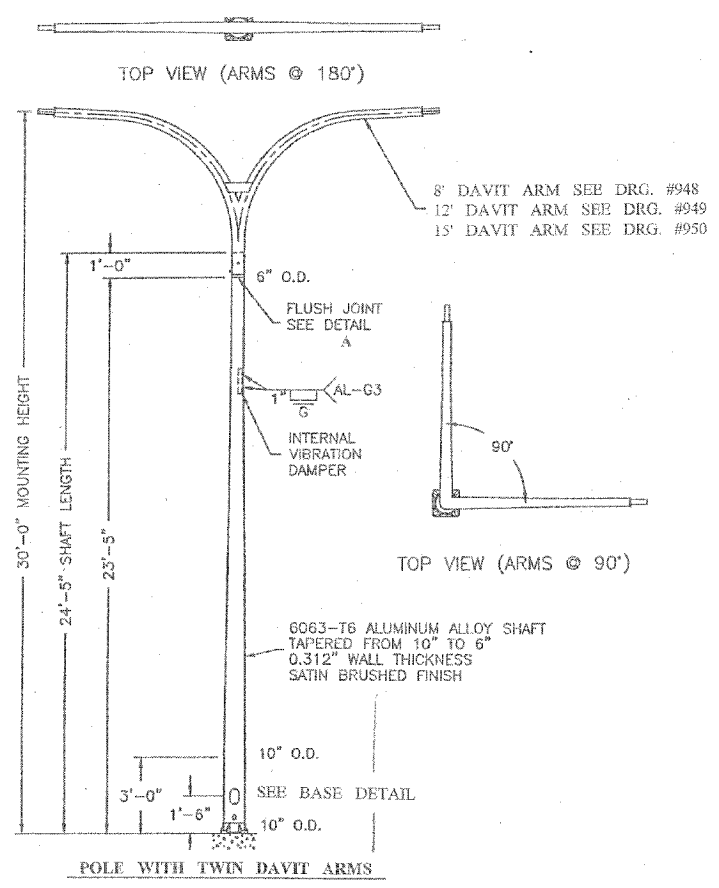
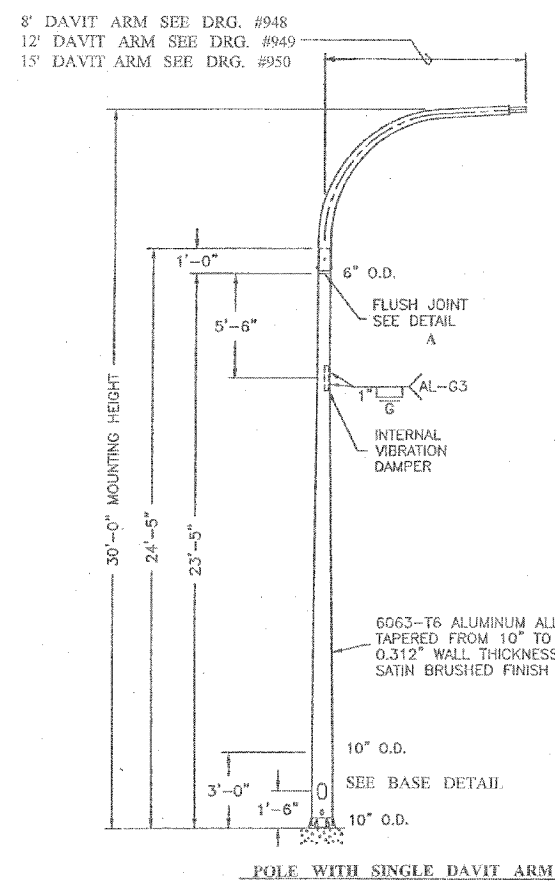


F.A.I.J. RTE.	SECTION	COUNTY	TOTAL SHEETS	SHEET NO.
1360	0101BR-2	COOK	90	44
FED. ROAD DIST. NO. 1 ILLINOIS		FED. AID PROJECT		
CONTRACT NO. 60A65				



**ALUMINUM DAVIT POLE**  
10" x 6" x 24'-5"  
FOR ARTERIAL STREETS

**CITY OF CHICAGO**  
DEPT. OF STREETS AND MAINTENANCE  
BUREAU OF ELECTRICITY  
DIVISION OF ELECTRICAL ENGINEERING

DRAFTSMAN: [Signature] ENGINEER: [Signature]  
SUPERVISING ENGINEER: [Signature] D.W.G. NO.: [Signature]  
ENGINEER OF ELECTRICITY: [Signature]  
GEN. SUPV. OF ELECTRICITY: [Signature]  
DEPT. OF STREETS AND MAINTENANCE  
BUREAU OF ELECTRICITY  
DIVISION OF ELECTRICAL ENGINEERING

DATE: 1-29-02

941

NO.	BY	DATE	REVISIONS	DESCRIPTION
REVISIONS				
<b>EJM ENGINEERING, INC.</b> 411 South Wells Street Suite 800 Chicago, Illinois 60607				
<b>FOSTER AVE. BRIDGE OVER I-94</b>				
<b>STANDARD ELECTRICAL DRAWINGS</b>				
CONSULTANT: R.J.M. GROUP, INC. 200 W. FRONT ST. WHEATON, IL 60187				
<b>CITY OF CHICAGO</b> DEPARTMENT OF TRANSPORTATION DIVISION OF ENGINEERING CITY OF CHICAGO DEPT. OF STREETS AND MAINTENANCE BUREAU OF ELECTRICITY DIVISION OF ELECTRICAL ENGINEERING				
DRAWN	JUM	SHEET NO.		<b>E-12</b>
CHECKED	RES			
APPROVED				
DATE	JUNE 30, 2006			
SCALE	NONE			
CONTRACT NO. PROJECT NO. E-4-42				

6/29/2006 6:48:20 PM K:\JIB2515\0604\DRAWING\2.dwg