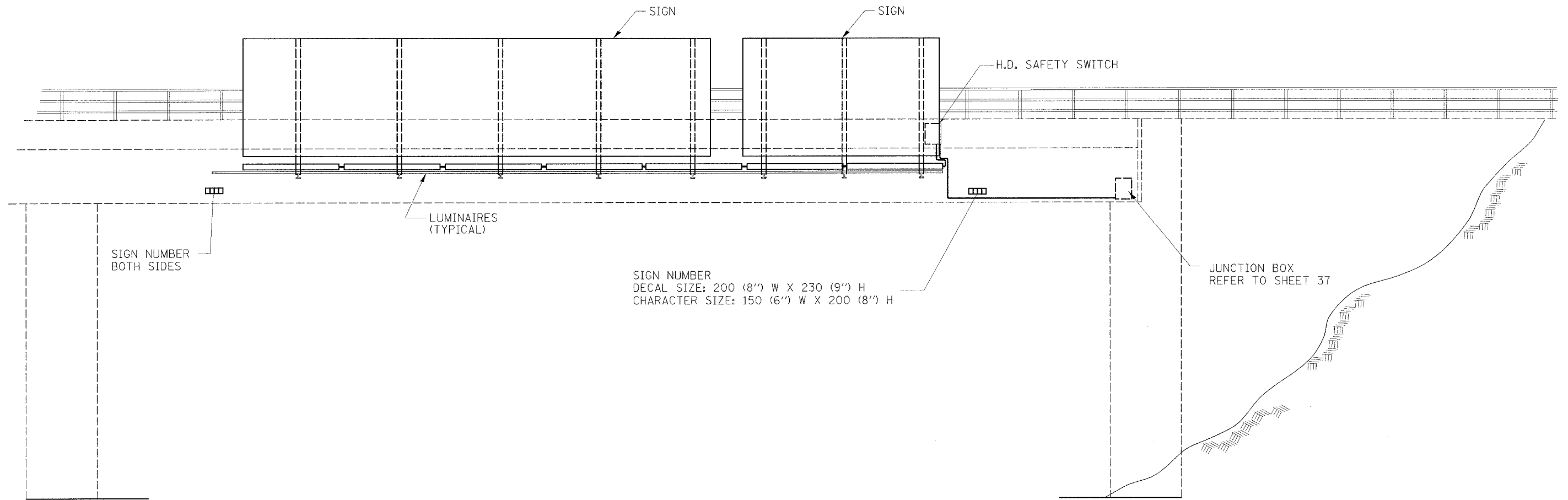
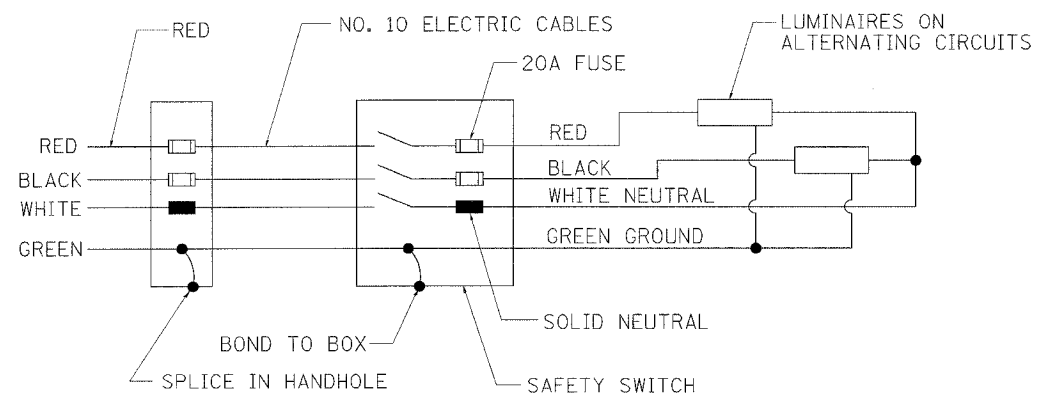


F.A. RTE.	SECTION	COUNTY	TOTAL SHEETS	SHEET NO.
1360	0101BR-2	COOK	90	47
STA.		TO STA.		
FED. ROAD DIST. NO. 1		ILLINOIS	FED. AID PROJECT	

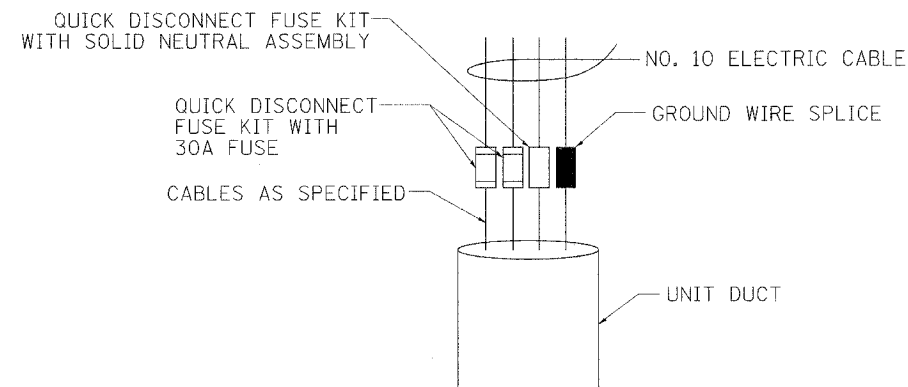


NOTES:

1. ALL DIMENSIONS ARE IN MILLIMETERS (INCHES) UNLESS OTHERWISE SHOWN
2. ALL CONDUIT ATTACHED TO STRUCTURE SHALL BE GALVANIZED RIGID METALIC CONDUIT, PVC COATED (GRMC, PVC)
3. THE USE OF LIQUID TIGHT METAL CONDUIT (TYPE LFMC) SHALL BE LIMITED TO LOCATIONS WHERE MOVEMENT IS ANTICIPATED AND SHALL NOT EXCEED 1.5M (5') IN LENGTH
4. ALL WORK INDICATED SHALL BE INCLUDED IN THE PAY ITEM FOR ELECTRIC CONNECTION TO SIGN STRUCTURE



WIRING DIAGRAM



DETAIL A

NOTE: THIS DRAWING PREPARED BY IDOT

REVISIONS	
NAME	DATE

ILLINOIS DEPARTMENT OF TRANSPORTATION
ELECTRIC CONNECTION
TO SIGN STRUCTURE
BRIDGE MOUNTED
1 OF 2

SCALE: VERT. N/A
HORIZ. N/A
DATE JUNE 30, 2006

DRAWN BY
CHECKED BY