

Contract #60A65

GENERAL NOTES

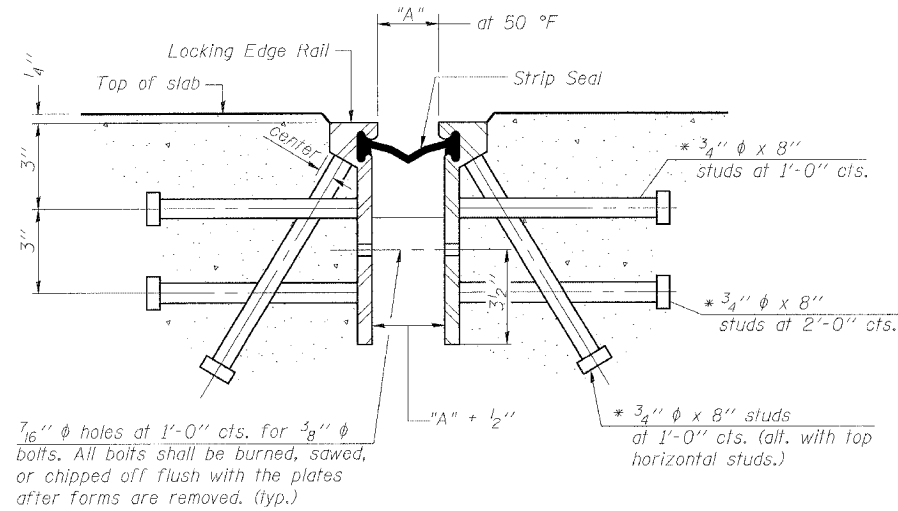
The strip seal shall be made continuous and shall have a minimum thickness of 1/4". The configuration of the strip seal shall match the configuration of the Locking Edge Rails.

The height and thickness of the Locking Edge Rails shown are minimum dimensions. The actual configuration of the Locking Edge Rails and matching strip seal may vary from manufacturer to manufacturer. Flanged edge rails will not be allowed.

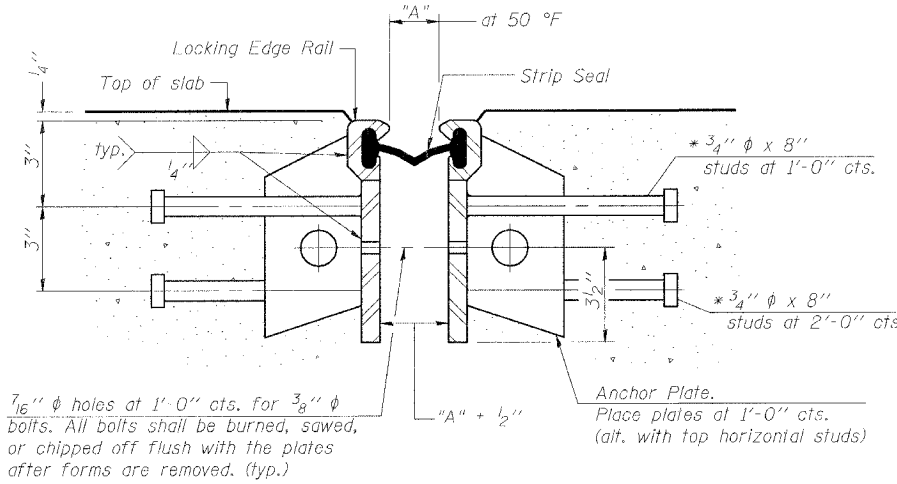
Locking Edge Rails may be spliced at slope discontinuities and stage construction joints.

The manufacturer's recommended installation methods shall be followed.

The joint opening and deck dimensions detailed on the superstructure are based on a preformed joint seal. If the contractor elects to use the alternate strip seal joint, the opening and deck dimensions shall be modified according to the dimensions detailed on this sheet. Required modifications shall be made at no additional cost to the State.



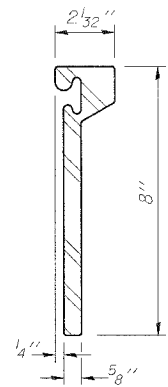
Required Strip Seal rated movement	"A"
1"	1 1/8"
2"	1 3/4"



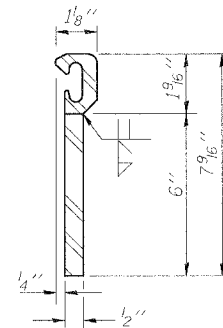
SECTION THRU ROLLED RAIL EXP. JOINT
(756 Studs Required)

* Granular or solid flux filled headed studs conforming to Article 1006.32 of the Std. Specs., automatically end welded.

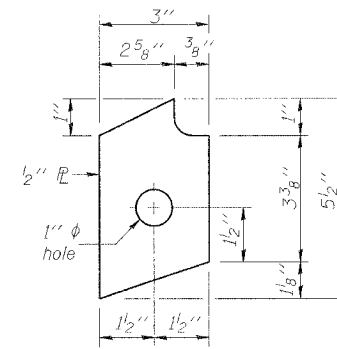
SECTION THRU WELDED RAIL EXP. JOINT
(456 Studs Required)
(300 Anchor Plates Required)



ROLLED (EXTRUDED) RAIL

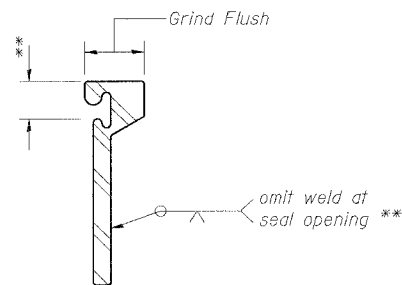


WELDED RAIL



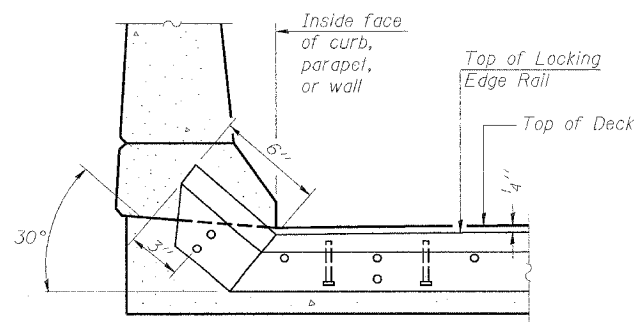
ANCHOR PL
(for welded rail)

LOCKING EDGE RAILS

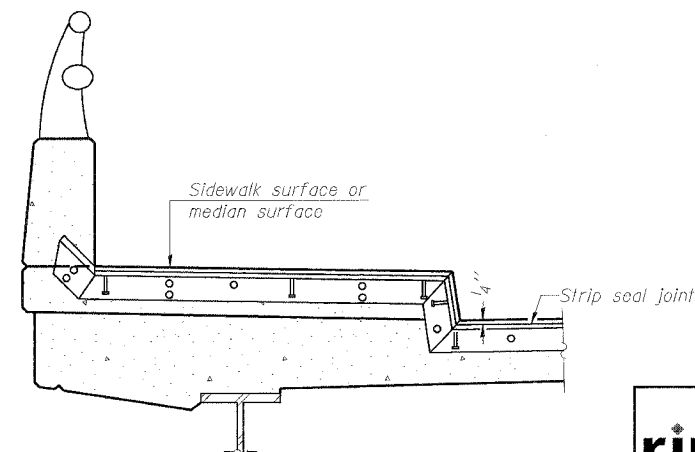


LOCKING EDGE RAIL SPLICE

The inside of the locking edge rail groove shall be free of weld residue.



AT CURB, PARAPET, OR WALL



AT SIDEWALK OR MEDIAN*

* Shorter plates with a single row of studs at 12" centers may be necessary on medians which are shallower than 9". See manufacturer's recommendation.

TYPICAL END TREATMENTS

 Excellence through Ownership 200 West Front Street Wheaton, IL 60187	ILLINOIS DEPARTMENT OF TRANSPORTATION
	BRIDGE JOINT SYSTEM - EXPANSION (ALTERNATE -STRIP SEAL)
	FOSTER AVE. OVER I-94 (EDENS EXPRESSWAY) FAU RTE 1360 - SECTION 0101BR-2 COOK COUNTY
	STATION 100+00 STRUCTURE NO. 016-0246 DRAWN BY LCM CHECKED BY BLB
	DATE: 4/30/2006