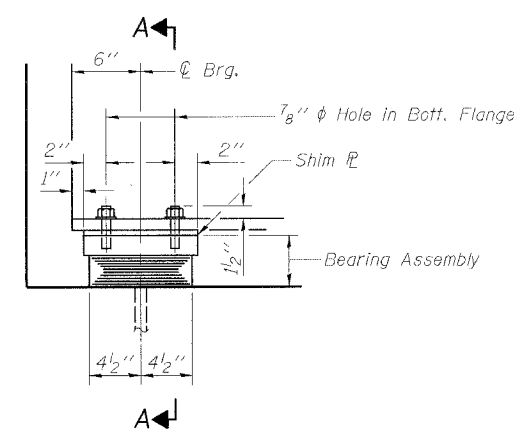
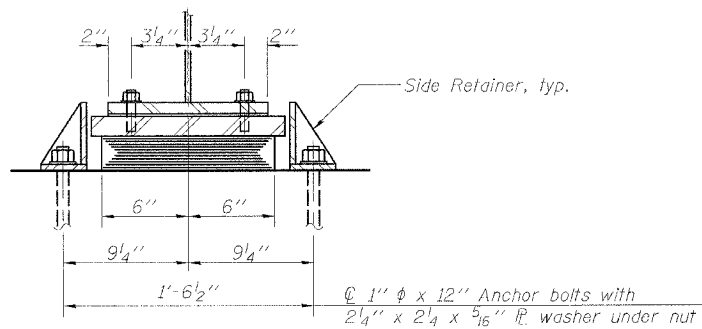


Contract #60A65



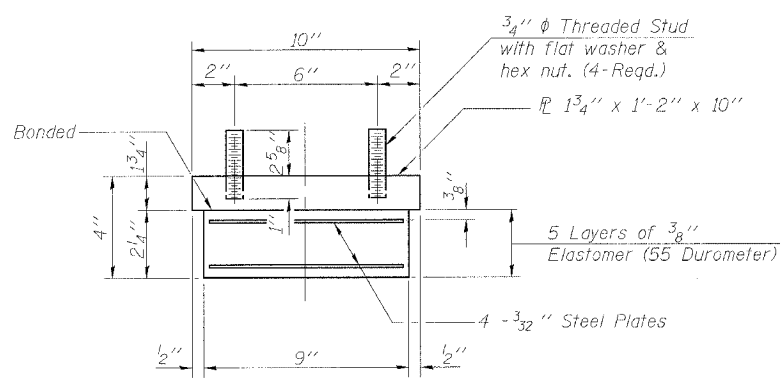
ELEVATION AT ABUT.



SECTION A-A

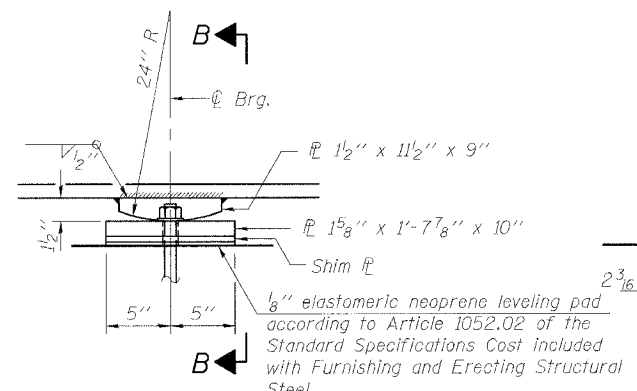
TYPE I ELASTOMERIC EXP. BRG.

Notes:
 Anchor bolts at fixed bearings may be built into the masonry.
 See sheet 14 of 26 for Anchor Bolt installation.
 All steel for fixed bearings shall be M 270 Grade 50 steel.



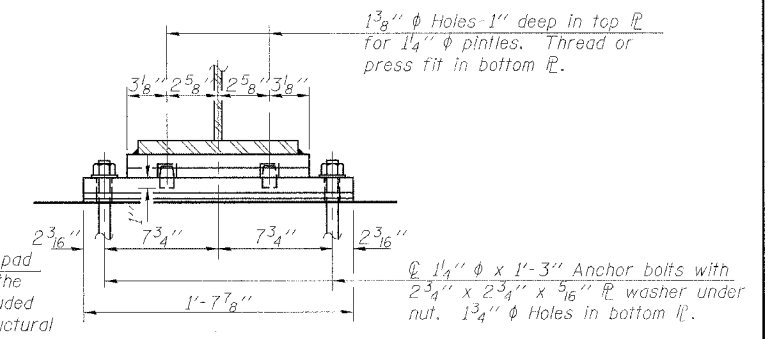
BEARING ASSEMBLY

Note:
 Shim plates shall not be placed under Bearing Assembly.

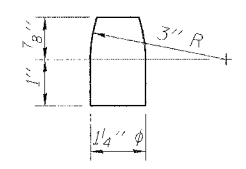


ELEVATION AT PIER

FIXED BEARING



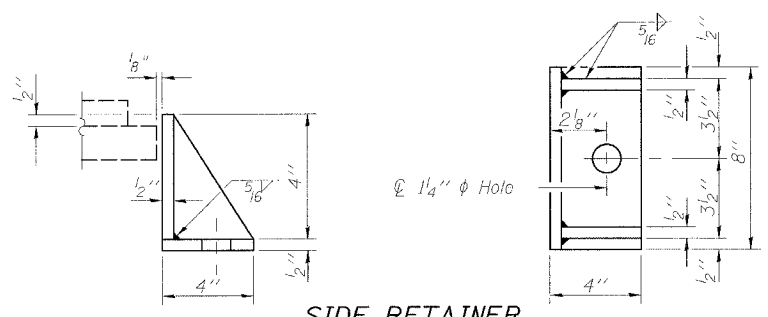
SECTION B-B



PINTLE

BILL OF MATERIAL

Item	Unit	Total
Elastomeric Bearing Assembly Type I	Each	20



SIDE RETAINER

Equivalent rolled angle with stiffeners will be allowed in lieu of welded plates. Weight included with Furnishing and Erecting Structural Steel.

<p>Excellence through Ownership</p> <p>200 West Front Street Wheaton, IL 60187</p>	<p>ILLINOIS DEPARTMENT OF TRANSPORTATION</p> <p>BEARING DETAILS</p> <p>FOSTER AVE. OVER I-94 (EDENS EXPRESSWAY)</p> <p>FAU RTE 1360 - SECTION 0101BR-2</p> <p>COOK COUNTY</p> <p>STATION 100+00</p> <p>STRUCTURE NO. 016-0246</p>
	<p>DATE: 4/30/2006</p> <p>DRAWN BY LCM CHECKED BY BLB</p>