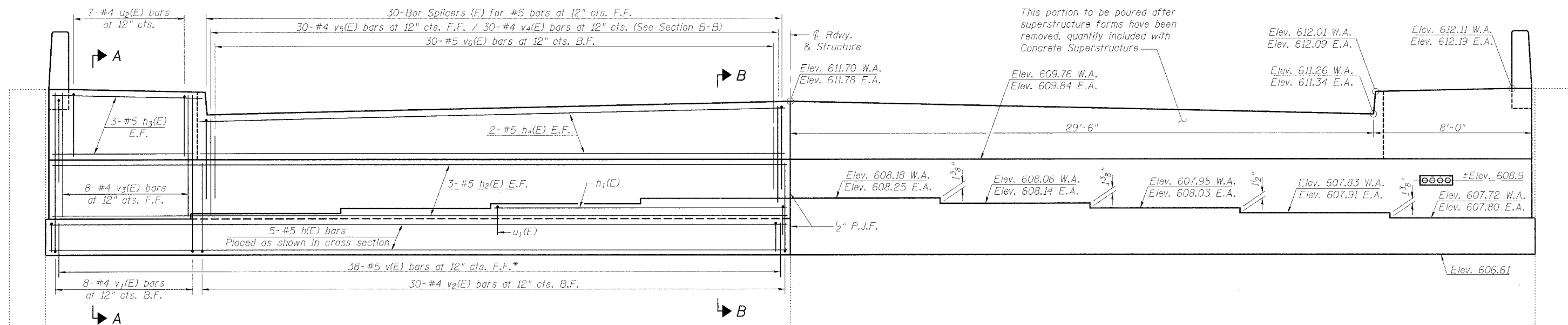


PLAN VIEW (PROPOSED)
(Existing reinforcement not shown)
West abutment shown -
East abutment similar but mirrored



ELEVATION VIEW (PROPOSED)
(Existing reinforcement not shown)
West abutment shown -
East abutment similar but mirrored

NOTES

Space reinforcement in cap to miss anchor bolts.
See Sheet 15 of 26 for Section A-A, Section B-B, removal details, and Bill of Material.
See Sheet 17 of 26 for side wall details.
See Sheet 14 of 26 for Anchor Bolt Details.
Lap v4(E) and v5(E) bars to existing vertical reinforcement.
Abutments are symmetric about ϕ Roadway unless noted otherwise.

*Field drill and epoxy grout in place according to Article 584 of the Standard Specifications.
Cost of drilling and grouting is included with Reinforcement Bars, Epoxy Coated.

LEGEND

E.A. - East Abutment
W.A. - West Abutment
F.F. - Front Face
B.F. - Back Face
E.F. - Each Face

rjngroup
Excellence through Ownership
200 West Front Street
Wheaton, IL 60187

ILLINOIS DEPARTMENT OF TRANSPORTATION
ABUTMENT DETAILS - II
FOSTER AVE. OVER I-94 (EDENS EXPRESSWAY)
FAU RTE 1360 - SECTION 0101BR-2
COOK COUNTY
STATION 100+00
STRUCTURE NO. 016-0246
DATE: 4/30/2006
DRAWN BY: BLB
CHECKED BY: WJV

5/29/2006 K:\11182519\Structure\Final_Plan\Final_Plan.dgn