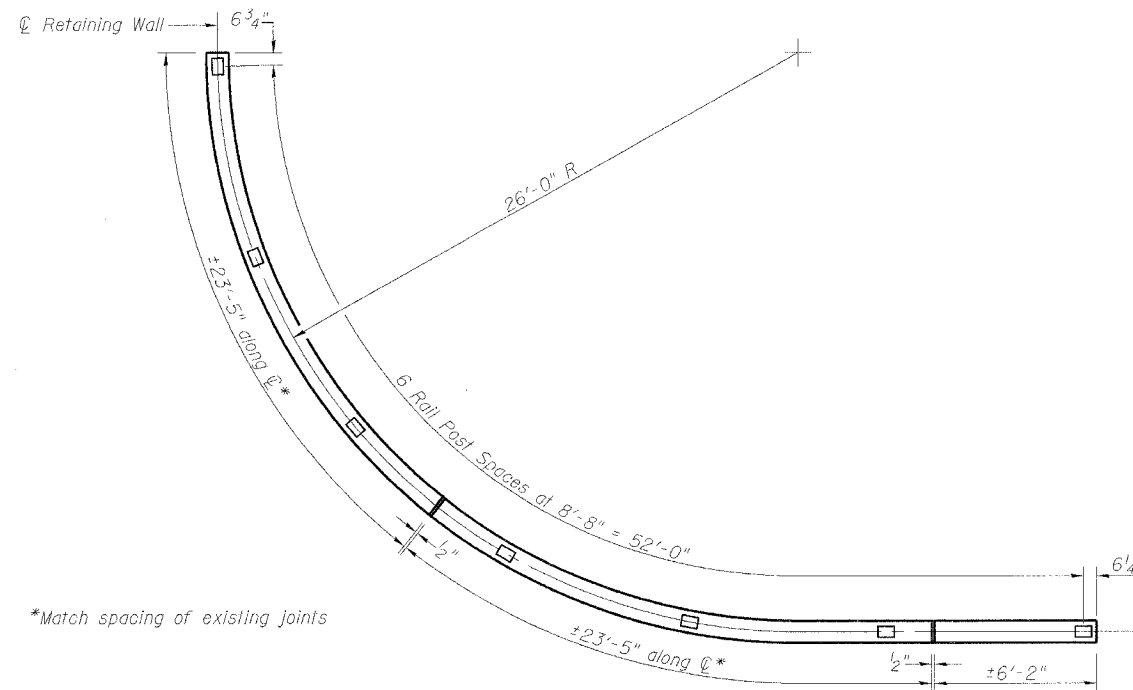
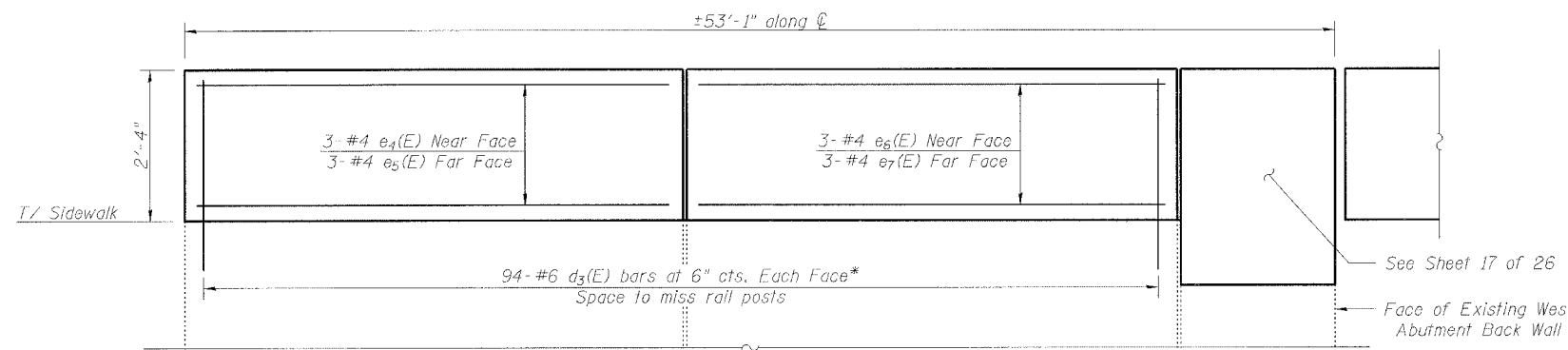


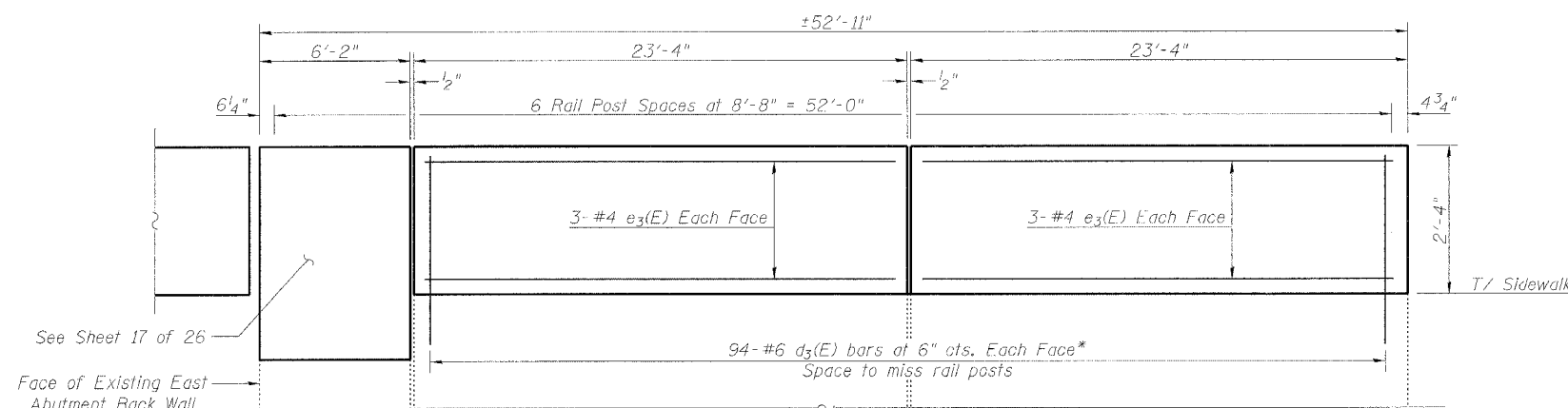
Contract #60A65



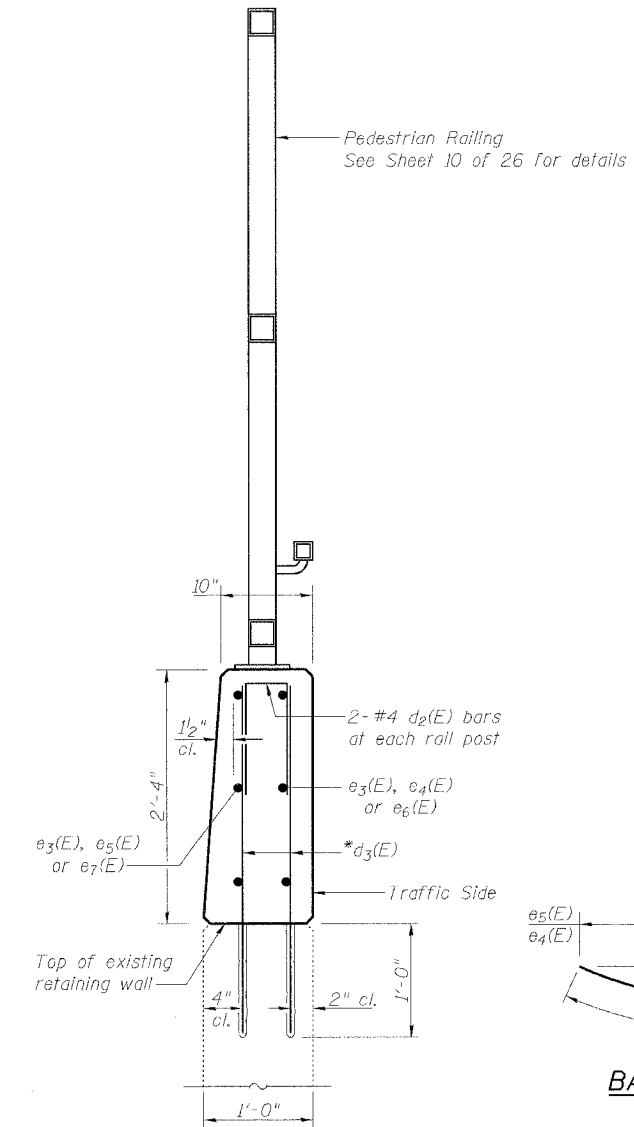
NORTHWEST WALL PLAN
Southwest wall similar but mirrored



NORTHWEST WALL ELEVATION (DEVELOPED)
Looking North - Southwest wall similar but opposite hand



NORTHEAST WALL ELEVATION
Looking North - Southeast wall similar but opposite hand



SECTION THRU TOP OF RETAINING WALL

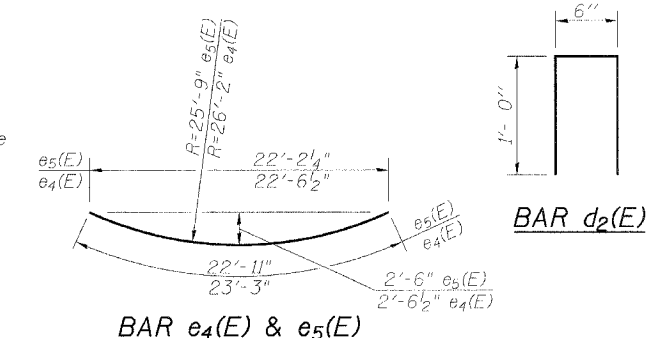
Note:
Remove existing fence and railing and cut existing anchors if necessary.

*Field drill and epoxy grout in place according to Article 584 of the Standard Specifications. Cost of drilling and grouting is included with Reinforcement Bars, Epoxy Coated.

**RETAINING WALLS
BILL OF MATERIAL**

Bar	No.	Size	Length	Shape
d ₂ (E)	48	#4	2'-6"	□
d ₃ (E)	752	#6	3'-2"	—
e ₃ (E)	24	#4	23'-1"	—
e ₄ (E)	6	#4	23'-3"	—
e ₅ (E)	6	#4	22'-11"	—
e ₆ (E)	6	#4	23'-3"	—
e ₇ (E)	6	#4	22'-11"	—
Reinforcement Bars, Epoxy Coated			Pound	4400
Concrete Structures			Cu. Yd.	14.8
Protective Coat			Sq. Yd.	66

Reinforcement bars designated (E) shall be epoxy coated.



<p>Excellence through Ownership</p> <p>200 West Front Street Wheaton, IL 60187</p>	ILLINOIS DEPARTMENT OF TRANSPORTATION	
	ABUTMENT DETAILS - IV	
	FOSTER AVE. OVER I-94 (EDENS EXPRESSWAY)	
	FAU RTE 1360 - SECTION 0101BR-2	
COOK COUNTY		STATION 100+00
STRUCTURE NO. 016-0246		DATE: 4/30/2006
DRAWN BY BLB		CHECKED BY WJV