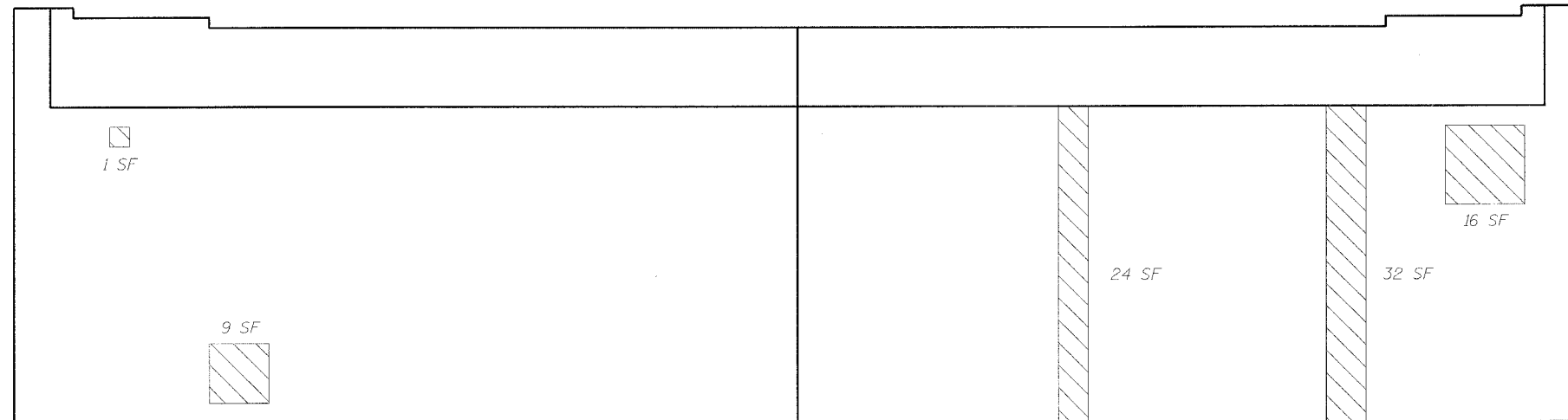
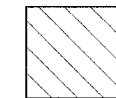


ROUTE NO.	SECTION	COUNTY	TOTAL SHEETS	SHEET NO.	SHEET NO. 20
FAU 1360	0101BR-2	COOK	90	68	26 SHEETS
FED. ROAD DIST. NO. 7	ILLINOIS	FED. AID PROJECT			

Contract #60A65

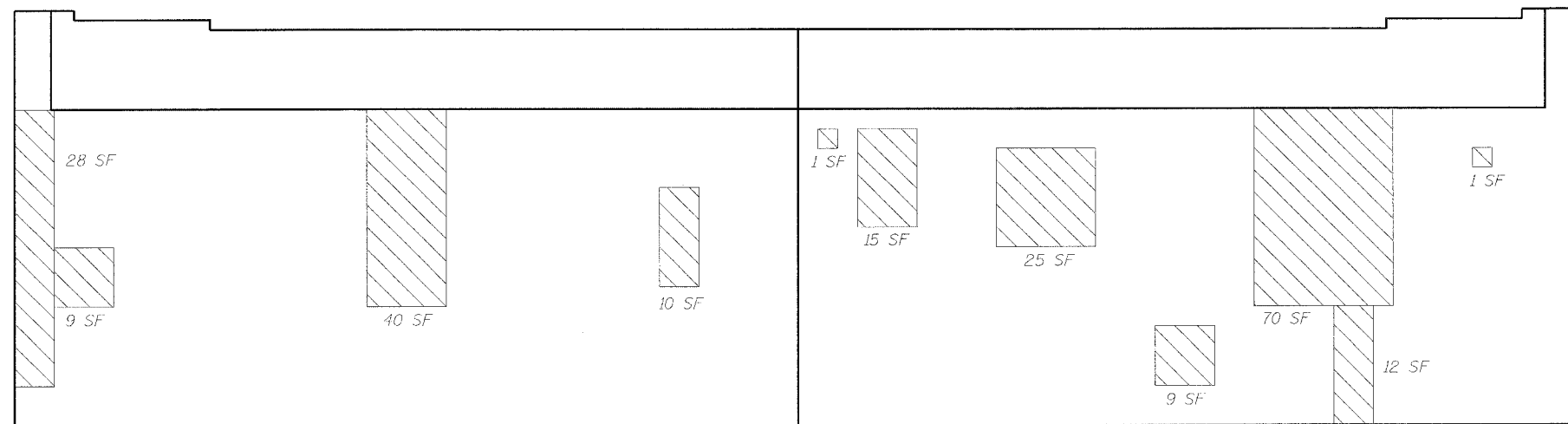


EAST ABUTMENT ELEVATION

 Structural Repair of Concrete
(Depth Equal to or Less Than 5")


BILL OF MATERIAL

Item	Unit	Total
Structural Repair of Concrete (Depth equal to or less than 5")	Sq. Ft.	302



WEST ABUTMENT ELEVATION

6/29/2006 K:\1102510\Structural\Final Plans\Final Plans.dgn

 Excellence through Ownership 200 West Front Street Wheaton, IL 60187	ILLINOIS DEPARTMENT OF TRANSPORTATION
	EAST AND WEST ABUTMENT REPAIRS FOSTER AVE. OVER I-94 (EDENS EXPRESSWAY) FAU RTE 1360 - SECTION 0101BR-2 COOK COUNTY STATION 100+00 STRUCTURE NO. 016-0246
	DATE: 4/30/2006
	DRAWN BY LCM CHECKED BY BLB