

F.A.P. RTE.	SECTION	COUNTY	TOTAL SHEETS	SHEET NO.
344	2006-003 TS	COOK	63	17
STA.		TO STA.		
FED. ROAD DIST. NO.		ILLINOIS FED. AID PROJECT		
CONTRACT NO. 60B13				

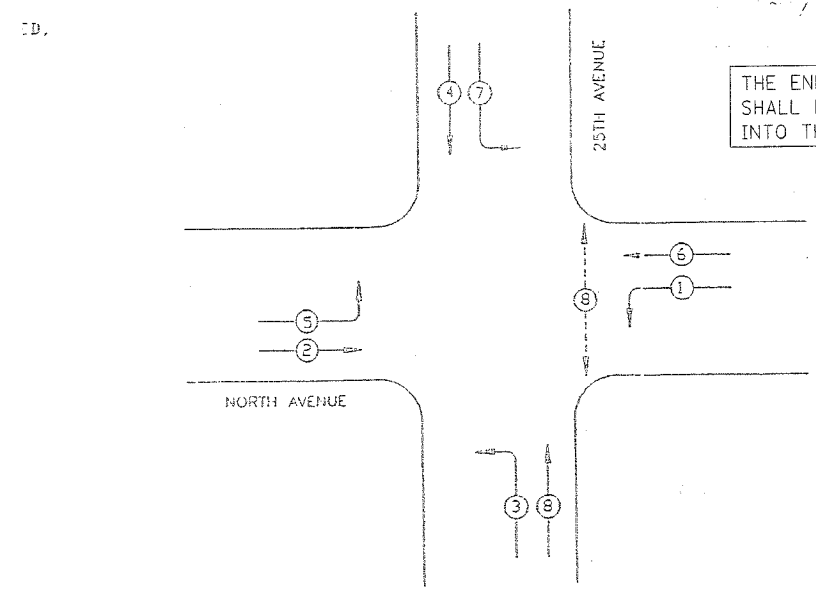
A THIS SHEET IS FOR PROPOSED FIBER OPTIC INTERCONNECT, NEW CONTROLLER ONLY.

PROPOSED SCHEDULE OF QUANTITIES

FULL-ACTUATED CONTROLLER
TRANSCEIVER - FIBER OPTIC

EACH 1
EACH 1

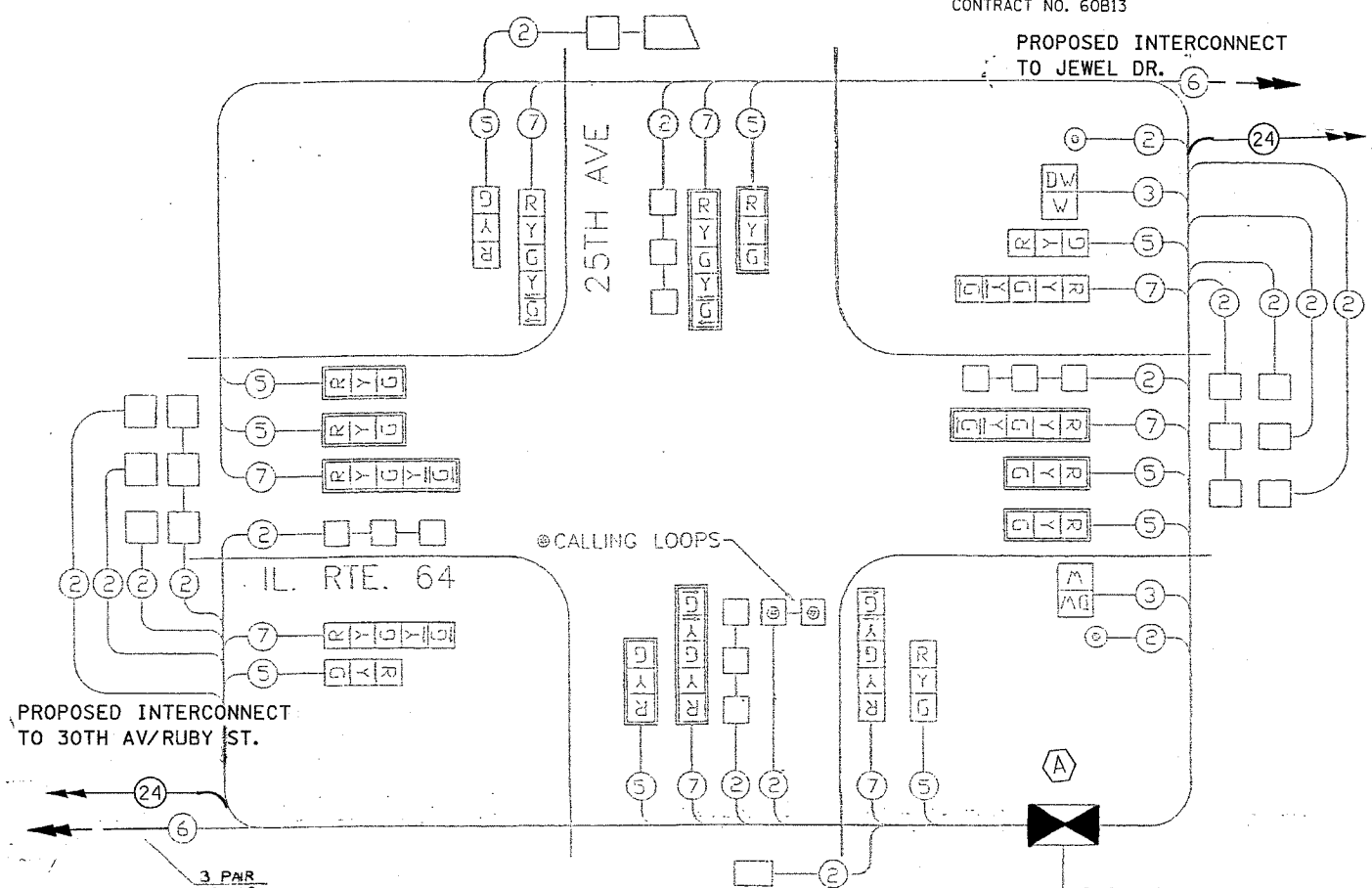
CONTROLLER SEQUENCE



PHASE DESIGNATION DIAGRAM

LEGEND

- VEHICULAR MOVEMENT
- PEDESTRIAN MOVEMENT
- NUMBER REFERS TO ASSOCIATED PHASE



CABLE PLAN

- CABLE PLAN LEGEND**
- 8" TRAFFIC SIGNAL SECTION
 - 12" TRAFFIC SIGNAL SECTION
 - 12" PEDESTRIAN SIGNAL SECTION
 - CONTROLLER CABINET
 - SERVICE INSTALLATION
 - VEHICLE DETECTOR, INDUCTION LOOP
 - PUSHBUTTON DETECTOR
 - DENOTES NUMBER OF CONDUCTORS (NEV), ALL LOOP DETECTOR CABLE TO BE SHIELDED, ALL CABLE NO. 14 EXCEPT AS INDICATED.
 - INDICATES EXISTING CABLE
 - SIGNAL FACE WITH BACKPLATE
 - *P* INDICATES PROGRAMMED
 - EXISTING SIGNAL SECTION
 - MAGNETIC DETECTOR
 - OPTICAL DETECTOR

THE END OF THE TRACER CABLE SHALL BE CONTINUOUS AND EXTEND INTO THE CONTROLLER CABINET.

REVISIONS	
NO.	DATE
1	6-8-06

ILLINOIS DEPARTMENT OF TRANSPORTATION
**CABLE PLAN, PHASE DESIGNATION DIAGRAM,
 SCHEDULE OF QUANTITIES**
 IL. RTE. 64 (NORTH AVENUE)
 AND
 25TH AVENUE

SCALE: VERT. NTS
 HORIZ. 1"=100'
 DATE 6/19/06

DRAWN BY GCK
 DESIGNED BY GCK
 CHECKED BY JJJ