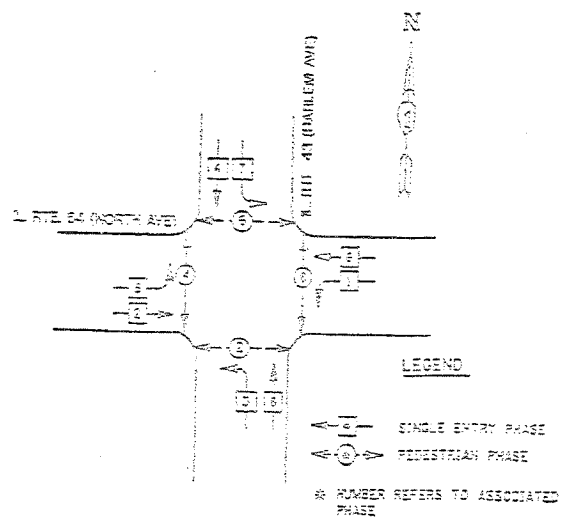


F.A.P. RTE.	SECTION	COUNTY	TOTAL SHEETS	SHEET NO.
344	2006-003 TS	COOK	63	43
STA.		TO STA.		
FED. ROAD DIST. NO.		ILLINOIS FED. AID PROJECT		
CONTRACT NO. 60B13				

CABLE PLAN LEGEND

- TRAFFIC SIGNAL SECTION
- TRAFFIC SIGNAL SECTION
- PEDESTRIAN SIGNAL SECTION
- CONTROLLER CABINET
- SERVICE DETAIL SECTION
- VEHICLE DETECTOR, INDUCTION LOOP
- MAGNETIC DETECTOR
- TRAFFIC LIGHT DETECTOR
- LIGHT DETECTOR
- NUMBER OF COPIES OF ALL SHEETS TO BE ORDERED AS SHOWN
- ALL DETECTOR SIGNALS TO BE ORDERED
- SIGNAL HEAD WITH BACKLIT
- DETECTOR PROGRAMMED HEAD
- CONFIRMATION SIGNAL

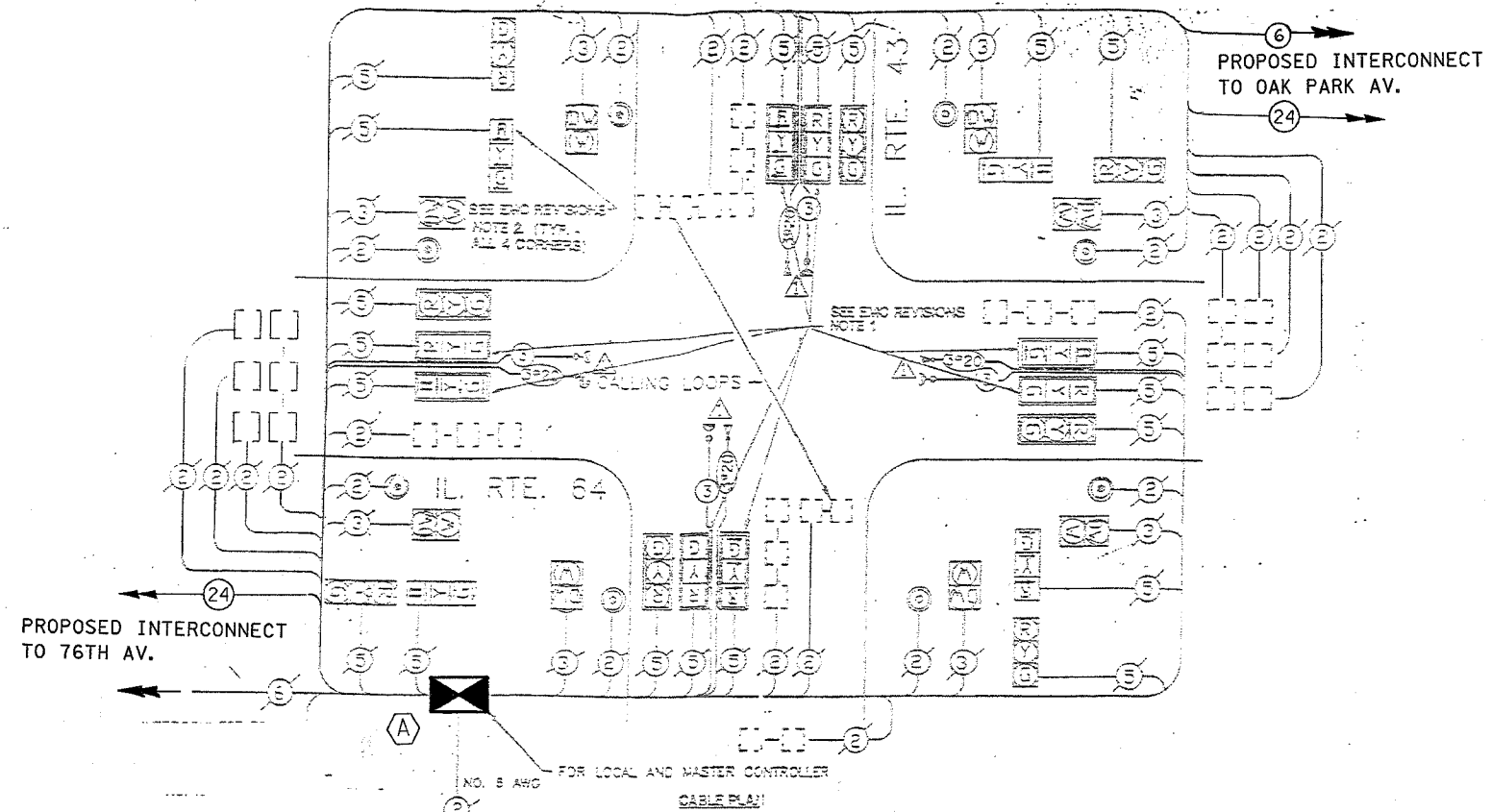
EXISTING AND PROPOSED CONTROLLER SEQUENCE
VEHICULAR AND PEDESTRIAN PHASES USED ARE DESIGNATED BELOW.



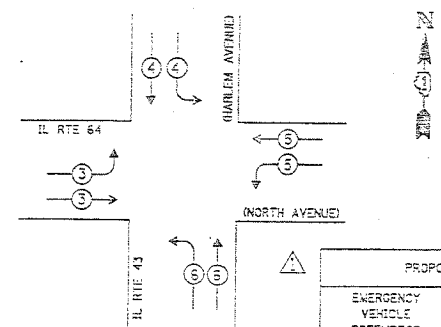
PHASE DESIGNATION DIAGRAM
SINGLE ENTRY - ALL LEGS
PROTECTED ONLY LEFT TURN PHASES - ALL LEGS

THE END OF THE TRACER CABLE SHALL BE CONTINUOUS AND EXTEND INTO THE CONTROLLER CABINET.

THE END OF THE TRACER CABLE SHALL BE CONTINUOUS AND EXTEND INTO THE CONTROLLER CABINET.



PROPOSED EMERGENCY VEHICLE PREEMPTION SEQUENCE



PROPOSED EMERGENCY VEHICLE PREEMPTOR				
EMERGENCY VEHICLE PREEMPTOR	3	4	5	5
MOVEMENT	→	↓	←	↑

PROPOSED SCHEDULE OF QUANTITIES

FULL-ACTUATED CONTROLLER AND TYPE IV CABINET	EACH	1
TRANSCIVER - FIBER OPTIC	EACH	1
INDUCTIVE LOOP DETECTOR	EACH	16

END REVISIONS

- NOTE 1**
REPLACE ALL 8 OPTICALLY PROGRAMMED 3 SECTION SIGNAL HEADS WITH ALLUMINUM 3 SECTION SIGNAL HEADS. THE 4 NEW END-MOUNT SIGNAL HEADS SHALL DISPLAY RED, YELLOW, AND GREEN LEFT TURN ARROWS. THE OTHER 4 NEW SIGNAL HEADS SHALL DISPLAY RED, YELLOW, AND GREEN BALLS. INSTALL 8 NEW ASTRO BRACKETS AND 8 NEW BACKPLATES.
- NOTE 2**
REMOVE ALL LOUVERS. REPLACE 4 RED BALL LENSES WITH 4 RED LEFT ARROW LENSES.

INSTALLATION OF EMERGENCY VEHICLE PREEMPTION 6-03-02
ELMWOOD PARK-SHEET 67 OF 865
CHRISTOPHER B. BURKE ENGINEERING LTD.
2575 West Higgins Road, Suite 500
Rosemont, Illinois 60018
(847) 823-0620

A THIS SHEET IS FOR PROPOSED FIBER OPTIC INTERCONNECT, NEW CONTROLLER AND CABINET ONLY.

REVISIONS	
NAME	DATE
CSBEL	6-03-02

ILLINOIS DEPARTMENT OF TRANSPORTATION
CABLE PLAN, PHASE DESIGNATION DIAGRAM,
SCHEDULE OF QUANTITIES
IL. RTE. 64 (NORTH AVENUE)
AND
IL. RTE. 43 (HARLEM AVENUE)
SCALE: VERT. NTS
HORIZ. 8x
DATE 6/19/06
DRAWN BY GCK
DESIGNED BY GCK
CHECKED BY GCK