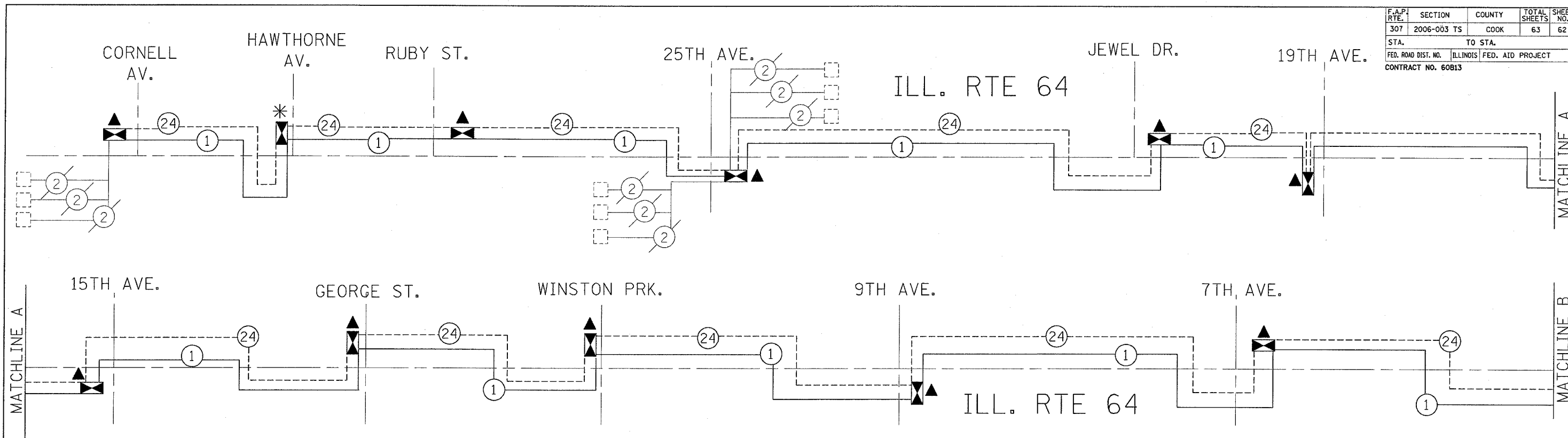


F.A.P. RTE.	SECTION	COUNTY	TOTAL SHEETS	SHEET NO.
307	2006-003 TS	COOK	63	62
STA.		TO STA.		
FED. ROAD DIST. NO.		ILLINOIS	FED. AID PROJECT	
CONTRACT NO. 60813				



INTERCONNECT SCHEMATIC LEGEND

	PROPOSED	EXISTING
INTERSECTION CONTROLLER		
MASTER CONTROLLER		
MASTER MASTER CONTROLLER		
TELEPHONE CONNECTION		
INTERSECTION & SAMPLING (SYSTEM) DETECTORS		
PREFORMED INTERSECTION & SAMPLING (SYSTEM) DETECTORS		
EXISTING INTERSECTION LOOP DETECTORS, PROPOSED SAMPLING (SYSTEM) DETECTORS		
SAMPLING (SYSTEM) DETECTORS		
SAMPLING (SYSTEM) PREFORMED DETECTORS		
EXISTING SAMPLING (SYSTEM) DETECTORS, PROPOSED INTERSECTION AND SAMPLING (SYSTEM) DETECTORS.		
EXISTING SAMPLING (SYSTEM) DETECTORS, PROPOSED SAMPLING (SYSTEM) DETECTORS		
FIBER OPTIC CABLE IN CONDUIT, NUMBER OF FIBERS AS NOTED		
INTERCONNECT CABLE - NO. 18 3 PAIR TWISTED, SHIELDED		
ELECTRIC CABLE IN CONDUIT, LEAD-IN, NO. 14, 1 PAIR		
ELECTRIC CABLE IN CONDUIT, TRACER, NO. 14 1/C, UNLESS NOTED OTHERWISE		

CONSTRUCTION NOTE:

- ▲ NEW CONTROLLER ONLY. RE-USE EXISTING CABINET
- * NEW CONTROLLER AND CABINET.

SCHEDULE OF QUANTITIES

QUANTITY	UNIT	ITEM
.045	L SUM	TRAFFIC CONTROL AND PROTECTION, STANDARD 701501
.045	L SUM	TRAFFIC CONTROL AND PROTECTION, STANDARD 701701
.045	L SUM	TRAFFIC CONTROL AND PROTECTION, STANDARD 701801
1770	FOOT	CONDUIT PUSH, 2" DIA., GALVANIZED STEEL
2	EACH	HANDHOLE
2150	FOOT	ELECTRIC CABLE IN CONDUIT, TRACER NO. 14 1C
33,415	FOOT	FIBER OPTIC CABLE IN CONDUIT, NO. 62.5/125 MM12F & SM12F
80	SQ.FT.	SIDEWALK REMOVAL
4	EACH	DRILL EXISTING HANDHOLE
2	EACH	RE-OPTIMIZE TRAFFIC SYSTEM

REVISIONS	
NAME	DATE

ILLINOIS DEPARTMENT OF TRANSPORTATION
INTERCONNECT SCHEMATIC PLAN
 ILL. RTE. 64 (NORTH AVE.) FROM
 CORNELL AV. TO 77TH AVE.

SCALE: NONE
 DATE 6/23/2006

DRAWN BY BCK
 DESIGNED BY BCK
 CHECKED BY DAD