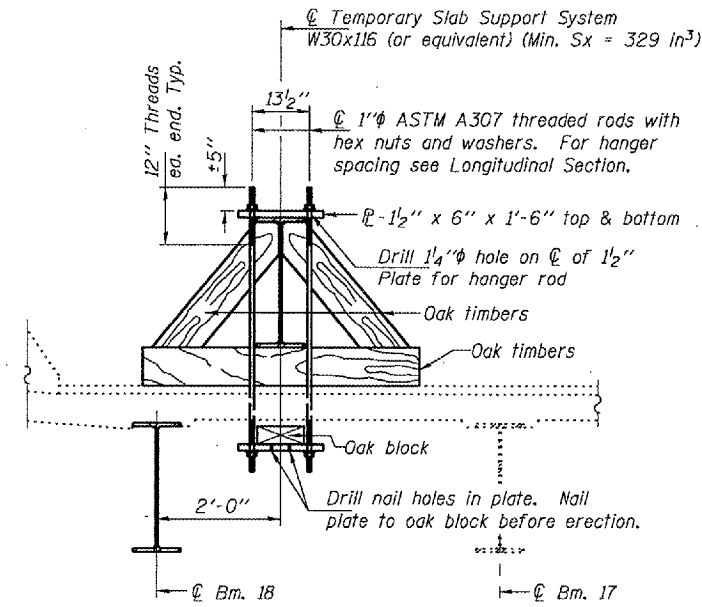


STATE OF ILLINOIS
DEPARTMENT OF TRANSPORTATION

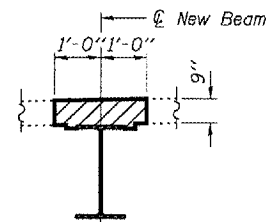
ROUTE NO.	SECTION	COUNTY	TOTAL SHEETS	SHEET NO.
		COOK	9	7
FED. ROAD DIST. NO. 7	ILLINOIS	FED. AID PROJECT		

SHEET NO. 2
3 SHEETS

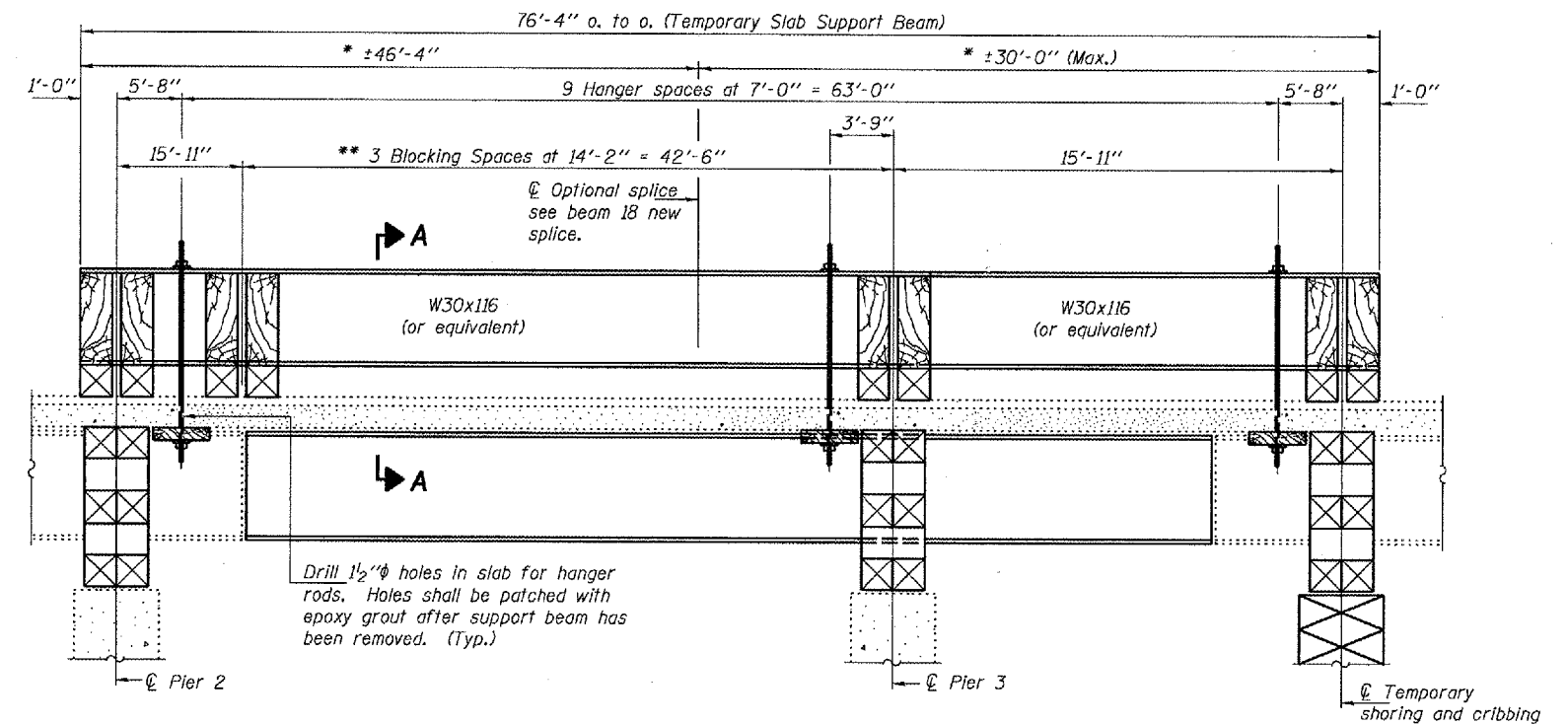
Contract No. 60B21



SECTION A-A



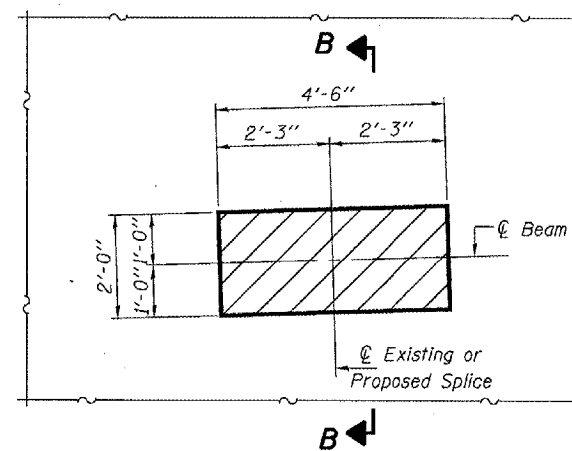
SECTION B-B



LONGITUDINAL SECTION BEAM 18
SUGGESTED TEMPORARY SLAB SUPPORT SYSTEM
(Dimensions are along \varnothing beam 18)

* These dimensions may vary for available beams in stock.

** Wood blocking between supports to be placed after support beam deflects under its own weight.



TYPICAL CONCRETE REMOVAL AND REPLACEMENT

Hatched areas indicate concrete sections to be removed and replaced. Perimeters of concrete removal areas shall be saw cut $\frac{3}{4}$ " prior to the removal of concrete. Reinforcement shall be cut only if required for fitting bolts. Cut reinforcement shall be spliced as directed by the Engineer. Cost shall be included with Concrete Removal.

SLAB SUPPORT DETAILS
IL 43 OVER US12/20
COOK COUNTY
SN 016-0320

DESIGNED	PSJ
CHECKED	SJB
DRAWN	baliva
CHECKED	PSJ SJB

JULY 17, 2006

EXAMINED *John A. Morris*
ENGINEER OF STRUCTURAL SERVICES
PASSED *Ralph E. Anderson*
ENGINEER OF BRIDGES AND STRUCTURES

REP-2 1-27-2000