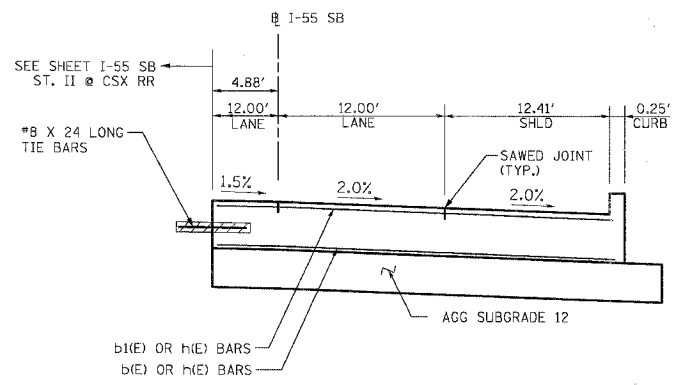
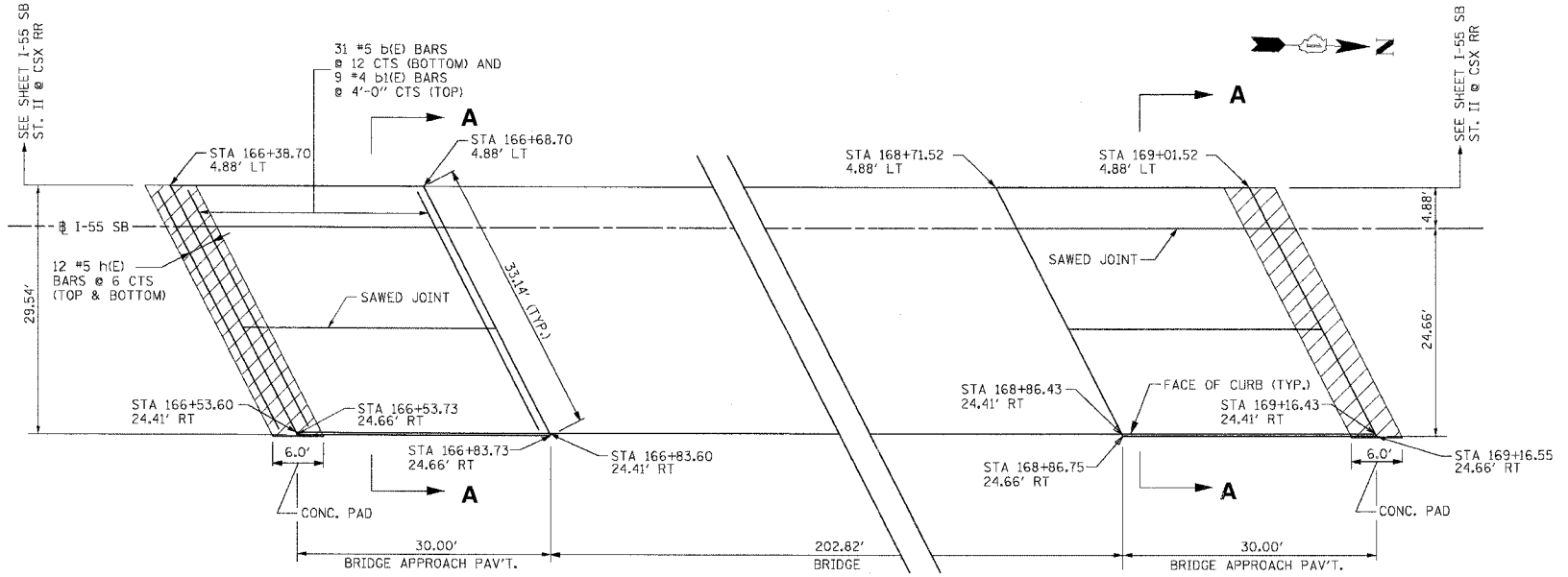


F.A.I. RTE.	SECTION	COUNTY	TOTAL SHEETS	SHEET NO.
55	2006-031 BY	WILL	137	24
STA.		TO STA.		
FED. ROAD DIST. NO.		ILLINOIS	FED. AID PROJECT	



SECTION A-A: I-55 SB ST. I @ CSX RR



PLAN: I-55 SB ST. I @ CSX RR

BILL OF MATERIALS
I-55 SB SOUTH AT CSX RR

Bar	No.	Size #	Length (feet)	Shape
a (E)	62	9	29.75	()
a ₁ (E)	30	5	29.50	—
a ₂ (E)	30	4	6.76	—
a ₃ (E)	30	4	5.58	—
b (E)	31	5	33.00	—
b ₁ (E)	9	4	33.00	—
h (E)	24	5	33.00	—
d (E)	-	-	-	—
t (E)	-	-	-	—

Item	Unit	Total
* Concrete Structures	Cu Yd	41.4
* Reinforcement Bars, Epoxy Coated	Pound	9,535
* Preformed Joint Seal	Foot	33.2
* Polyethylene Bond Breaker	Sq Yd	22.1
* Concrete Pad	Sq Yd	22.1
* Bridge Approach Pavement	Sq Yd	98.5
* Tie Bars	Each	16
* Aggregate Subgrade 12"	Sq Yd	103.5

BILL OF MATERIALS
I-55 SB NORTH AT CSX RR

Bar	No.	Size #	Length (feet)	Shape
a (E)	62	9	29.75	()
a ₁ (E)	30	5	29.50	—
a ₂ (E)	30	4	6.76	—
a ₃ (E)	30	4	5.58	—
b (E)	31	5	33.00	—
b ₁ (E)	9	4	33.00	—
h (E)	24	5	33.00	—
d (E)	-	-	-	—
t (E)	-	-	-	—

Item	Unit	Total
* Concrete Structures	Cu Yd	41.4
* Reinforcement Bars, Epoxy Coated	Pound	9,535
* Preformed Joint Seal	Foot	33.2
* Polyethylene Bond Breaker	Sq Yd	22.1
* Concrete Pad	Sq Yd	22.1
* Bridge Approach Pavement	Sq Yd	98.5
* Tie Bars	Each	16
* Aggregate subgrade 12"	Sq Yd	103.5

* ITEM INCLUDED IN THE COST OF BRIDGE APPROACH PAVEMENT.

NOTES:

- ALL DIMENSIONS ARE IN FEET (') UNLESS OTHERWISE NOTED.
- ALL REINFORCING BARS SHALL BE EPOXY COATED.
- DETAILING NOT SHOWN ON THIS SHEET SHALL CONFORM TO STATE STANDARD 420401 (BRIDGE APPROACH PAVEMENT).
- THE UNIT PRICE BID FOR BRIDGE APPROACH PAVEMENT SHALL INCLUDE TIE BARS, PREFORMED JOINT SEAL, POLYETHYLENE BOND BREAKER, AGGREGATE SUBGRADE, REINFORCEMENT BARS, THE CONCRETE PAD (INCLUDING REINFORCEMENT AND EXCAVATION), CONCRETE BARRIERS (INCLUDING ALL CONCRETE AND REINFORCEMENT), AND ALL OTHER ITEMS NECESSARY TO COMPLETE THIS ITEM OF WORK.

REVISIONS	
NAME	DATE

ILLINOIS DEPARTMENT OF TRANSPORTATION
FAI ROUTE 55 (OVER CSX RR AND SUNNYLAND DRAIN)
BRIDGE WIDENING

**ROADWAY DETAILS
BRIDGE APPROACH PAVEMENT
SB I-55 OVER CSX RR (STAGE I)**

SCALE: N.T.S. DRAWN BY: CJF
DATE: 07/07/06 CHECKED BY: DDH

TENG TENG & ASSOCIATES, INC.
ENGINEERS/ARCHITECTS/PLANNERS
CHICAGO, ILLINOIS

PLOT DATE = 07/07/06
 PLOT SCALE = 1/8"=1'-0"
 USER NAME = USER#
 S:\DOCUMENT\02236\BR\ACT\1\DOWN\02236\02236.DWG
 7-26-2006 11:28:14
 CARCIANZ