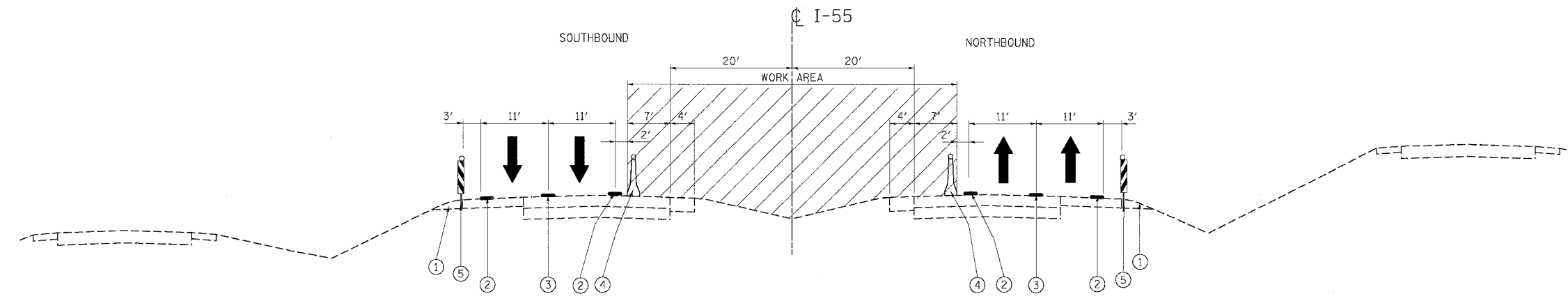
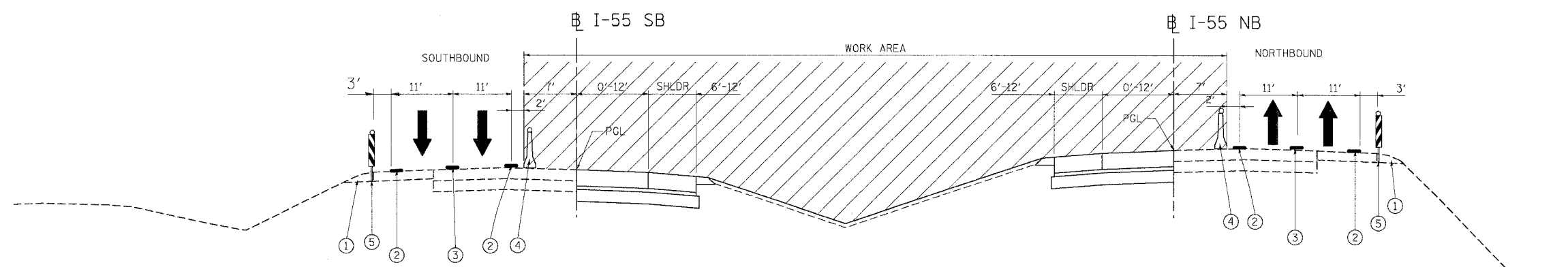


F.A.I. RTE.	SECTION	COUNTY	TOTAL SHEETS	SHEET NO.
55	2006-031	WILL	137	35
STA.		TO STA.		
FED. ROAD DIST. NO.		ILLINOIS FED. AID PROJECT		



**STAGE I
PROP. BIT. WIDENING**

• SEE STRUCTURAL PLANS FOR STAGING TYPICAL SECTION AT SUNNYLAND DRAIN.



**STAGE I
PROP. CRCP WIDENING & CONC. SHOULDER**

LEGEND:

- ① EXIST. AGGREGATE SHOULDER
- ② PROP. PAVT. MARKING TAPE, TYP III 4"
- ③ PROP. PAVT. MARKING TAPE, TYP III 5"
- ④ TEMPORARY CONC. BARRIER
- ⑤ VERTICAL PANEL OR VERTICAL BARRICADE

- PAVEMENT PATCHING (AS DIRECTED BY THE ENGINEER)
- BITUMINOUS SURFACE REMOVAL AND RESURFACING
- TRAFFIC CONTROL ARROW
- WORK AREA

PLOT DATE = 07/21/06
 FILE NAME = 072106_134735
 USER NAME = JUBER9
 \NBP91400\LDON
 7-15-2006, 134735
 G:\PROJECTS\60B85\01\CIVIL\WIDENING\072106_134735.SHT

REVISIONS	
NAME	DATE

ILLINOIS DEPARTMENT OF TRANSPORTATION
 FAI ROUTE 55 (OVER CSX RR AND SUNNYLAND DRAIN)
 BRIDGE WIDENING

**STAGING AND TRAFFIC CONTROL
 FAI 55 - TYPICAL SECTIONS
 STAGE I**

SCALE: DATE 07/21/06 DRAWN BY: JP
 CHECKED BY: DDH

TENG
 TENG & ASSOCIATES, INC.
 ENGINEERS/ARCHITECTS/PLANNERS
 CHICAGO, ILLINOIS