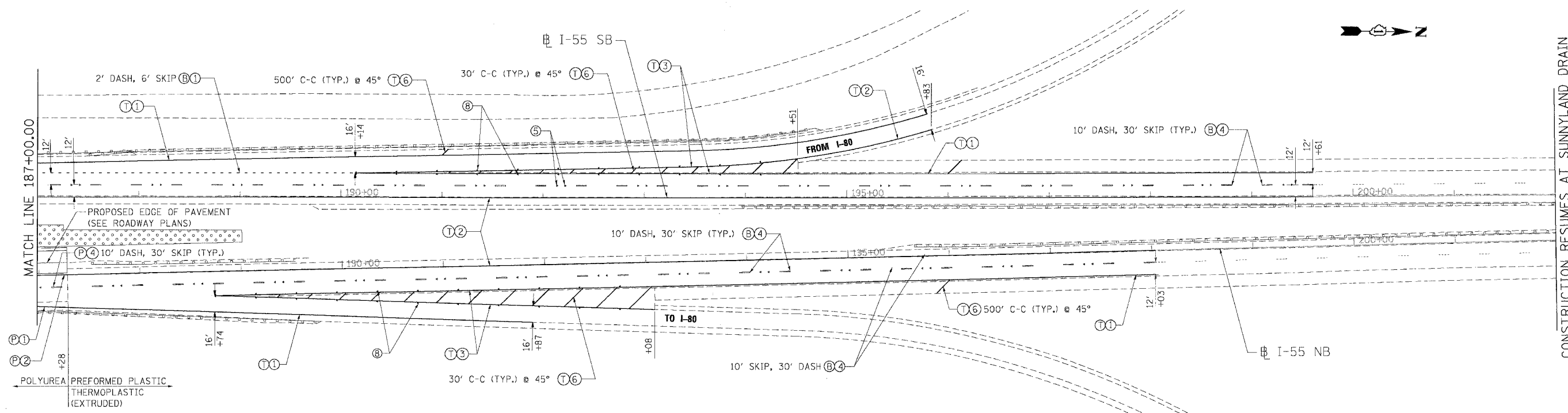
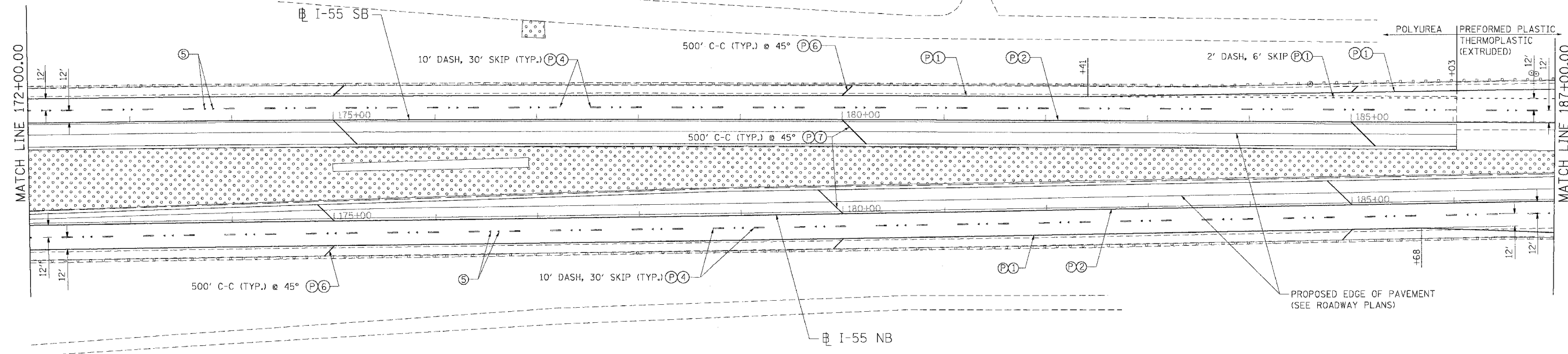


F.A.I. RTE.	SECTION	COUNTY	TOTAL SHEETS	SHEET NO.
55	2006-031 BY	WILL	137	62
STA.		TO STA.		
FED. ROAD DIST. NO.	ILLINOIS	FED. AID PROJECT		



PAVEMENT MARKING LEGEND

- ① PAVEMENT MARKING LINE 4" (WHITE)
- ② PAVEMENT MARKING LINE 4" (YELLOW)
- ③ PAVEMENT MARKING LINE 8" (WHITE)
- ④ PAVEMENT MARKING LINE 5" (WHITE)
- ⑤ REPLACEMENT REFLECTOR (DOUBLE, ONE-WAY, CRYSTAL MARKERS @ 80' C-C) SEE GENERAL NOTES, SHEET 2
- ⑥ PAVEMENT MARKING LINE 12" (WHITE)
- ⑦ PAVEMENT MARKING LINE 12" (YELLOW)
- ⑧ REPLACEMENT REFLECTOR (SINGLE, ONE-WAY, CRYSTAL MARKERS @ 40' C-C) SEE GENERAL NOTES, SHEET 2
- ⑨ THERMOPLASTIC (EXTRUDED)
- Ⓟ POLYUREA
- Ⓠ PREFORMED PLASTIC, TYPE B

LANDSCAPING LEGEND

- SEEDING CLASS 2A WITH TOPSOIL FURNISH AND PLACE, 6" AND EROSION CONTROL BLANKET
- SEEDING CLASS 4 WITH COMPOST FURNISH AND PLACE, 4" AND EROSION CONTROL BLANKET
- SEEDING, CLASS 4B (MODIFIED) WITH COMPOST FURNISH AND PLACE, 4" AND MULCH METHOD 2

REVISIONS	
NAME	DATE

ILLINOIS DEPARTMENT OF TRANSPORTATION
 FAI ROUTE 55 (OVER CSX RR AND SUNNYLAND DRAIN)
 BRIDGE WIDENING

**PAVEMENT MARKING, GRADING
 AND LANDSCAPING**
 STA. 172+00.00 TO STA. 202+00.00

SCALE: 1"=50'
 DATE 07/07/06
 DRAWN BY MW
 CHECKED BY DDH

TENG
 TENG & ASSOCIATES, INC.
 ENGINEERS/ARCHITECTS/PLANNERS
 CHICAGO, ILLINOIS

MORCOM, N.V., INC.
 CONSULTING ENGINEERS
 CHICAGO, ILLINOIS

CONSTRUCTION RESUMES AT SUNNYLAND DRAIN
 SEE SHEET 63

PLOT DATE = 08/07/06
 PLOT SCALE = AS SHOWN
 USER NAME = JLS/RSR