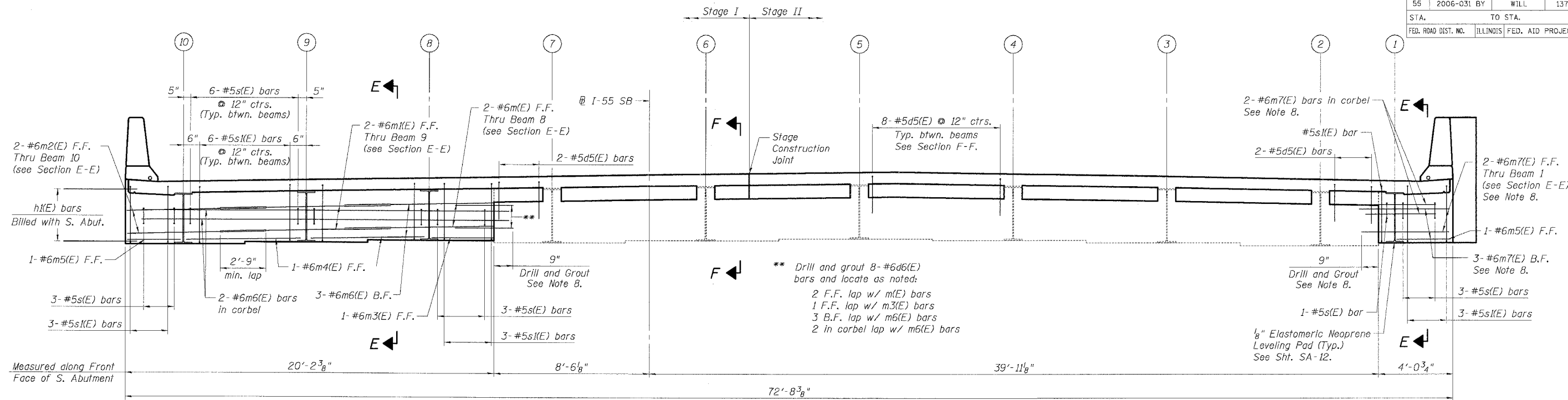
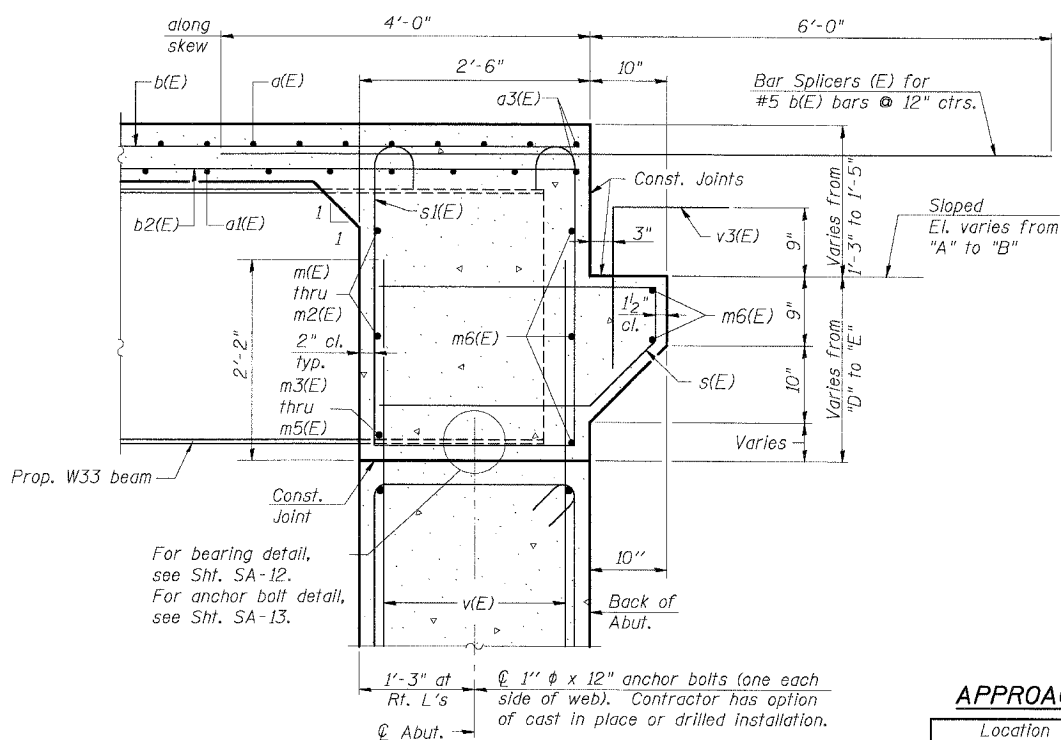


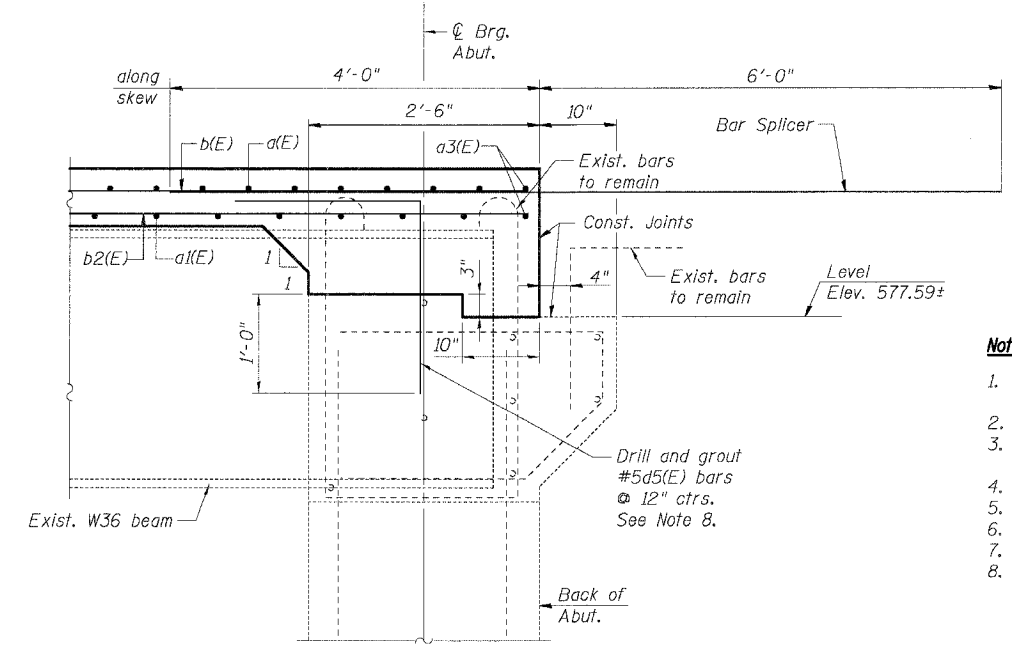
F.A.I. RTE.	SECTION	COUNTY	TOTAL SHEETS	SHEET NO.
55	2006-031 BY	WILL	137	73
STA.		TO STA.		
FED. ROAD DIST. NO.		ILLINOIS FED. AID PROJECT		



INTEGRAL BACKWALL ELEVATION AT S. ABUTMENT



SECTION E-E
(section thru proposed abutment widening)
Stage I shown, Stage II similar.
Dimensions at right angles to abutment, except as noted.



SECTION F-F
(section thru exist. abutment)

APPROACH PAVEMENT SUPPORT ELEVATION

Location	Stage	El. "A"	El. "B"*	Dim. "D"	Dim. "E"
North Abutment	I	577.11	577.59	1'-9 3/8"	2'-3 1/8"
	II	577.45	577.59	2'-0 3/4"	2'-2 3/8"
South Abutment	I	577.31	577.59	1'-11 3/8"	2'-1 5/8"
	II	577.43	577.59	1'-11 3/8"	2'-2 3/8"

* Approach pavement support is to be sloped from Elevation "A" at the ends of the proposed widenings to match the elevation of the existing approach pavement supports at the ends of the existing integral backwall (Elevation "B").

- Notes:**
1. Reinforcement bars in diaphragm are billed with superstructure on Sht. SA-8.
 2. For details of bars s(E) & sl(E) see Sht. SA-8.
 3. The s(E) and sl(E) bars shall be placed parallel to the beams. Spacing for these bars shall be at right angles to the beams.
 4. For anchor bolt details see Sht. SA-13.
 5. Reinforcement bars designated (E) shall be epoxy coated.
 6. E.F. = Each Face, B.F. = Back Face, F.F. = Front Face
 7. Minimum lap for #6 bar = 2'-9"
 8. Drill and epoxy grout bars in 9" min. (U.N.O.) drilled holes according to Section 584 of the Standard Specifications. Method and grout are subject to the approval of the Engineer. The cost of drilling and grouting shall be included with Reinforcement Bars, Epoxy Coated.

SHT. SA-10 OF 21

REVISIONS	
NAME	DATE

ILLINOIS DEPARTMENT OF TRANSPORTATION
FAT ROUTE 55 (OVER CSX RR AND SUNNYLAND DRAIN)
BRIDGE WIDENING
SB I-55 OVER CSX RAILROAD, S.N. 099-0312
STA. 167+72.58, SECTION 2006-031 BY
WILL COUNTY

SOUTH INTEGRAL BACKWALL

SCALE: _____ DRAWN BY: MDB
DATE: 07/07/06 CHECKED BY: MJK

TENG TENG & ASSOCIATES, INC.
ENGINEERS/ARCHITECTS/PLANNERS
CHICAGO, ILLINOIS

DATE = 07/07/06
 PLOT DATE = 07/07/06
 PLOT SCALE = AS SHOWN
 USER NAME = MJB
 7-05-2006 8:12:12
 S:\DOCUMENT\223619\STRUCT\JUN15\091\ABW5.SHT
 GARCIAZ