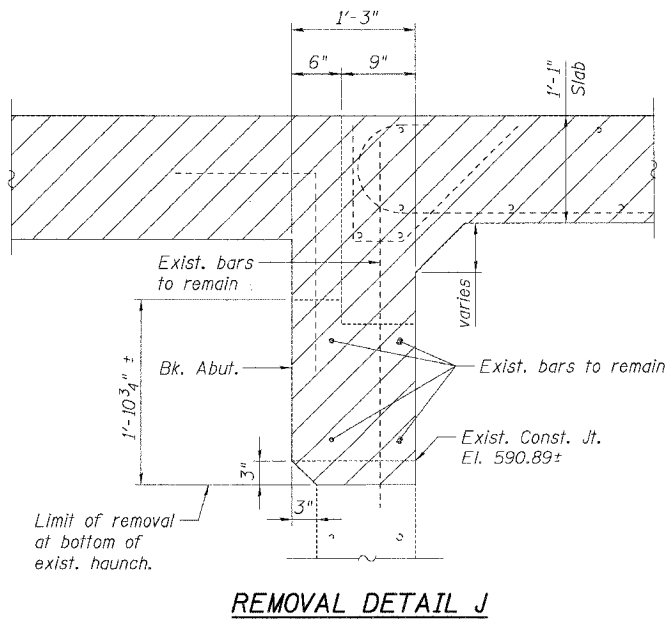
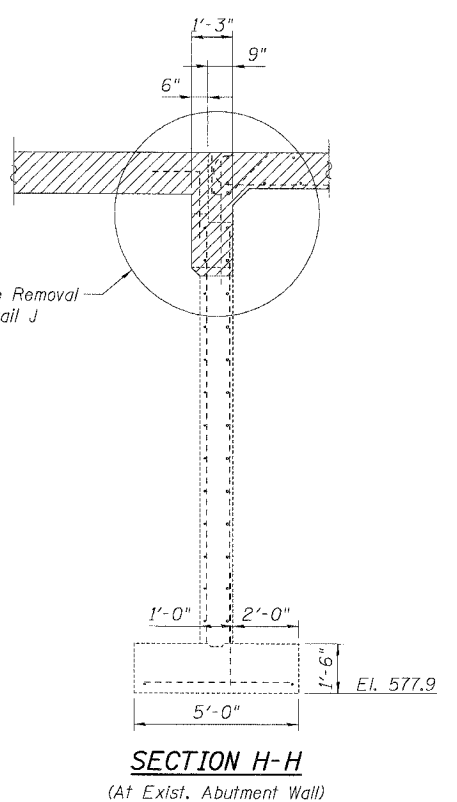
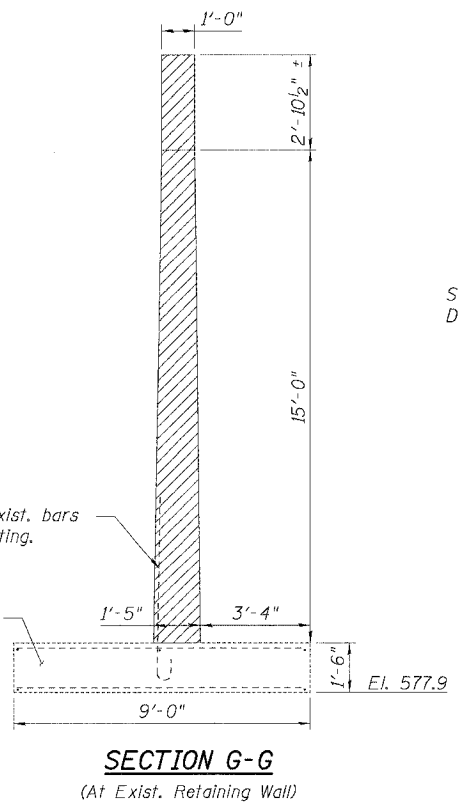
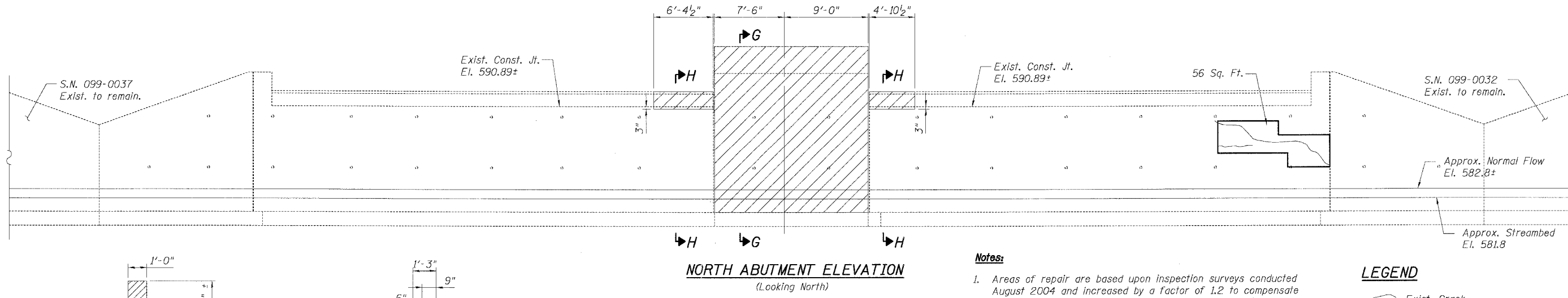
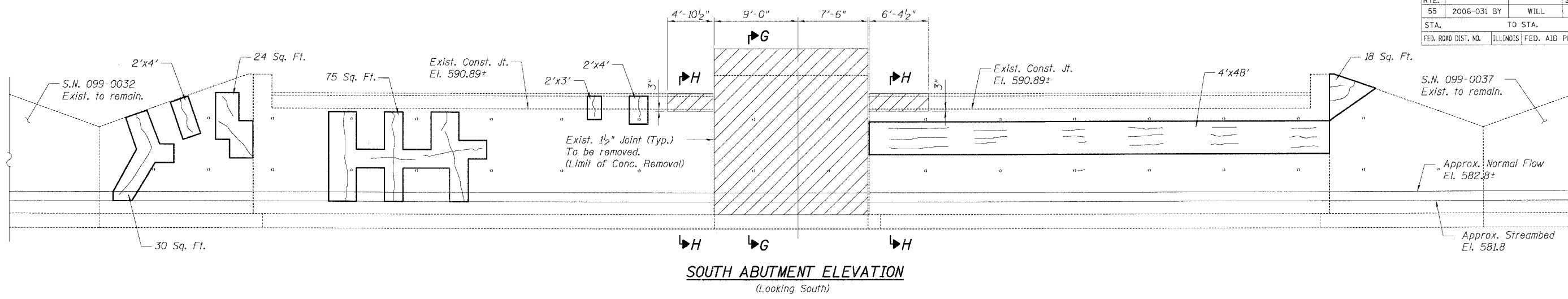


F.A.I. RTE.	SECTION	COUNTY	TOTAL SHEETS	SHEET NO.
55	2006-031 BY	WILL	137	94
STA.		TO STA.		
FED. ROAD DIST. NO.		ILLINOIS FED. AID PROJECT		



Notes:

- Areas of repair are based upon inspection surveys conducted August 2004 and increased by a factor of 1.2 to compensate for further deterioration. The type of repair (depth) quantities are assumed and shall be determined by the Engineer. The Engineer shall document actual locations and types of repairs on As-Built plans.
- See Sht. SB-10 for existing reinforcement to be incorporated into new work.
- Seal cracks in abutment walls and wingwalls, greater than 1/16" wide, with Epoxy Crack Sealing as identified by the Engineer.
- Apply protective coat to new concrete surfaces of structurally repaired concrete.
- Length of Structural Repair of Concrete at abutment walls shall be limited to 13 feet between intact wall sections of no less than 10 feet in length. Repair and intact wall lengths shall be measured horizontally along the face of the abutments.
- Existing reinforcement within the removal area and extending into new work shall be cleaned, straightened and incorporated into the new construction. Any reinforcement bars that are damaged during concrete removal shall be replaced with an approved bar splicer or anchorage system. Cost shall be included with Concrete Removal.

LEGEND

- Exist. Crack
- Proposed Formed Concrete Repair
- ▨ Concrete Removal

BILL OF MATERIAL

Item	Unit	Total
Structural Repair of Concrete (depth equal to or less than 5")	Sq Ft	450
Structural Repair of Concrete (depth greater than 5")	Sq Ft	50
Epoxy Crack Sealing	Ft	10
Protective Coat	Sq Yd	56
Concrete Removal	Cu Yd	28.4

SHT. SB-9 OF 13

REVISIONS	
NAME	DATE

ILLINOIS DEPARTMENT OF TRANSPORTATION
FAI ROUTE 55 OVER CSX RR AND SUNNYLAND DRAIN
BRIDGE WIDENING
NB & SB I-55 OVER SUNNYLAND DRAIN, S.N. 099-0014 & 099-0015
STA. 491+90.44, SECTION 2006-031 BY
WILL COUNTY

SUBSTRUCTURE REMOVAL & REPAIR

SCALE: DRAWN BY MDB
DATE 07/07/06 CHECKED BY MJK



PLOT DATE: 07/07/06
 PLOT SCALE: AS SHOWN
 USER NAME: MUSER8
 SAV DOCUMENT: B2361581\STRUCT\CDMA\ABR11A44.SHT
 DARCIA\RAZ
 7-85-2085; B33411
 -ABR11A44.DGN