

F.A.I. RTE.	SECTION	COUNTY	TOTAL SHEETS	SHEET NO.
55	2006-031 BY	WILL	137	98
STA.		TO STA.		
FED. ROAD DIST. NO.		ILLINOIS FED. AID PROJECT		

Wang Engineering, INC.
 Consulting Geotechnical and Environmental Engineers
 wangeng3@wangeng.com
 1145 Main Street
 Lombard, IL 60148
 Telephone: 630 953-9928
 Fax: 630 953-9938

BORING LOG SD-01 Page 1 of 1

WEI Job No.: 555-11-01

Datum: NGVD
 Elevation: 593.47 ft
 North: 1782524.94 ft
 East: 1026017.57 ft
 Station: 491+70
 Offset: 5 RT

Client: **Illinois Department of Transportation**
 Project: **I-55 Reconstruction**
 Location: **Will County, IL**

Wang Engineering, INC.
 Consulting Geotechnical and Environmental Engineers
 wangeng3@wangeng.com
 1145 Main Street
 Lombard, IL 60148
 Telephone: 630 953-9928
 Fax: 630 953-9938

BORING LOG SD-02 Page 1 of 1

WEI Job No.: 555-11-01

Datum: NGVD
 Elevation: 593.51 ft
 North: 1782572.69 ft
 East: 1026011.08 ft
 Station: 492+18
 Offset: 1 RT

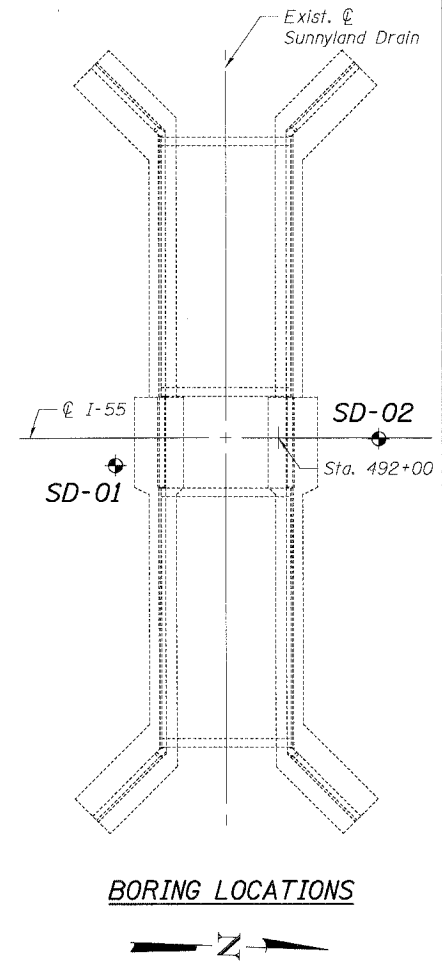
Client: **Illinois Department of Transportation**
 Project: **I-55 Reconstruction**
 Location: **Will County, IL**

Profile Elevation (ft)	SOIL AND ROCK DESCRIPTION	Depth (ft)	Sample No.	SPT Values (blows/6 in)	Qu (tsf)	Moisture Content (%)	Profile Elevation (ft)	SOIL AND ROCK DESCRIPTION	Depth (ft)	Sample No.	SPT Values (blows/6 in)	Qu (tsf)	Moisture Content (%)
593.47	Medium stiff, black, brown and CLAY with asphalt debris --FILL--	0	1	4 5 5		35			0	9	8 8 9	NP	14
		5	2	4 3 4		22			5	10	4 4 9	NP	12
		10	3	2 3 4		19	588.0 568.0 Medium stiff, gray LOAM with gravel		10	11	8 9 6	NP	10
		15	4	2 5 11	0.98 B	11	585.5 565.5 Weathered bedrock --AUGER REFUSAL--		15	12	35 60/4	NP	11
583.0	Medium stiff, black CLAY	20	5	3 4 4	0.50 P	71	583.5 563.5 Boring terminated at 30.00 ft		20				
580.5	Medium dense, gray, fine to medium SANDY LOAM	25	6	5 6 8	NP	11			25				
578.0	Medium dense, gray GRAVELLY SAND	30	7	11 13 11	NP	9			30				
575.5	Medium dense, gray, medium to coarse SAND with gravel	35	8	18 12 13	NP	8			35				

Profile Elevation (ft)	SOIL AND ROCK DESCRIPTION	Depth (ft)	Sample No.	SPT Values (blows/6 in)	Qu (tsf)	Moisture Content (%)	Profile Elevation (ft)	SOIL AND ROCK DESCRIPTION	Depth (ft)	Sample No.	SPT Values (blows/6 in)	Qu (tsf)	Moisture Content (%)
594.51	12-inch thick, black TOPSOIL --TOPSOIL--	0							0				
592.5	Very stiff, brown CLAY --FILL-- A-6 (B)-- --LL=33%, PL=17%--	1	1	3 4 5		22			1	9	4 9 8	NP	21
		5	2	3 6 10	2.25 P	19	589.0 569.0 Medium dense, gray SILT		5	10	5 6 13	NP	14
		10	3	5 14 18	NR	16	588.0 568.0 Very dense, gray SANDY LOAM		10	11	15 60 36	NP	7
		15	4	8 9 9	NP	10	585.5 565.5 Weathered bedrock		15				
585.5	Medium dense, brown SAND --FILL--	20	5	4 8 13	0.75 P	49	585.5 565.5 Strong, slightly weathered, gray and white, finely crystalline DOLOSTONE RUN#1 (28'-38') REC=93% RQD=75%		20				
583.0	Medium stiff, black CLAY	25	6	11 16 15	NR				25				
580.5	Medium dense to dense, gray SAND	30	7	7 11 6	NP	13			30				
		35	8	4 8 13	NP	19			35				

GENERAL NOTES		WATER LEVEL DATA	
Begin Drilling	12-28-2005	Complete Drilling	12-28-2005
Drilling Contractor	DLZ	Drill Rig	D-120 TMR
Driller	J & J	Logger	B. Panozzo
Checked by	L. Iordache	Time After Drilling	NA
Drilling Method	3.25 IDA HSA, Boring backfilled upon completion	Depth to Water	15.00 ft

GENERAL NOTES		WATER LEVEL DATA	
Begin Drilling	01-03-2006	Complete Drilling	01-03-2006
Drilling Contractor	DLZ	Drill Rig	D-120 TMR
Driller	J & J	Logger	B. Panozzo
Checked by	L. Iordache	Time After Drilling	NA
Drilling Method	3.25 IDA HSA, Boring backfilled upon completion	Depth to Water	13.50 ft



ILLINOIS DEPARTMENT OF TRANSPORTATION
 FAI ROUTE 55 (OVER CSX RR AND SUNNYLAND DRAIN)
 BRIDGE WIDENING
 NB & SB I-55 OVER SUNNYLAND DRAIN, S.N. 099-0014 & 099-0015
 STA. 491+90.44, SECTION 2006-031 BY
 WILL COUNTY

BORING LOGS

SCALE: _____ DRAWN BY: MDB
 DATE: 07/07/06 CHECKED BY: MJK
TENG TENG & ASSOCIATES, INC.
 ENGINEERS/ARCHITECTS/PLANNERS
 CHICAGO, ILLINOIS

SHT. SB-13 OF 13

REVISIONS	
NAME	DATE

PLOT DATE = 07/07/06
 PLOT SCALE = 1"=20'
 USER NAME = USER